

6

5

4

3




2

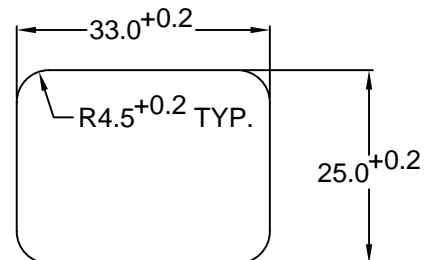
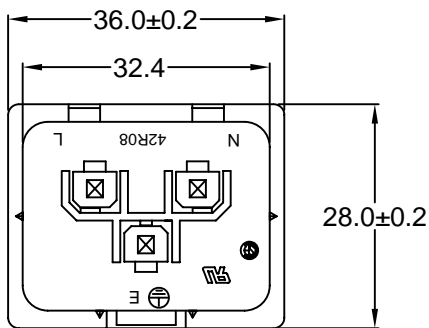
1

MATERIAL AND FINISH:

Insulator: Polycarbonate, UL-94V-0 rated
Contacts: Brass, Nickel plated

ELECTRICAL SPECIFICATIONS:

Current rating: 16 A 
Voltage rating: 250 VAC
Current rating: 20 A  
Voltage rating: 250 VAC
Insulation resistance: 100 Mohm min. at 500 VDC
Dielectric withstanding voltage: 2000 VAC for one minute



RECOMMENDED
PANEL CUTOUT

MECHANICAL SPECIFICATIONS:

Recommended Soldering Temp: 235°C
Recommended Soldering Time: 5 sec. max.

ORDERING CODE:

42R08-3 -
 1 2 3

- 1) COLOR
1 = BLACK
2 = GRAY

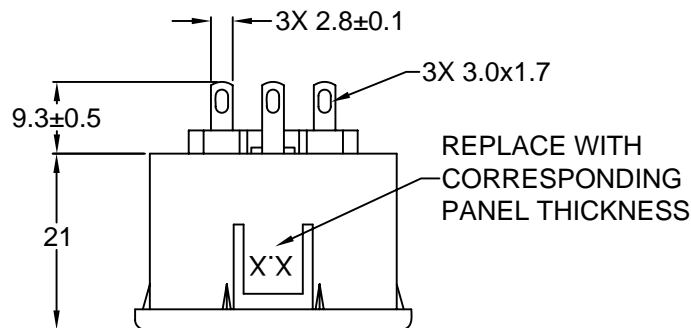
2) ELECTRICAL CIRCUIT CONFIGURATION

1 = 20A 250V 70°C
2+GROUND 

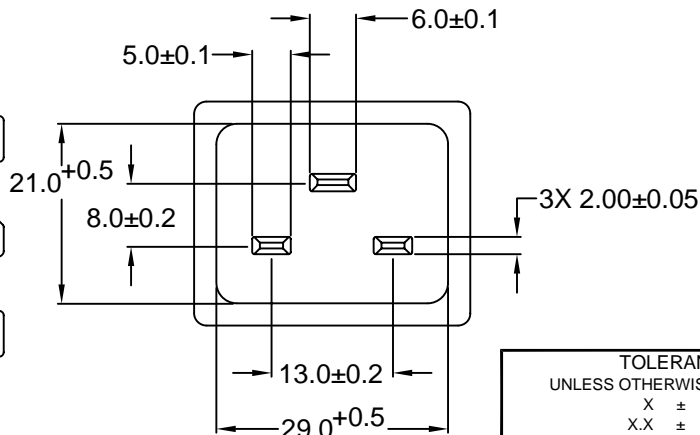
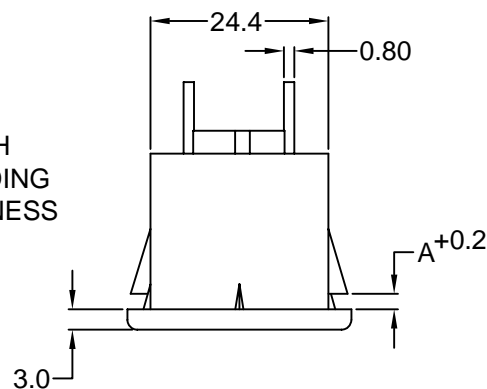
2 = 20A 250V 155°C
2+GROUND 

4 = 20A 250V 70°C
2 POLE 

3) PANEL THICKNESS



REPLACE WITH
CORRESPONDING
PANEL THICKNESS



P/N	A	MAX. PANEL THICKNESS
42R08-3X2X-100	1.0	1.0
42R08-3X2X-150	1.5	1.5
42R08-3X2X-200	2.0	2.0
42R08-3X2X-250	2.5	2.5

ADDITIONAL PANEL THICKNESS
AVAILABLE ON REQUEST

REV	DATE	CHANGE	CHNG CHECK APPR		
			PB	TD	PB
A	10/8/04	ADD SOLDER TEMP & TIME	PB	TD	
B	7/2/07	ADD 1.0 PANEL & RoHS	PB	PB	
C	7/17/09	TERM. DIM.	PB	PB	

TOLERANCE UNLESS OTHERWISE SPECIFIED		
X	±	1
X.X	±	0.4
X.XX	±	0.20

DRAWN BY	GQ	DATE:	08/24/01
CHECK BY	TD	DATE:	08/29/01
APPR BY	PB	DATE:	08/29/01

**RoHS
COMPLIANT**

Power Dynamics, Inc.

Phone: 973 560-0019 Whippany, New Jersey Fax: 973 560-0076

PART: 16/20A IEC 60320 APPL. INLET; SOLDER
TERMINALS; SNAP-IN, PANEL MOUNT

PART #: 42R08-3X2X-XXX		SHEET 1 of 1
SIZE: A	ALL DIMENSIONS FOR REFERENCE ONLY DIMENSIONS ARE IN MILLIMETERS	REV: C
SCALE: NTS		

6

5

4

3

2

1