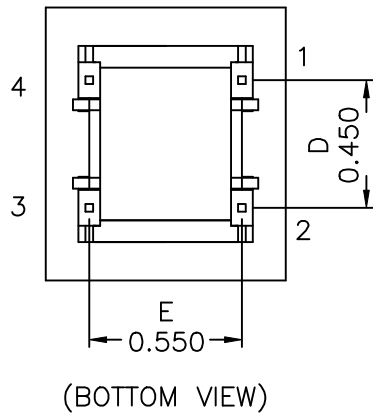
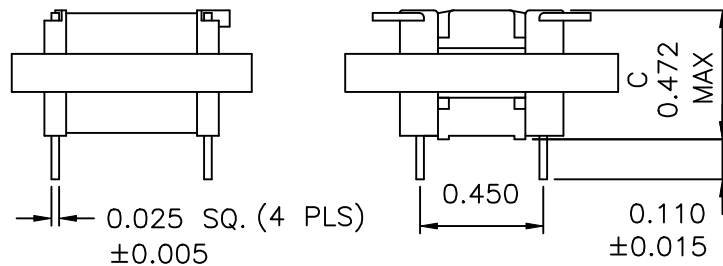
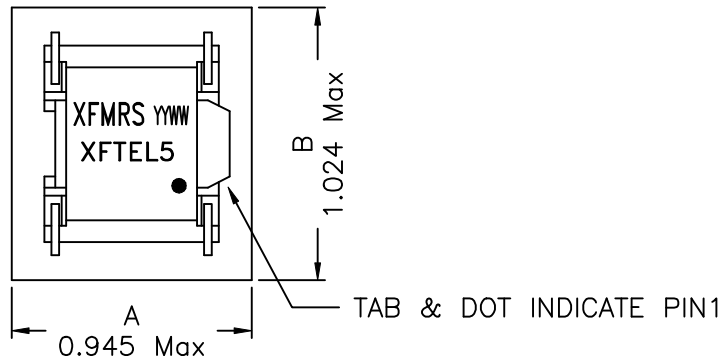
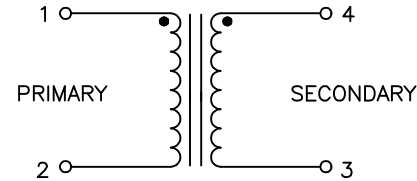


1. Mechanical:



2. Schematic:



3. Electrical Specifications:

Turns Ratio: 1:1 ±2%

Impedance: Designed to reflect 600 ohms on PRI with 301 ohms load on SEC.

OCL: 20H Minimum @120Hz 1.0V Lp (28H Typical)

PRI. DCR: 150 ±10% OHMS @20°C

SEC. DCR: 150 ±10% OHMS @20°C

Frequency Response: ±0.25dB, @200Hz - 4KHz

Insertion Loss: 3.0 ±0.5dB, @1KHz 20°C

Return Loss: 30dB Typical at 1KHz vs. 600 ohms

HIPOT: 1250VAC 0.5mA 2 Sec (PRI TO SEC)

Note:

1. Solderability: Leads shall meet MIL-STD-202, Method 208D for solderability.
2. Flammability: UL94V-0,
3. ASTM oxygen index: > 28% ,
4. Temperature rating: 155°C. UL file E151556,
5. Operating Temperature Range: -40°C to +85°C

DOC. REV. A/4

XFMRS Inc		Title: MODEM TRANSFORMER	
UNLESS OTHERWISE SPECIFIED		P/N: XFTEL5	REV. A
TOLERANCES:		DWN.	廖玉坤 Apr-03-01
.xxx ±0.010		CHK.	李清儿 Apr-03-01
Dimensions in Inch		APP.	Joe Huff Apr-03-01
SHEET 1 OF 1			