

Flyback Transformer P/N T-907

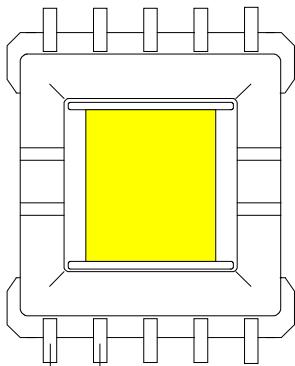
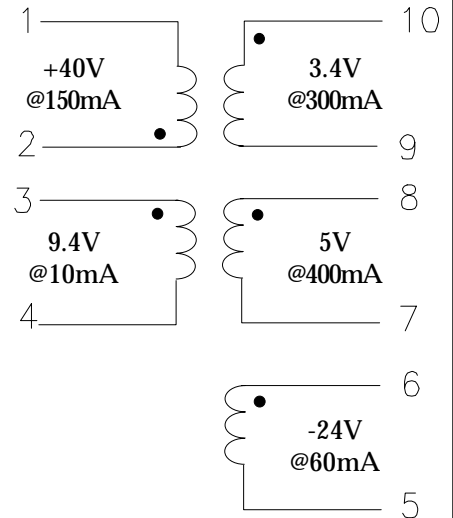
10-12 WATTS

Parameter	Min.	Typ.	Max.	Units
Inductance (1-2)		2.2		mH
¹ Leakage Inductance		5.6		μH
² Interwinding Capacitance		30		pF
DC Resistance (1-2)		0.52		Ω
(3-4)		0.65		Ω
(5-6)		0.88		Ω
(7-8)		0.02		Ω
(9-10)		0.01		Ω
Hi-Pot Pins (1-2) to (4-3) + (5-6) (7-8) + (9+10)	3000			V _{RMS}
Operating Frequency		100		kHz

¹Connected 1-2, shorted 3,4,5,6,7,8,9,10 (10KHz - 100mV)

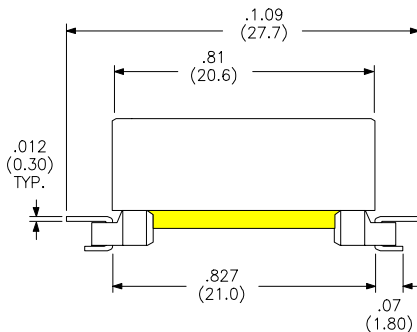
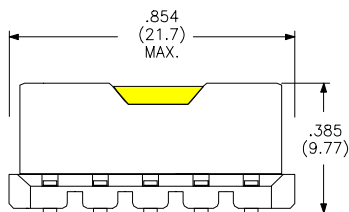
²Connected 1-10, shorted 4-5, 6-7, 8-9 (10KHz - 100mV)

Schematic Diagram

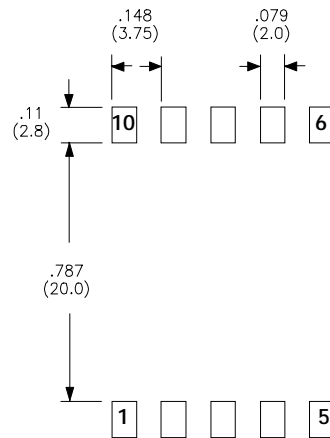


.148
(3.75)
TYP.

.039
(1.00)
TYP.



Physical Dimensions inches (mm)



Suggested Solder Pad Layout

5/21/97