

# Aluminum Electrolytic Capacitors

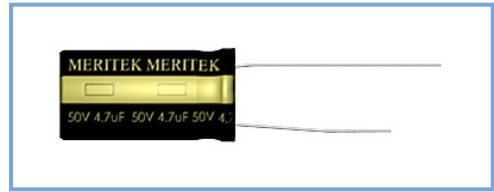


**REL Series**  
(Long Life, Low Impedance)

**MERITEK**

## FEATURES

- Low impedance, long life and high reliability with standing 5000 hours load life.
- Suitable for electronic ballast, adaptor and switching power



## SPECIFICATIONS

Item	Characteristic							
Operating Temp Range	- 40 ~ +105°C							
Rated Working Voltage	6.3 ~ 63VDC							
Capacitance Tolerance (120Hz 20°C)	± 20%(M)							
Leakage Current (20°C)	I ≤ 0.01CV or 3 (uA) * Whichever is greater after 2 minutes				I : Leakage Current (μA) C : Rated Capacitance(μF) V : Working Voltage (V)			
Surge Voltage (20°C)	W.V.	6.3	10	16	25	35	50	63
	S.V.	8	13	20	32	44	63	79
Dissipation Factor ( tan δ ) (120Hz 20°C)	add 0.02 per 1000uF for more than 1000uF							
	W.V.	6.3	10	16	25	35	50	63
	tan δ	0.22	0.19	0.16	0.14	0.12	0.10	0.09
Low Temperature Stability	Impedance ratio at 120Hz							
	Rated Voltage (V)	6.3	10	16	25	35	50	63
	-25°C / +20°C	2	2	2	2	2	2	2
	-40°C / +20°C	3	3	3	3	3	3	3
Load Life	After hours (φ5~6.3mm 2000hrs, φ8mm 3000hrs, φD ≥10mm 5000hrs) application of W.V. and +105°C ripple current value, the capacitor shall meet the following limits. ( DC + ripple peak voltage ≤ rated working voltage )							
	Capacitance Change	≤ ±25% of initial value.						
	Dissipation Factor	≤ 200% of initial specified value						
	Leakage Current	≤ initial specified value						
Shelf Life	At +105°C no voltage application after 1000 hours the capacitor shall meet the following limits. ( with voltage treatment )							
	Capacitance Change	≤ ±20% of initial value.						
	Dissipation Factor	≤ 200% of initial specified value						
	Leakage Current	≤ 200% of initial specified value						

## PART NUMBER SYSTEM

**REL 6R3V 101 M TA 5x11**

Meritek Series

Rated Voltage

Rated Capacitance

Express in micro farad(μF), First two digits are significant figures, Third digit denotes number of zeros. 'R' denotes decimal point for values less than 10uF

Tolerance

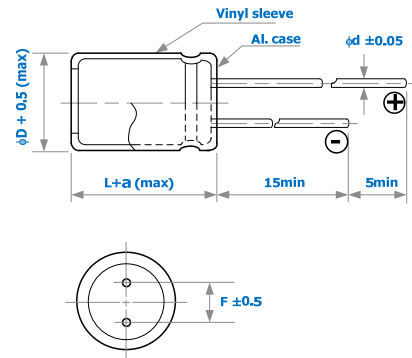
M - ±20%

Package

Code	TA	TR	Blank
	Tape & Ammo	Tape & Reel	

Case size – (D) Diameter x (L) Length in mm (Optional)

## DIMENSIONS (mm)



φD	5	6.3	8	10	12.5	16
F	2.0	2.5	3.5	5.0	5.0	7.5
d	0.5	0.5	0.6	0.6	0.6	0.8
a	1.5	1.5	1.5	1.5	1.5	1.5

# Aluminum Electrolytic Capacitors



**REL Series**  
(Long Life, Low Impedance)

**MERITEK**

## RIPPLE CURRENT COEFFICIENTS

Frequency(Hz)	60	120	400	1k	10k	100k
W.V.	Multiplier					
6.3~16V	0.45	0.60	0.83	0.94	0.98	1.00
25~35V	0.38	0.50	0.75	0.90	0.97	1.00
50~63V	0.36	0.46	0.70	0.88	0.94	1.00

Temperature(°C)	65	75	85	95	105
Multiplier	2.12	1.92	1.69	1.50	1.00

## CASE SIZE & MAX RIPPLE CURRENT

Case size : DxL (mm)  
 Max. impedance : Ω 20°C 100kHz  
 Max. ripple current : A(rms) 105°C 100kHz

Cap. (uF)	V Item	6.3			10			16		
		DxL	IMP	R.C.	DxL	IMP	R.C.	DxL	IMP	R.C.
10								5x11	1.300	0.09
56								5x11	0.300	0.25
100		5x11	0.300	0.25	5x11	0.300	0.25	6.3x11	0.250	0.36
120		6.3x11	0.280	0.26	6.3x11	0.280	0.26	6.3x11	0.130	0.41
220		6.3x11	0.130	0.41	6.3x11	0.130	0.41	8x11.5	0.120	0.58
330		8x11.5	0.110	0.54	8x11.5	0.110	0.54	8x11.5	0.072	0.76
470		8x11.5	0.072	0.76	8x11.5	0.072	0.76	8x15	0.056	1.00
	10x12.5							0.053	1.03	
680		8x15	0.056	1.00	8x15	0.056	1.00	8x20	0.041	1.25
		10x12.5	0.053	1.03	10x12.5	0.053	1.03	10x16	0.038	1.43
820		8x20	0.050	1.05	8x20	0.050	1.05	10x20	0.036	1.45
1000		8x20	0.041	1.25	8x20	0.041	1.25	10x20	0.023	1.82
		10x16	0.038	1.43	10x16	0.038	1.43			
1200		10x20	0.023	1.82	10x20	0.023	1.82	10x25	0.022	2.15
1500		10x25	0.022	2.15	10x25	0.022	2.15	12.5x20	0.021	2.36
2200		12.5x20	0.021	2.36	12.5x20	0.021	2.36	12.5x25	0.018	2.77
3300		12.5x25	0.018	2.77	12.5x25	0.018	2.77	12.5x35	0.015	3.40
3900		12.5x30	0.016	3.29	12.5x30	0.016	3.29	16x25	0.016	3.46
		16x20	0.018	3.14	16x20	0.018	3.14			
4700		12.5x35	0.015	3.40	12.5x35	0.015	3.40			
5600		16x25	0.016	3.46	16x25	0.016	3.46			

Cap. (uF)	V Item	25			35		
		DxL	IMP	R.C.	DxL	IMP	R.C.
10		5x11	1.030	0.13	5x11	0.800	0.17
33		5x11	0.500	0.21	5x11	0.300	0.25
47		5x11	0.300	0.25	6.3x11	0.280	0.27
56		5x11	0.280	0.26	6.3x11	0.130	0.41
100		6.3x11	0.130	0.41	8x11.5	0.125	0.50
120		6.3x15	0.130	0.49	8x11.5	0.120	0.59
150		8x11.5	0.110	0.54	8x11.5	0.072	0.76
220		8x11.5	0.072	0.76	8x15	0.056	1.00
					10x12.5	0.053	1.03
330		8x15	0.056	1.00	10x16	0.038	1.43
		10x12.5	0.053	1.03			

# Aluminum Electrolytic Capacitors



**REL Series**  
(Long Life, Low Impedance)

**MERITEK**

## CASE SIZE & MAX RIPPLE CURRENT

Case size : DxL (mm)  
 Max. impedance :  $\Omega$  20°C 100kHz  
 Max. ripple current : A(rms) 105°C 100kHz

Cap. (uF)	V Item	25			35		
		DxL	IMP	R.C.	DxL	IMP	R.C.
470	8x20	0.041	1.25	10x20	0.023	1.82	
	10x16	0.038	1.43				
560	10x20	0.036	1.50	10x25	0.022	2.15	
680	10x20	0.023	1.82	12.5x20	0.021	2.36	
820	10x25	0.022	2.15	12.5x20	0.020	2.45	
1000	12.5x20	0.021	2.36	12.5x25	0.018	2.77	
1200	12.5x20	0.019	2.46	12.5x30	0.016	3.29	
				16x20	0.018	3.14	
1500	12.5x25	0.018	2.77	12.5x35	0.015	3.40	
1800	12.5x30	0.016	3.29	16x25	0.016	3.46	
	16x20	0.018	3.14				
2200	12.5x35	0.015	3.40				

Cap. (uF)	V Item	50			63		
		DxL	IMP	R.C.	DxL	IMP	R.C.
22	5x11	0.340	0.24	6.3x11	0.726	0.22	
33	6.3x11	0.320	0.28	6.3x15	0.564	0.30	
47	6.3x11	0.310	0.34	8x11.5	0.453	0.38	
56	6.3x11	0.140	0.39	8x11.5	0.404	0.42	
100	8x11.5	0.074	0.72	10x16	0.264	0.54	
120	8x15	0.061	0.95	10x16	0.220	0.73	
150	10x12.5	0.061	0.98	10x16	0.187	0.80	
180	8x20	0.046	1.19	10x20	0.153	0.90	
220	10x16	0.042	1.37	10x25	0.133	1.08	
330	10x25	0.028	1.87	12.5x20	0.113	1.33	
470	12.5x20	0.027	2.05	12.5x25	0.091	1.66	
560	12.5x25	0.023	2.41	16x25	0.074	2.19	
680	12.5x30	0.021	2.86	16x25	0.059	2.24	
820	12.5x35	0.019	2.96	16x31.5	0.054	2.72	
	16x20	0.023	2.73				
1000	16x25	0.021	3.01	16x35.5	0.048	3.17	