

33A

T-43-15-00



## DM74ALS33A Quadruple 2-Input NOR Buffer with Open-Collector Outputs

### General Description

This device contains four independent gates, each of which performs the logic NOR function. The open-collector outputs require external pull-up resistors for proper logical operation.

### Pull-Up Resistor Equations

$$R_{MAX} = \frac{V_{CC} (Min) - V_{OH}}{N_1 (I_{OH}) + N_2 (I_{IH})}$$

$$R_{MIN} = \frac{V_{CC} (Max) - V_{OL}}{I_{OL} - N_3 (I_{IL})}$$

Where:  $N_1 (I_{OH})$  = total maximum output high current for all outputs tied to pull-up resistor

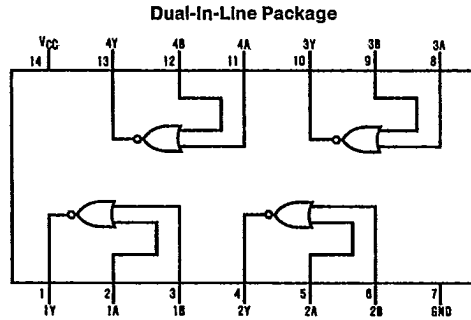
$N_2 (I_{IH})$  = total maximum input high current for all inputs tied to pull-up resistor

$N_3 (I_{IL})$  = total maximum input low current for all inputs tied to pull-up resistor

### Features

- Switching specifications at 50 pF
- Switching specifications guaranteed over full temperature and  $V_{CC}$  range
- Advanced oxide-isolated, ion-implanted Schottky TTL process
- Functionally and pin for pin compatible with LS TTL counterpart
- Improved AC performance over LS33
- Improved line receiving characteristics

### Connection Diagram



TL/F/6191-1

Order Number DM74ALS33AM or DM74ALS33AN  
See NS Package Number M14A or N14A

### Function Table

$$Y = \overline{A + B}$$

Inputs		Output
A	B	Y
L	L	H
L	H	H
H	L	H
H	H	L

H = High Logic Level  
L = Low Logic Level

33A

**Absolute Maximum Ratings**

T-43-15

Supply Voltage	7V
Input Voltage	7V
High Level Output Voltage	7V
Operating Free Air Temperature Range DM74ALS	0°C to +70°C
Storage Temperature Range	-65°C to +150°C
Typical $\theta_{JA}$	
N Package	83.0°C/W
M Package	114.0°C/W

Note: The "Absolute Maximum Ratings" are those values beyond which the safety of the device cannot be guaranteed. The device should not be operated at these limits. The parametric values defined in the "Electrical Characteristics" table are not guaranteed at the absolute maximum ratings. The "Recommended Operating Conditions" table will define the conditions for actual device operation.

**Recommended Operating Conditions**

Symbol	Parameter	DM74ALS33A			Units
		Min	Nom	Max	
V <sub>CC</sub>	Supply Voltage	4.5	5	5.5	V
V <sub>IH</sub>	High Level Input Voltage	2			V
V <sub>IL</sub>	Low Level Input Voltage			0.8	V
V <sub>OH</sub>	High Level Output Voltage			5.5	V
I <sub>OL</sub>	Low Level Output Current			24	mA
T <sub>A</sub>	Free Air Operating Temperature	0		70	°C

**Electrical Characteristics**

over recommended operating free air temperature range. All typical values are measured at V<sub>CC</sub> = 5V, T<sub>A</sub> = 25°C.

Symbol	Parameter	Conditions	Min	Typ	Max	Units
V <sub>IK</sub>	Input Clamp Voltage	V <sub>CC</sub> = 4.5V, I <sub>I</sub> = -18 mA			-1.5	V
I <sub>OH</sub>	High Level Output Current	V <sub>CC</sub> = 4.5V, V <sub>OH</sub> = 5.5V			100	μA
V <sub>OL</sub>	Low Level Output Voltage	V <sub>CC</sub> = 4.5V, V <sub>IH</sub> = 2V, I <sub>OL</sub> = 12 mA		0.25	0.4	V
		I <sub>OL</sub> = 24 mA		0.35	0.5	V
I <sub>I</sub>	Input Current @ Max. Input Voltage	V <sub>CC</sub> = 5.5V, V <sub>IH</sub> = 7V			0.1	mA
I <sub>IH</sub>	High Level Input Current	V <sub>CC</sub> = 5.5V, V <sub>IH</sub> = 2.7V			20	μA
I <sub>IL</sub>	Low Level Input Current	V <sub>CC</sub> = 5.5V, V <sub>IL</sub> = 0.4V			-0.1	mA
I <sub>CCH</sub>	Supply Current with Outputs High	V <sub>CC</sub> = 5.5V, V <sub>I</sub> = 0V		1.7	2.8	mA
I <sub>CCL</sub>	Supply Current with Outputs Low	V <sub>CC</sub> = 5.5V, V <sub>I</sub> = 4.5V		4.8	9	mA

**Switching Characteristics** over recommended operating free air temperature range (Note 1)

Symbol	Parameter	Conditions	DM74ALS33A		Units
			Min	Max	
t <sub>PLH</sub>	Propagation Delay Time Low to High Level Output	V <sub>CC</sub> = 4.5V to 5.5V, R <sub>L</sub> = 680Ω, C <sub>L</sub> = 50 pF	10	33	ns
t <sub>PHL</sub>	Propagation Delay Time High to Low Level Output		2	12	ns

Note 1: See Section 1 for test waveforms and output load.

