

PLEASE CHECK WWW.MOLEX.COM FOR LATEST PART INFORMATION

Part Number: [0473632002](#)
Status: **Active**
Description: 1.27mm (.050") Pitch Combo SAS Cable Connector, Right Angle Type, with Arris on both surface, 0.38µm (15µ") Gold(Au) Plating, 22 Circuits, LeadFree

Documents:

[3D Model](#) [Product Specification PS-47362-001 \(PDF\)](#)
[Drawing \(PDF\)](#) [RoHS Certificate of Compliance \(PDF\)](#)

General

| | |
|----------------|-----------------------|
| Product Family | I/O Connectors |
| Series | 47363 |
| Application | Wire-to-Board |
| Component Type | Receptacle |
| Product Name | SAS |
| Type | N/A |

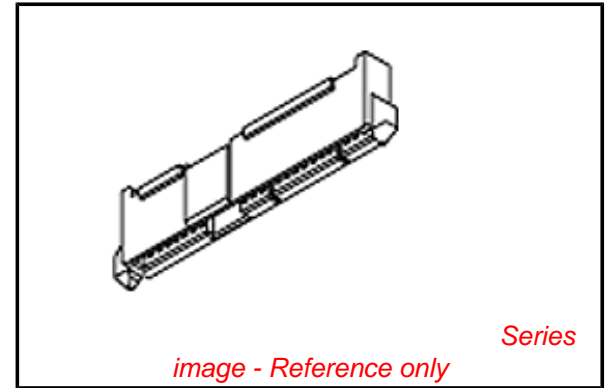
Physical

| | |
|--------------------------------|--------------------|
| Boot Color | N/A |
| Circuits (Loaded) | 22 |
| Circuits (maximum) | 22 |
| Circuits Detail | Signal 7, Power 15 |
| Durability (mating cycles max) | 50 |
| Gender | Receptacle |
| Keying to Mating Part | Yes |
| Lock to Mating Part | Yes |
| Material - Metal | Copper Alloy |
| Material - Plating Mating | Gold |
| Material - Plating Termination | Tin |
| Number of Rows | 1 |
| Orientation | Right Angle |
| PCB Locator | No |
| PCB Retention | None |
| Packaging Type | Tray |
| Panel Mount | No |
| Pitch - Mating Interface (in) | 0.050 In |
| Pitch - Mating Interface (mm) | 1.27 mm |
| Pitch - Term. Interface (in) | 0.050 In |
| Pitch - Term. Interface (mm) | 1.27 mm |
| Plating min: Mating (µin) | 15 |
| Plating min: Mating (µm) | 0.38 |
| Plating min: Termination (µin) | 50 |
| Plating min: Termination (µm) | 1.27 |
| Polarized to Mating Part | Yes |
| Polarized to PCB | Yes |
| Ports | 2 |
| Temperature Range - Operating | -35°C to +85°C |
| Termination Interface: Style | Through Hole |
| Waterproof / Dustproof | No |
| Wire Size AWG | N/A |

Electrical

| | |
|-------------------------------|--------|
| Current - Maximum per Contact | 1.5A |
| Voltage - Maximum | 15V DC |

Material Info



EU RoHS

**ELV and RoHS
Compliant**
REACH SVHC
 Not Reviewed
**Halogen-Free
Status**

China RoHS



Not Reviewed

**Need more information on product
environmental compliance?**

Email productcompliance@molex.com
 For a multiple part number RoHS Certificate of Compliance, [click here](#)

Please visit the [Contact Us](#) section for any non-product compliance questions.

Search Parts in this Series

[47363Series](#)

Reference - Drawing Numbers

Product Specification
Sales Drawing

PS-47362-001
SD-47363-100

This document was generated on 04/02/2010

PLEASE CHECK WWW.MOLEX.COM FOR LATEST PART INFORMATION

F

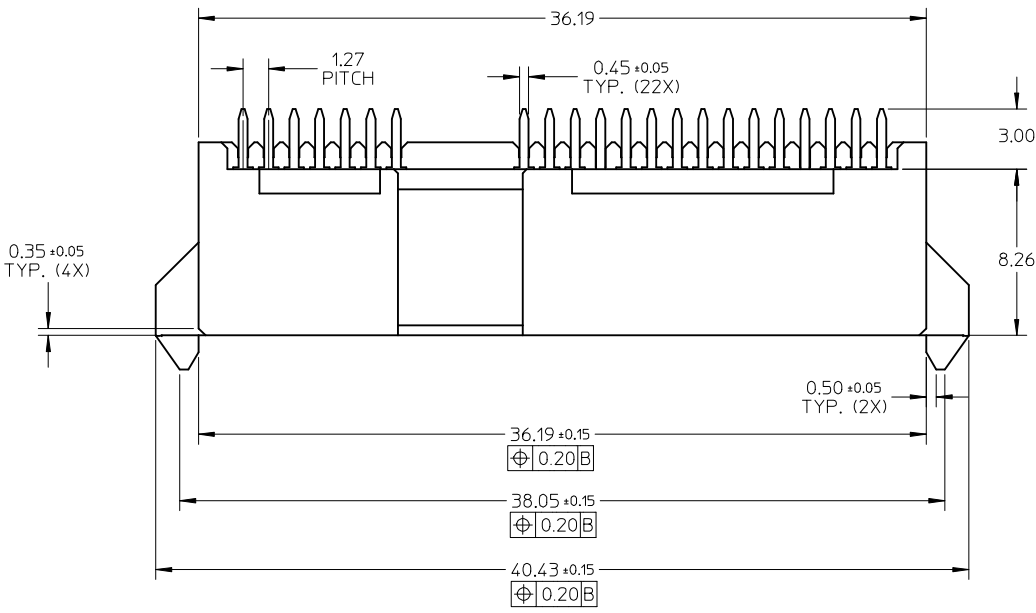
E

D

C

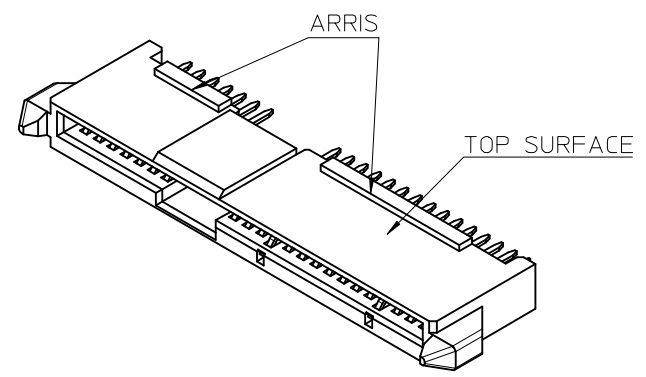
B

A

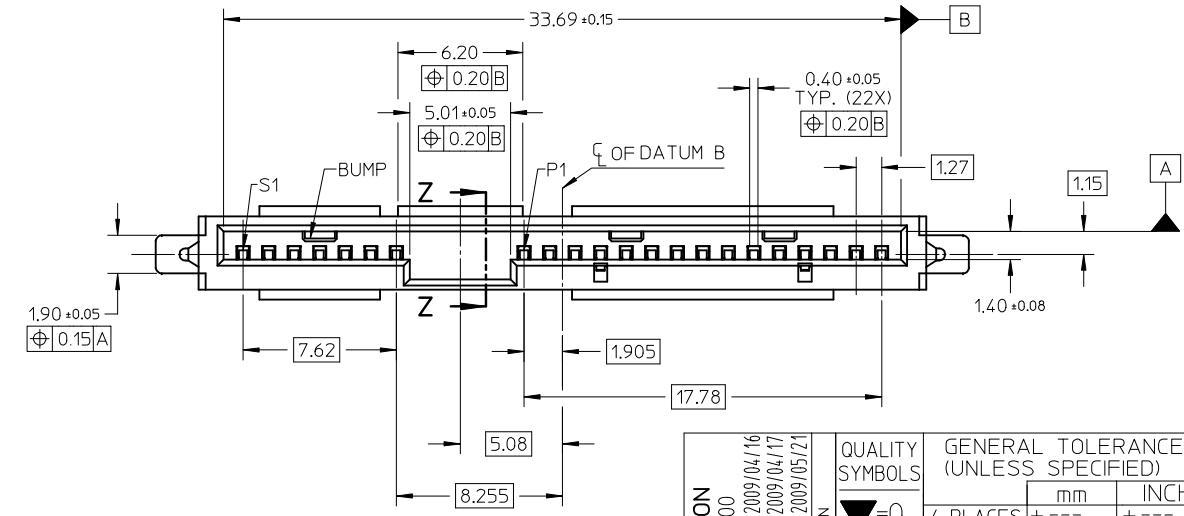
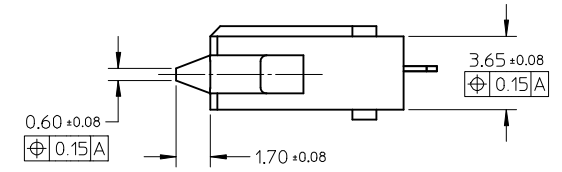


NOTES:

1. MATERIAL:
HOUSING: THERMAL PLASTIC, GLASS FILLED, UL94V-0, COLOR: BLACK.
TERMINAL: COPPER ALLOY, THICKNESS=0.25MM.
2. TERMINAL PLATING:
CONTACT AREA: GOLD PLATED, SEE TABLE.
SOLDER AREA: PURE TIN, THICKNESS=1.27 MICRONS MINIMUM.
UNDER PLATE: NICKLE, THICKNESS=1.27 MICRONS MINIMUM.
3. PRODUCT SPECIFICATION: REFER TO PS-47362-001.
4. PACKAGING METHOD: REFER TO PK-47362-001.
5. PRODUCT COMPLIANT TO RoHS DIRECTIVE 2002/95/EC AND ELV DIRECTIVE 2000/53/EC



STRAIGHT TYPE

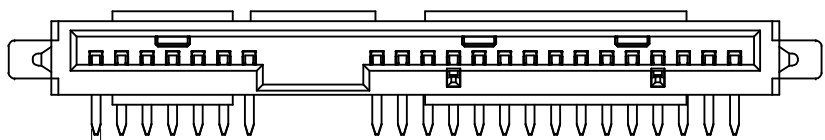
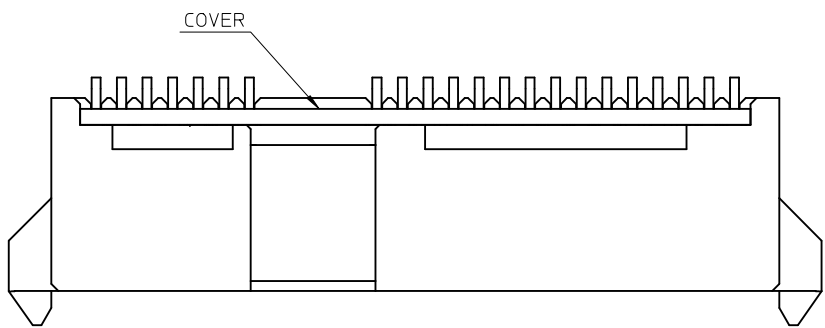
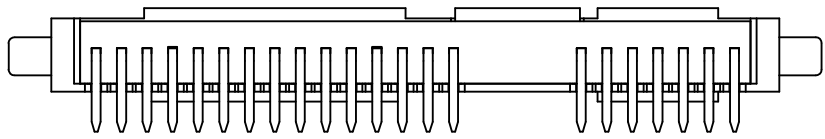


| | | | | |
|----------------|--------------------|-------------|-------------|------------|
| ADD NEW OPTION | EC NO: SH2009-0500 | 2009/04/16 | 2009/04/17 | 2009/05/21 |
| DRWN: XJ SONG | CHKD: XJ SONG | APPR: HWANG | DESCRIPTION | |
| REV | | | | |

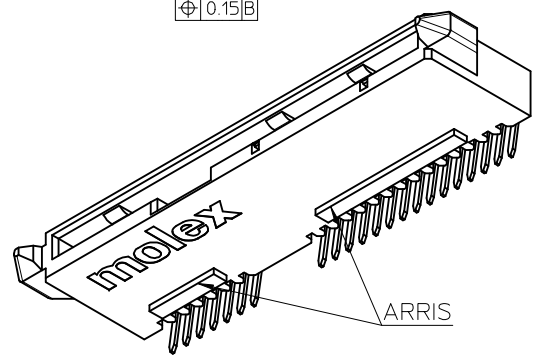
| | |
|-----------------|-----|
| QUALITY SYMBOLS | ▽=0 |
| | ∇=0 |

| | | | |
|--|----------|-------|---------|
| GENERAL TOLERANCES (UNLESS SPECIFIED) | mm | INCH | |
| | 4 PLACES | ± 0.2 | ± 0.008 |
| | 3 PLACES | ± 0.3 | ± 0.012 |
| | 2 PLACES | ± 0.4 | ± 0.016 |
| | 1 PLACE | ± 0.5 | ± 0.020 |
| ANGULAR ± 3° | | | |
| DRAFT WHERE APPLICABLE MUST REMAIN WITHIN DIMENSIONS | | | |

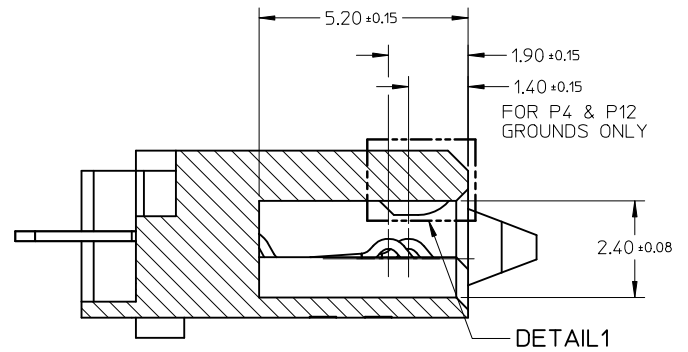
| | | | | |
|---|------------|--------------------------------|--------------|------------------------|
| DIMENSION STYLE | | SCALE | DESIGN UNITS | THIRD ANGLE PROJECTION |
| MM ONLY | | 4:1 | METRIC | |
| DRAWN BY | DATE | TITLE | | |
| BCHEN26 | 2005/12/05 | COMBO SAS RECEPTACLE CABLE END | | |
| CHECKED BY | DATE | MOLEX INCORPORATED | | |
| DIXON | 2005/12/05 | SD-47363-100 | | |
| APPROVED BY | DATE | SHEET NO. | | |
| GRATE | 2005/12/05 | 1 OF 5 | | |
| MATERIAL NO. | SEE SHEETS | | | |
| THIS DRAWING CONTAINS INFORMATION THAT IS PROPRIETARY TO MOLEX INCORPORATED AND SHOULD NOT BE USED WITHOUT WRITTEN PERMISSION | | | | |



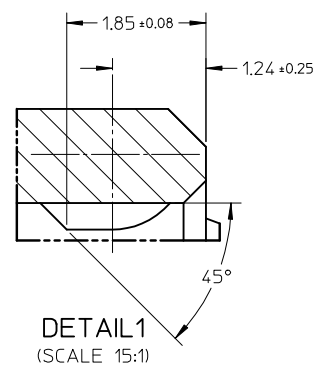
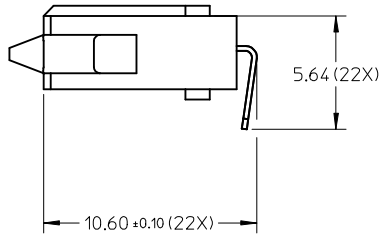
0.45 ± 0.05
TYP. (22X)
⌀ 0.15



RIGHT ANGLE(90 DEGREE) TYPE
OTHER DIMENSIONS REFER TO STRAIGHT TYPE



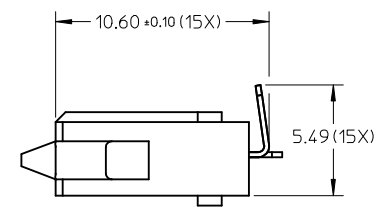
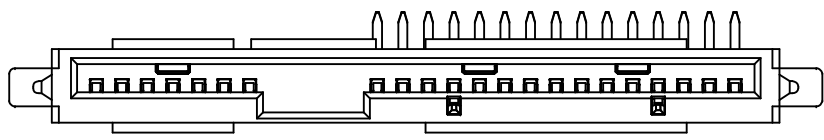
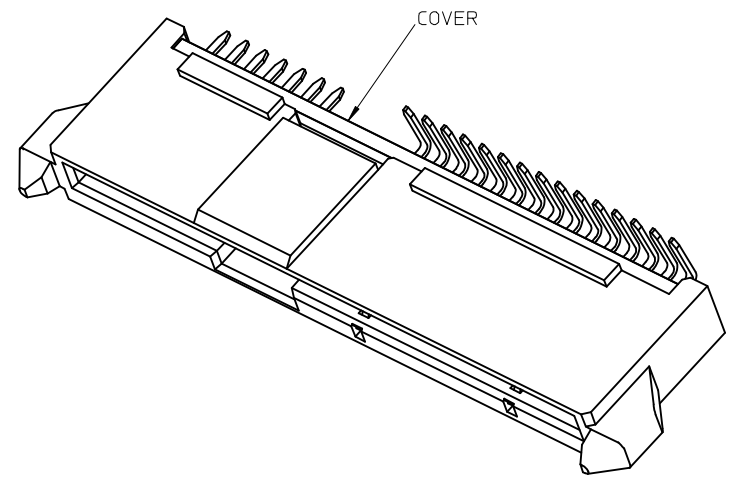
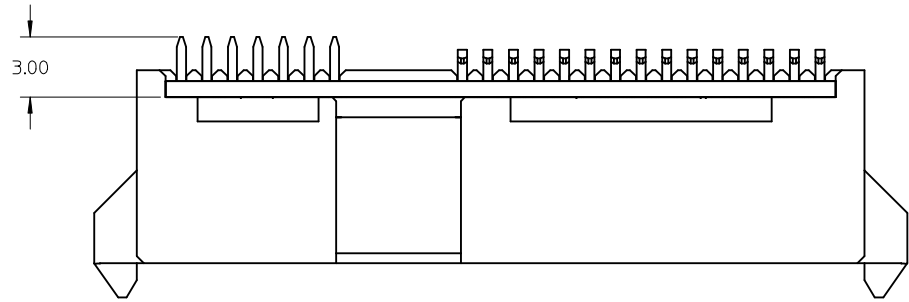
SECTION Z-Z
(SCALE 8:1)



DETAIL 1
(SCALE 15:1)

| | | | | | | | | |
|---|---|--|----------------------|----------------------------|--------------------|---|------------------------|------------------------|
| SEE SHEET 1 EC NO: SHZ009-0500 TDRWNX:J.SONG 2009/04/16 CHKDX:J.SONG 2009/04/17 APPR:HWANG 2009/05/21 | QUALITY SYMBOLS | GENERAL TOLERANCES (UNLESS SPECIFIED) | | DIMENSION STYLE MM ONLY | | SCALE 4:1 | DESIGN UNITS METRIC | THIRD ANGLE PROJECTION |
| | ▽=0 ∇=0 | mm | INCH | DRAWN BY BCHEN26 | DATE 2005/12/05 | TITLE COMBO SAS RECEPTACLE CABLE END | | |
| | | 4 PLACES ± --- ± --- | 3 PLACES ± --- ± --- | CHECKED BY DIXON | DATE 2005/12/05 | MOLEX INCORPORATED | | |
| | | 2 PLACES ± 0.2 ± --- | 1 PLACE ± 0.25 ± --- | APPROVED BY GRATE | DATE 2005/12/05 | DOCUMENT NO. SD-47363-100 | | |
| DESCRIPTION | ANGULAR ± 3 ° | DRAFT WHERE APPLICABLE MUST REMAIN WITHIN DIMENSIONS | | MATERIAL NO. SEE SHEETS | | SHEET NO. 2 OF 5 | | |
| REV | THIS DRAWING CONTAINS INFORMATION THAT IS PROPRIETARY TO MOLEX INCORPORATED AND SHOULD NOT BE USED WITHOUT WRITTEN PERMISSION | | SIZE A3 | | | | | |

10 9 8 7 6 5 4 3 2 1



COMPOSITE TYPE
OTHER DIMENSIONS REFER TO STRAIGHT TYPE OR RIGHT ANGLE(90 DEGREE) TYPE.

| | | | | | | | | |
|---|--------------------|--|---|--|-------|--------------|--------------------------------|--|
| SEE SHEET1 EC NO: SHZ009-0500 TDR:WXYJSONG 2009/04/16 CHKD:XJSONG 2009/04/17 APPR:HWANG 2009/05/21 | DESCRIPTION REV | QUALITY SYMBOLS | GENERAL TOLERANCES (UNLESS SPECIFIED) mm INCH 4 PLACES ± --- ± --- 3 PLACES ± --- ± --- 2 PLACES ± 0.2 ± --- 1 PLACE ± 0.25 ± --- ANGULAR ± 3 ° DRAFT WHERE APPLICABLE MUST REMAIN WITHIN DIMENSIONS | DIMENSION STYLE | SCALE | DESIGN UNITS | THIRD ANGLE PROJECTION | |
| | | ▽=0 ◻=0 | | MM ONLY | 4:1 | METRIC | ☉ ◻ THIRD ANGLE PROJECTION | |
| | | DRAWN BY: BCHEN26 CHECKED BY: DIXON APPROVED BY: GRATE | | DATE: 2005/12/05 DATE: 2005/12/05 DATE: 2005/12/05 | TITLE | | COMBO SAS RECEPTACLE CABLE END | |
| | | MATERIAL NO. | | DOCUMENT NO. | | SHEET NO. | | |
| | | SEE SHEETS | | SD-47363-100 | | 3 OF 5 | | |
| THIS DRAWING CONTAINS INFORMATION THAT IS PROPRIETARY TO MOLEX INCORPORATED AND SHOULD NOT BE USED WITHOUT WRITTEN PERMISSION | | | | | | | | |

9 8 7 6 5 4 3 2 1

10 9 8 7 6 5 4 3 2 1

F

E

D

C

B

A

F

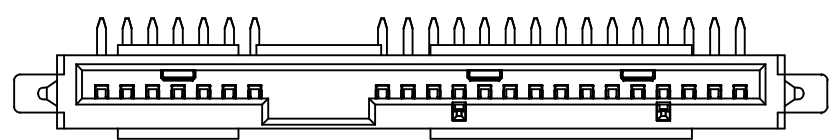
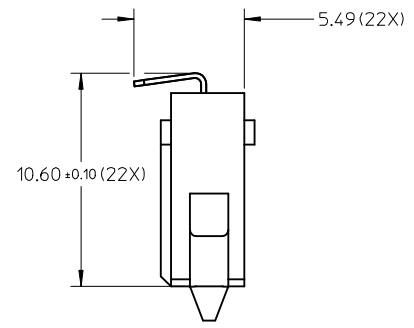
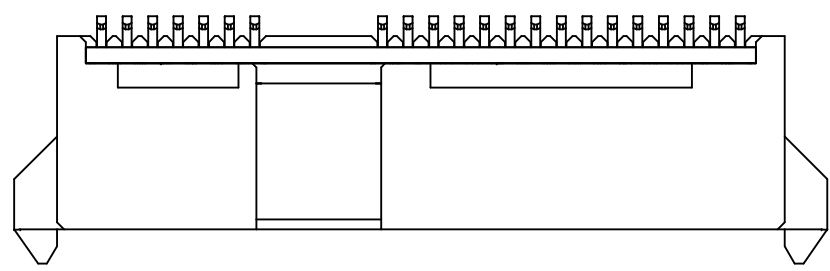
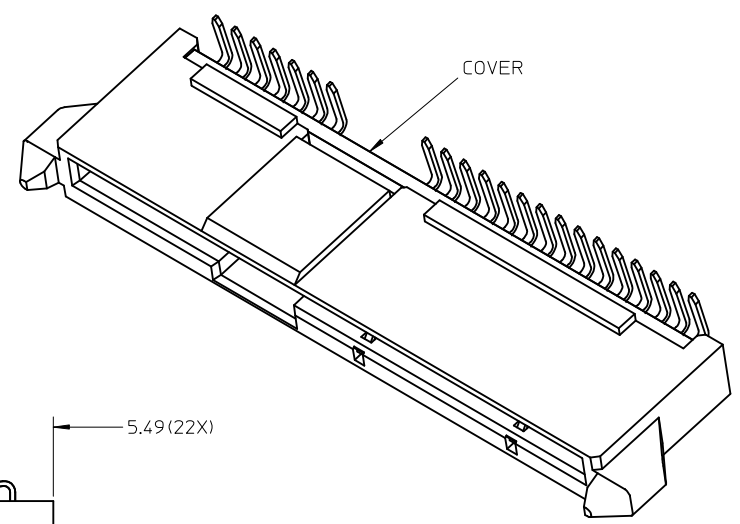
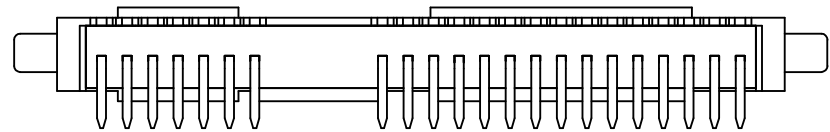
E

D

C

B

A



RIGHT ANGLE(270 DEGREE)TYPE
OTHER DIMENSIONS REFER TO RIGHT ANGLE(90 DEGREE) TYPE.

| | | | | | | | |
|--|--------------------|-----------------|--|---|--------------------------------|---------------------------|------------------------|
| SEE SHEET1 EC NO: SH2009-0500 2009/04/16 DRWN: XJ SONG 2009/04/17 CHKD: XJ SONG 2009/05/21 APPR: H WANG | DESCRIPTION REV | QUALITY SYMBOLS | GENERAL TOLERANCES (UNLESS SPECIFIED) 4 PLACES ± --- ± --- 3 PLACES ± --- ± --- 2 PLACES ± 0.2 ± --- 1 PLACE ± 0.25 ± --- ANGULAR ± 3 ° | DIMENSION STYLE | SCALE | DESIGN UNITS | THIRD ANGLE PROJECTION |
| | | mm INCH | | MM ONLY | 4:1 | METRIC | |
| | | DRAWN BY | | DATE | TITLE | | |
| | | DATE | | DATE | COMBO SAS RECEPTACLE CABLE END | | |
| | | | | APPROVED BY | DATE | MOLEX INCORPORATED | |
| | | | | GRATE | 2005/12/05 | DOCUMENT NO. SD-47363-100 | |
| | | | | MATERIAL NO. SEE SHEET 5 | | SHEET NO. 4 OF 5 | |
| | | | | DRAFT WHERE APPLICABLE MUST REMAIN WITHIN DIMENSIONS | | | |
| | | | | THIS DRAWING CONTAINS INFORMATION THAT IS PROPRIETARY TO MOLEX INCORPORATED AND SHOULD NOT BE USED WITHOUT WRITTEN PERMISSION | | | |

9 8 7 6 5 4 3 2 1

| 10 | 9 | 8 | 7 | 6 | 5 | 4 | 3 | 2 | 1 |
|------------|-------------------------------|---|------------------------------|-------------------------------|-------------------------------|---------------------------------------|-------------------------------|---|---|
| P/N | PLATE TYPE | REMARK | STRAIGHT OR R/A | P/N | PLATE TYPE | REMARK | STRAIGHT OR R/A | | |
| 47363-1000 | GOLD FLASH | WITH ARRIS ON BOTH SURFACE | STRAIGHT TYPE | 47363-4000 | GOLD FLASH | WITH ARRIS ON BOTH SURFACE WITH COVER | RIGHT ANGLE TYPE (270 DEGREE) | | |
| 47363-1001 | GOLD PLATED 0.76 MICRONS MIN. | | | 47363-4001 | GOLD PLATED 0.76 MICRONS MIN. | | | | |
| 47363-1002 | GOLD PLATED 0.38 MICRONS MIN. | | | 47363-4002 | GOLD PLATED 0.38 MICRONS MIN. | | | | |
| 47363-1010 | GOLD FLASH | | | 47363-4010 | GOLD FLASH | | | | |
| 47363-1011 | GOLD PLATED 0.76 MICRONS MIN. | WITH ARRIS ON TOP SURFACE WITH COVER | | 47363-4011 | GOLD PLATED 0.76 MICRONS MIN. | | | | |
| 47363-1012 | GOLD PLATED 0.38 MICRONS MIN. | | | 47363-4012 | GOLD PLATED 0.38 MICRONS MIN. | | | | |
| 47363-1020 | GOLD FLASH | WITH ARRIS ON BOTTOM SURFACE WITH COVER | | 47363-4020 | GOLD FLASH | | | | |
| 47363-1021 | GOLD PLATED 0.76 MICRONS MIN. | | | 47363-4021 | GOLD PLATED 0.76 MICRONS MIN. | | | | |
| 47363-1022 | GOLD PLATED 0.38 MICRONS MIN. | | | 47363-4022 | GOLD PLATED 0.38 MICRONS MIN. | | | | |
| 47363-1030 | GOLD FLASH | WITHOUT ARRIS WITH COVER | | 47363-4030 | GOLD FLASH | | | | |
| 47363-1031 | GOLD PLATED 0.76 MICRONS MIN. | | 47363-4031 | GOLD PLATED 0.76 MICRONS MIN. | | | | | |
| 47363-1032 | GOLD PLATED 0.38 MICRONS MIN. | | 47363-4032 | GOLD PLATED 0.38 MICRONS MIN. | | | | | |
| 47363-2000 | GOLD FLASH | WITH ARRIS ON BOTH SURFACE WITH COVER | RIGHT ANGLE TYPE (90 DEGREE) | | | | | | |
| 47363-2001 | GOLD PLATED 0.76 MICRONS MIN. | | | 47363-2002 | GOLD PLATED 0.38 MICRONS MIN. | | | | |
| 47363-2010 | GOLD FLASH | WITH ARRIS ON TOP SURFACE WITH COVER | | 47363-2011 | GOLD PLATED 0.76 MICRONS MIN. | | | | |
| 47363-2012 | GOLD PLATED 0.38 MICRONS MIN. | | | 47363-2020 | GOLD FLASH | | | | |
| 47363-2021 | GOLD PLATED 0.76 MICRONS MIN. | WITH ARRIS ON BOTTOM SURFACE WITH COVER | | 47363-2022 | GOLD PLATED 0.38 MICRONS MIN. | | | | |
| 47363-2030 | GOLD FLASH | | | 47363-2031 | GOLD PLATED 0.76 MICRONS MIN. | | | | |
| 47363-2032 | GOLD PLATED 0.38 MICRONS MIN. | WITHOUT ARRIS WITH COVER | | 47363-3000 | GOLD FLASH | | | | |
| 47363-3001 | GOLD PLATED 0.76 MICRONS MIN. | WITH ARRIS ON BOTH SURFACE WITH COVER | | COMPOSITE TYPE | 47363-3002 | GOLD PLATED 0.38 MICRONS MIN. | | | |
| 47363-3010 | GOLD FLASH | | | | 47363-3011 | GOLD PLATED 0.76 MICRONS MIN. | | | |
| 47363-3012 | GOLD PLATED 0.38 MICRONS MIN. | WITH ARRIS ON TOP SURFACE WITH COVER | | | 47363-3020 | GOLD FLASH | | | |
| 47363-3021 | GOLD PLATED 0.76 MICRONS MIN. | WITH ARRIS ON BOTTOM SURFACE WITH COVER | 47363-3022 | | GOLD PLATED 0.38 MICRONS MIN. | | | | |
| 47363-3030 | GOLD FLASH | | 47363-3031 | | GOLD PLATED 0.76 MICRONS MIN. | | | | |
| 47363-3032 | GOLD PLATED 0.38 MICRONS MIN. | WITHOUT ARRIS WITH COVER | 47363-4000 | | GOLD FLASH | | | | |

| | | | | | | | | | |
|---|--|--|--|--|--|--|--|--|--|
| B | | | | | | | | | |
|---|--|--|--|--|--|--|--|--|--|

| | | | | | | | | | | |
|---|-------------|-------------|----------------------|---------------------------------------|---|--------------------------------|-----------|--------|--------------|------------------------|
| SEE SHEET1 EC NO: SHZ009-0500 DRAWN: J.SONG CHKD: J.SONG APPR: H.WANG | REV | DESCRIPTION | QUALITY SYMBOLS | GENERAL TOLERANCES (UNLESS SPECIFIED) | | DIMENSION STYLE | | SCALE | DESIGN UNITS | THIRD ANGLE PROJECTION |
| | | | ▽=0 ◻=0 | mm | INCH | MM ONLY | 4:1 | METRIC | | |
| | | | 4 PLACES ± --- ± --- | BCHEN26 | DATE | TITLE | | | | |
| | | | 3 PLACES ± --- ± --- | CHECKED BY | DATE | COMBO SAS RECEPTACLE CABLE END | | | | |
| 2 PLACES ± 0.2 ± --- | DIXON | 2005/12/05 | MOLEX INCORPORATED | | | | | | | |
| 1 PLACE ± 0.25 ± --- | APPROVED BY | DATE | MATERIAL NO. | | | | | | | |
| ANGULAR ± 3 ° | GRATE | 2005/12/05 | DOCUMENT NO. | | | | | | | |
| DRAFT WHERE APPLICABLE MUST REMAIN WITHIN DIMENSIONS | | | SEE TABLE | | SD-47363-100 | | SHEET NO. | | 5 OF 5 | |
| | | | SIZE A3 | | THIS DRAWING CONTAINS INFORMATION THAT IS PROPRIETARY TO MOLEX INCORPORATED AND SHOULD NOT BE USED WITHOUT WRITTEN PERMISSION | | | | | |