

PLEASE CHECK WWW.MOLEX.COM FOR LATEST PART INFORMATION

Part Number: [0473631002](#)
Status: **Active**
Description: 1.27mm (.050") Pitch Combo SAS Cable Connector, Straight Type, with Arris on both surface, 0.38µm (15µ") Gold (Au), 22 Circuits, Lead Free

Documents:

[3D Model](#) [Product Specification PS-47362-001 \(PDF\)](#)
[Drawing \(PDF\)](#) [RoHS Certificate of Compliance \(PDF\)](#)

General

| | |
|----------------|-----------------------|
| Product Family | I/O Connectors |
| Series | 47363 |
| Application | Wire-to-Board |
| Component Type | Receptacle |
| Product Name | SAS |
| Type | N/A |

Physical

| | |
|--------------------------------|--------------------|
| Boot Color | N/A |
| Circuits (Loaded) | 22 |
| Circuits (maximum) | 22 |
| Circuits Detail | Signal 7, Power 15 |
| Durability (mating cycles max) | 50 |
| Gender | Receptacle |
| Keying to Mating Part | Yes |
| Lock to Mating Part | Yes |
| Material - Metal | Copper Alloy |
| Material - Plating Mating | Gold |
| Material - Plating Termination | Tin |
| Number of Rows | 1 |
| Orientation | Straight |
| PCB Locator | No |
| PCB Retention | None |
| Packaging Type | Tray |
| Panel Mount | No |
| Pitch - Mating Interface (in) | 0.050 In |
| Pitch - Mating Interface (mm) | 1.27 mm |
| Pitch - Term. Interface (in) | 0.050 In |
| Pitch - Term. Interface (mm) | 1.27 mm |
| Plating min: Mating (µin) | 15 |
| Plating min: Mating (µm) | 0.38 |
| Plating min: Termination (µin) | 50 |
| Plating min: Termination (µm) | 1.27 |
| Polarized to Mating Part | Yes |
| Polarized to PCB | Yes |
| Ports | 2 |
| Temperature Range - Operating | -35°C to +85°C |
| Termination Interface: Style | Through Hole |
| Waterproof / Dustproof | No |
| Wire Size AWG | N/A |

Electrical

| | |
|-------------------------------|--------|
| Current - Maximum per Contact | 1.5A |
| Voltage - Maximum | 15V DC |

Material Info

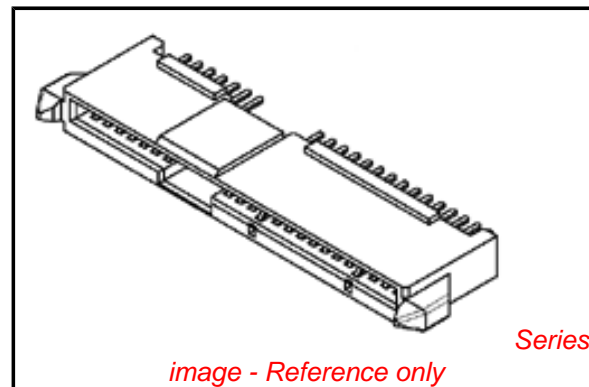


image - Reference only

EU RoHS

**ELV and RoHS
Compliant**
**REACH SVHC
Contains SVHC: No**
**Halogen-Free
Status**

China RoHS



**Need more information on product
environmental compliance?**

Email productcompliance@molex.com
 For a multiple part number RoHS Certificate of Compliance, [click here](#)

Please visit the [Contact Us](#) section for any non-product compliance questions.

Search Parts in this Series
[47363Series](#)

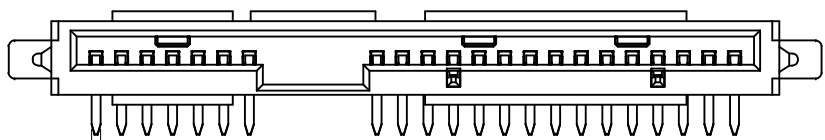
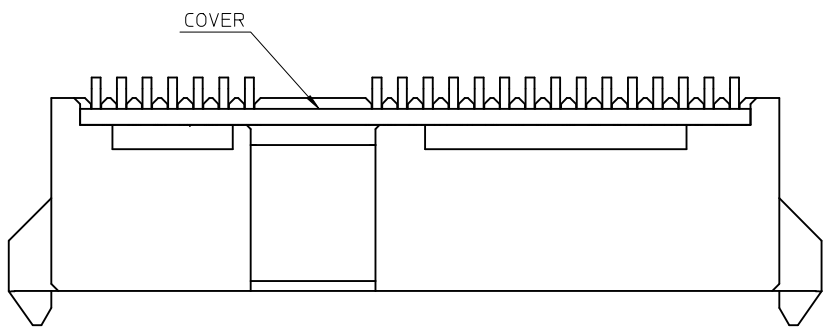
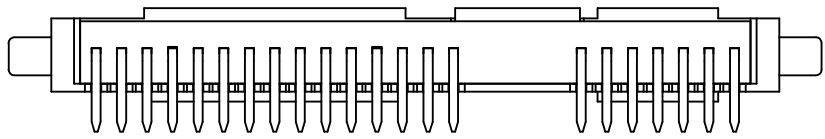
Reference - Drawing Numbers

Product Specification
Sales Drawing

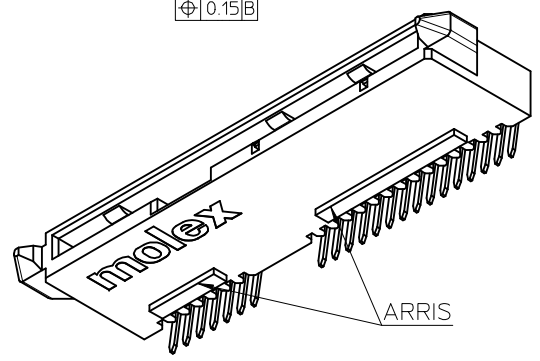
PS-47362-001
SD-47363-100

This document was generated on 04/21/2010

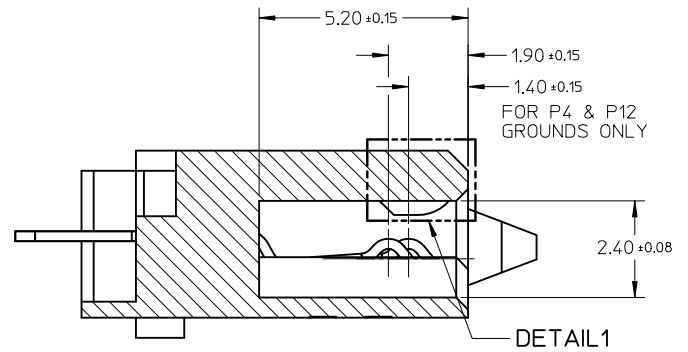
PLEASE CHECK WWW.MOLEX.COM FOR LATEST PART INFORMATION



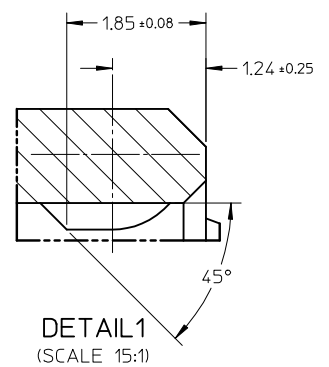
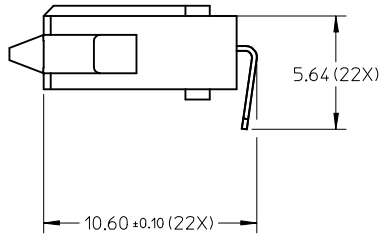
0.45 ±0.05
TYP. (22X)
⌀ 0.15



RIGHT ANGLE(90 DEGREE) TYPE
OTHER DIMENSIONS REFER TO STRAIGHT TYPE



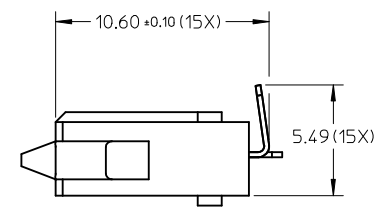
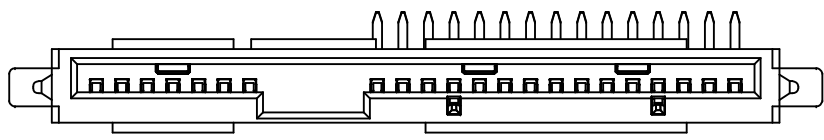
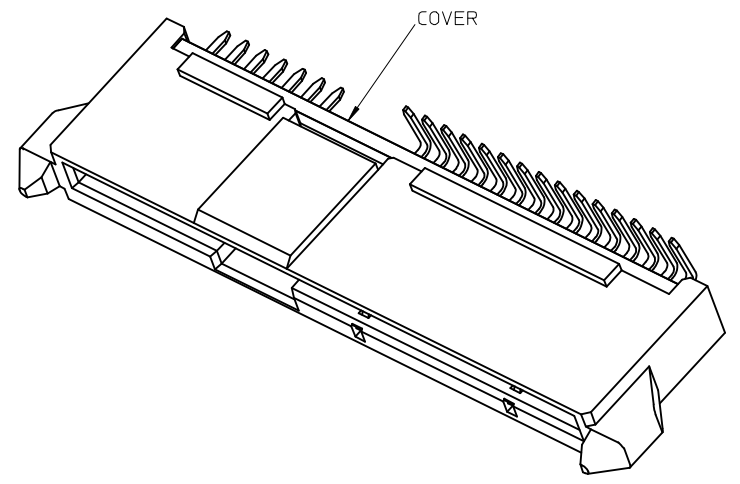
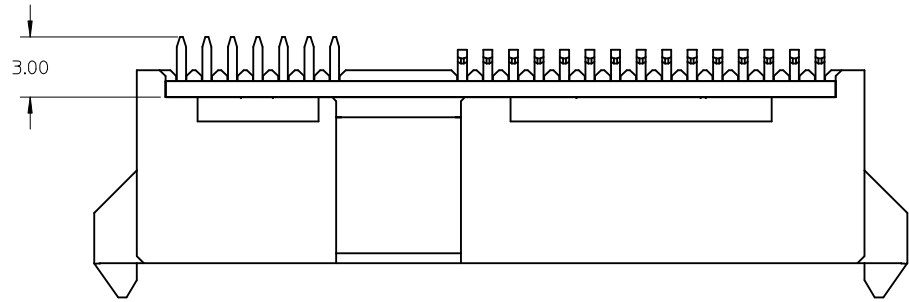
SECTION Z-Z
(SCALE 8:1)



DETAIL 1
(SCALE 15:1)

| | | | | | | | | |
|-------------------------------------------------------------------------------------------------------------------|-------------------------------------------------------------------------------------------------------------------------------|------------------------------------------------------|----------------------|----------------------------|--------------------|-----------------------------------------|------------------------|------------------------|
| SEE SHEET 1 EC NO: SHZ009-0500 TDRWNX:J.SONG 2009/04/16 CHKDX:J.SONG 2009/04/17 APPR:HWANG 2009/05/21 | QUALITY SYMBOLS | GENERAL TOLERANCES (UNLESS SPECIFIED) | | DIMENSION STYLE MM ONLY | | SCALE 4:1 | DESIGN UNITS METRIC | THIRD ANGLE PROJECTION |
| | ▽=0 ∇=0 | mm | INCH | DRAWN BY BCHEN26 | DATE 2005/12/05 | TITLE COMBO SAS RECEPTACLE CABLE END | | |
| | | 4 PLACES ± --- ± --- | 3 PLACES ± --- ± --- | CHECKED BY DIXON | DATE 2005/12/05 | MOLEX INCORPORATED | | |
| | | 2 PLACES ± 0.2 ± --- | 1 PLACE ± 0.25 ± --- | APPROVED BY GRATE | DATE 2005/12/05 | DOCUMENT NO. SD-47363-100 | | |
| DESCRIPTION | ANGULAR ± 3 ° | DRAFT WHERE APPLICABLE MUST REMAIN WITHIN DIMENSIONS | | MATERIAL NO. SEE SHEETS | | SHEET NO. 2 OF 5 | | |
| REV | THIS DRAWING CONTAINS INFORMATION THAT IS PROPRIETARY TO MOLEX INCORPORATED AND SHOULD NOT BE USED WITHOUT WRITTEN PERMISSION | | SIZE A3 | | | | | |

10 9 8 7 6 5 4 3 2 1



COMPOSITE TYPE

OTHER DIMENSIONS REFER TO STRAIGHT TYPE OR RIGHT ANGLE(90 DEGREE) TYPE.

| | | | | | | | | | | |
|-------------------------------------------------------------------------------------------------------------------------------|--------------------|-----------------|---------------------------------------|----------------------|----------------------------|--------------------|-----------------------------------------|------------------------|------------------------|--|
| SEE SHEET1 EC NO: SHZ009-0500 TDR:WXYJSONG 2009/04/16 CHKD:XJSONG 2009/04/17 APPR:HWANG 2009/05/21 | DESCRIPTION REV | QUALITY SYMBOLS | GENERAL TOLERANCES (UNLESS SPECIFIED) | | DIMENSION STYLE MM ONLY | | SCALE 4:1 | DESIGN UNITS METRIC | THIRD ANGLE PROJECTION | |
| | | ▽=0 ◻=0 | mm | INCH | DRAWN BY BCHEN26 | DATE 2005/12/05 | TITLE COMBO SAS RECEPTACLE CABLE END | | | |
| | | | 4 PLACES ± --- ± --- | 3 PLACES ± --- ± --- | CHECKED BY DIXON | DATE 2005/12/05 | MOLEX INCORPORATED | | | |
| | | | 2 PLACES ± 0.2 ± --- | 1 PLACE ± 0.25 ± --- | APPROVED BY GRATE | DATE 2005/12/05 | DOCUMENT NO. SD-47363-100 | | SHEET NO. 3 OF 5 | |
| DRAFT WHERE APPLICABLE MUST REMAIN WITHIN DIMENSIONS | | | ANGULAR ± 3 ° | | MATERIAL NO. SEE SHEETS | | | | | |
| THIS DRAWING CONTAINS INFORMATION THAT IS PROPRIETARY TO MOLEX INCORPORATED AND SHOULD NOT BE USED WITHOUT WRITTEN PERMISSION | | | | | | | | | | |

9 8 7 6 5 4 3 2 1

10 9 8 7 6 5 4 3 2 1

F

E

D

C

B

A

F

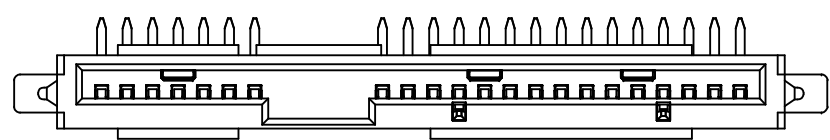
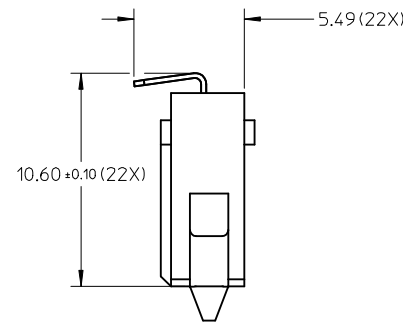
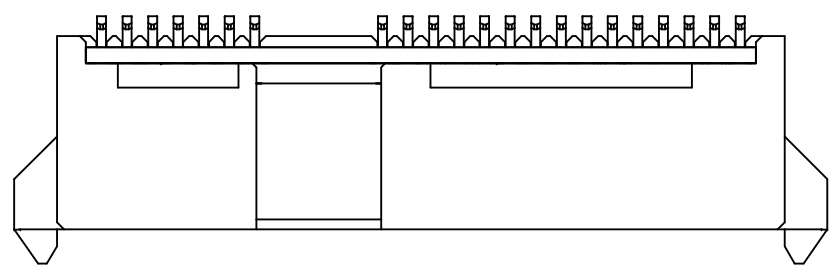
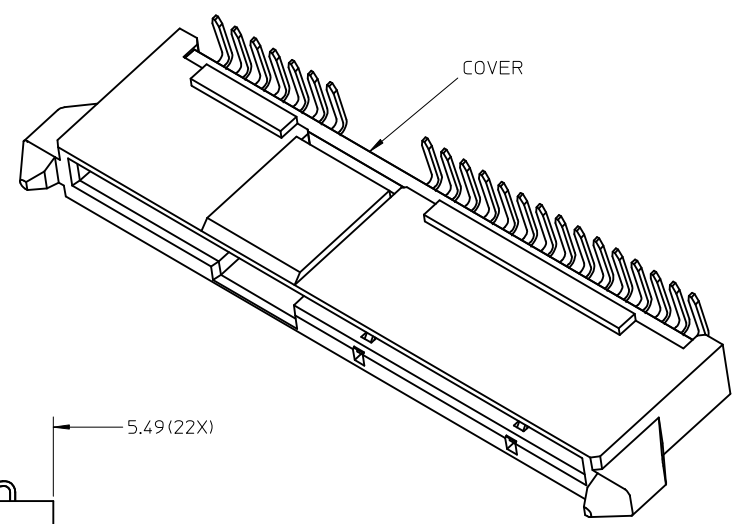
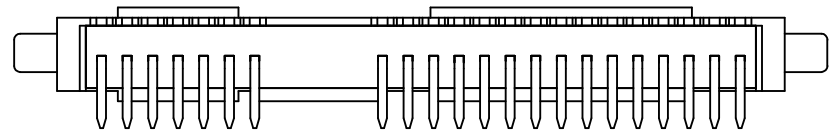
E

D

C

B

A



RIGHT ANGLE(270 DEGREE)TYPE
OTHER DIMENSIONS REFER TO RIGHT ANGLE(90 DEGREE) TYPE.

| | | | | | | | | | |
|------------------------------------------------------------------------------------------------------------------------------|--------------------|-------------------------------------------------------------------------------------------------------------------------------|-------------------------------------------------------------------------------------------------------------------------------|-----------------|--------------|------------------------------------|--------------------------------------------------------------------------------------------------------------------------------|-----------|--------------------------------|
| SEE SHEET1 EC NO: SH2009-0500 2009/04/16 DRWN: XJ SONG 2009/04/17 CHKD: XJ SONG 2009/05/21 APPR: H WANG | DESCRIPTION REV | QUALITY SYMBOLS | GENERAL TOLERANCES (UNLESS SPECIFIED) | DIMENSION STYLE | SCALE | DESIGN UNITS | THIRD ANGLE PROJECTION | | |
| | | $\nabla = 0$ $\sphericalangle = 0$ | mm INCH 4 PLACES ± --- ± --- 3 PLACES ± --- ± --- 2 PLACES ± 0.2 ± --- 1 PLACE ± 0.25 ± --- ANGULAR ± 3 ° | MM ONLY | 4:1 | METRIC | DRAWN BY: BCHEN26 DATE: 2005/12/05 CHECKED BY: DIXON DATE: 2005/12/05 APPROVED BY: GRATE DATE: 2005/12/05 | TITLE | COMBO SAS RECEPTACLE CABLE END |
| | | DRAFT WHERE APPLICABLE MUST REMAIN WITHIN DIMENSIONS | SEE SHEET 5 | MATERIAL NO. | DOCUMENT NO. | MOLEX INCORPORATED SD-47363-100 | | SHEET NO. | 4 OF 5 |
| | | THIS DRAWING CONTAINS INFORMATION THAT IS PROPRIETARY TO MOLEX INCORPORATED AND SHOULD NOT BE USED WITHOUT WRITTEN PERMISSION | | | | | | | |

9 8 7 6 5 4 3 2 1

| 10 | | 9 | | 8 | | 7 | | 6 | | 5 | | 4 | | 3 | | 2 | | 1 | |
|--------------------------|-------------------------------|---|--------------------------------------|------------------------------|-----------------|------------|-------------------------------|-------------------------------|---------------------------------------|-----------------------------------------|--|-------------------------------|--|---|--|---|--|---|--|
| P/N | PLATE TYPE | | REMARK | | STRAIGHT OR R/A | | P/N | PLATE TYPE | | REMARK | | STRAIGHT OR R/A | | | | | | | |
| 47363-1000 | GOLD FLASH | | WITH ARRIS ON BOTH SURFACE | | STRAIGHT TYPE | | 47363-4000 | GOLD FLASH | | WITH ARRIS ON BOTH SURFACE WITH COVER | | RIGHT ANGLE TYPE (270 DEGREE) | | | | | | | |
| 47363-1001 | GOLD PLATED 0.76 MICRONS MIN. | | | | | | | | | | | | | | | | | | |
| 47363-1002 | GOLD PLATED 0.38 MICRONS MIN. | | | | | | | | | | | | | | | | | | |
| 47363-1010 | GOLD FLASH | | | | | | | | | | | | | | | | | | |
| 47363-1011 | GOLD PLATED 0.76 MICRONS MIN. | | WITH ARRIS ON TOP SURFACE | | | | 47363-4010 | GOLD FLASH | | WITH ARRIS ON TOP SURFACE WITH COVER | | | | | | | | | |
| 47363-1012 | GOLD PLATED 0.38 MICRONS MIN. | | | | | | | | | | | | | | | | | | |
| 47363-1020 | GOLD FLASH | | | | | | | | | | | | | | | | | | |
| 47363-1021 | GOLD PLATED 0.76 MICRONS MIN. | | | | | | | | | | | | | | | | | | |
| 47363-1022 | GOLD PLATED 0.38 MICRONS MIN. | | WITH ARRIS ON BOTTOM SURFACE | | | | 47363-4020 | GOLD FLASH | | WITH ARRIS ON BOTTOM SURFACE WITH COVER | | | | | | | | | |
| 47363-1030 | GOLD FLASH | | | | | | | | | | | | | | | | | | |
| 47363-1031 | GOLD PLATED 0.76 MICRONS MIN. | | | | | | | | | | | | | | | | | | |
| 47363-1032 | GOLD PLATED 0.38 MICRONS MIN. | | | | | | | | | | | | | | | | | | |
| WITHOUT ARRIS | | | | RIGHT ANGLE TYPE (90 DEGREE) | | 47363-2000 | GOLD FLASH | | WITH ARRIS ON BOTH SURFACE WITH COVER | | | | | | | | | | |
| | | | | | | 47363-2001 | GOLD PLATED 0.76 MICRONS MIN. | | | | | | | | | | | | |
| | | | | | | 47363-2002 | GOLD PLATED 0.38 MICRONS MIN. | | | | | | | | | | | | |
| | | | | | | 47363-2010 | GOLD FLASH | | | | | | | | | | | | |
| 47363-2011 | GOLD PLATED 0.76 MICRONS MIN. | | WITH ARRIS ON TOP SURFACE WITH COVER | | | | 47363-2020 | GOLD FLASH | | WITH ARRIS ON BOTTOM SURFACE WITH COVER | | | | | | | | | |
| 47363-2012 | GOLD PLATED 0.38 MICRONS MIN. | | | | | | | | | | | | | | | | | | |
| 47363-2020 | GOLD FLASH | | | | | | | | | | | | | | | | | | |
| 47363-2021 | GOLD PLATED 0.76 MICRONS MIN. | | | | | | | | | | | | | | | | | | |
| 47363-2022 | GOLD PLATED 0.38 MICRONS MIN. | | WITHOUT ARRIS WITH COVER | | | | 47363-2030 | GOLD FLASH | | WITHOUT ARRIS WITH COVER | | | | | | | | | |
| 47363-2030 | GOLD FLASH | | | | | | | | | | | | | | | | | | |
| 47363-2031 | GOLD PLATED 0.76 MICRONS MIN. | | | | | | | | | | | | | | | | | | |
| 47363-2032 | GOLD PLATED 0.38 MICRONS MIN. | | | | | | | | | | | | | | | | | | |
| WITHOUT ARRIS WITH COVER | | | | COMPOSITE TYPE | | 47363-3000 | GOLD FLASH | | WITH ARRIS ON BOTH SURFACE WITH COVER | | | | | | | | | | |
| | | | | | | 47363-3001 | GOLD PLATED 0.76 MICRONS MIN. | | | | | | | | | | | | |
| | | | | | | 47363-3002 | GOLD PLATED 0.38 MICRONS MIN. | | | | | | | | | | | | |
| | | | | | | 47363-3010 | GOLD FLASH | | | | | | | | | | | | |
| 47363-3011 | GOLD PLATED 0.76 MICRONS MIN. | | WITH ARRIS ON TOP SURFACE WITH COVER | | | | 47363-3012 | GOLD PLATED 0.38 MICRONS MIN. | | WITH ARRIS ON BOTTOM SURFACE WITH COVER | | | | | | | | | |
| 47363-3012 | GOLD PLATED 0.38 MICRONS MIN. | | | | | | | | | | | | | | | | | | |
| 47363-3020 | GOLD FLASH | | | | | | | | | | | | | | | | | | |
| 47363-3021 | GOLD PLATED 0.76 MICRONS MIN. | | | | | | | | | | | | | | | | | | |
| 47363-3022 | GOLD PLATED 0.38 MICRONS MIN. | | WITHOUT ARRIS WITH COVER | | | | 47363-3030 | GOLD FLASH | | WITHOUT ARRIS WITH COVER | | | | | | | | | |
| 47363-3030 | GOLD FLASH | | | | | | | | | | | | | | | | | | |
| 47363-3031 | GOLD PLATED 0.76 MICRONS MIN. | | | | | | | | | | | | | | | | | | |
| 47363-3032 | GOLD PLATED 0.38 MICRONS MIN. | | | | | | | | | | | | | | | | | | |

| | | | | | | | | |
|-----------------------------------------------------------------------------------------------------------------------------|------------------------------------------------------|---------------------------------------|-------------------------------------------------------------------------------------------------------------------------------|-----------------------------------|--------------------------------|---------------------|-------------------------------|------------------------|
| SEE SHEET1 EC NO: SHZ009-0500 T1 DRW: XJ.SONG 2009/04/16 CHKD: XJ.SONG 2009/04/17 APPR: HWANG 2009/05/21 | QUALITY SYMBOLS | GENERAL TOLERANCES (UNLESS SPECIFIED) | | DIMENSION STYLE MM ONLY | | SCALE 4:1 | DESIGN UNITS METRIC | THIRD ANGLE PROJECTION |
| | ▽=0 | mm | INCH | DRAWN BY | DATE | TITLE | | |
| | ∇=0 | 4 PLACES ± --- ± --- | BCHEN26 | 2005/12/05 | COMBO SAS RECEPTACLE CABLE END | | | |
| | | 3 PLACES ± --- ± --- | CHECKED BY | DATE | | | | |
| | 2 PLACES ± 0.2 ± --- | DIXON | 2005/12/05 | | | | | |
| | 1 PLACE ± 0.25 ± --- | APPROVED BY | DATE | | | | | |
| | ANGULAR ± 3 ° | GRATE | 2005/12/05 | MOLEX INCORPORATED | | | | |
| | | MATERIAL NO. | DOCUMENT NO. | SD-47363-100 | | SHEET NO. | 5 OF 5 | |
| | DRAFT WHERE APPLICABLE MUST REMAIN WITHIN DIMENSIONS | SIZE | THIS DRAWING CONTAINS INFORMATION THAT IS PROPRIETARY TO MOLEX INCORPORATED AND SHOULD NOT BE USED WITHOUT WRITTEN PERMISSION | | | | | |
| | | A3 | | | | | | |