

**PLEASE CHECK WWW.MOLEX.COM FOR LATEST PART INFORMATION**

**Part Number:** [0473631001](#)  
**Status:** **Active**  
**Description:** 1.27mm (.050") Pitch Combo SAS Cable Connector, Straight Type, with Arris on both surface, 0.76µm (30µ") Gold(Au) Plating, 22 Circuits, LeadFree

**Documents:**

[3D Model](#) [Product Specification PS-47362-001 \(PDF\)](#)  
[Drawing \(PDF\)](#) [RoHS Certificate of Compliance \(PDF\)](#)

**General**

Product Family	I/O Connectors
Series	<a href="#">47363</a>
Application	Wire-to-Board
Component Type	Receptacle
Product Name	SAS
Type	N/A

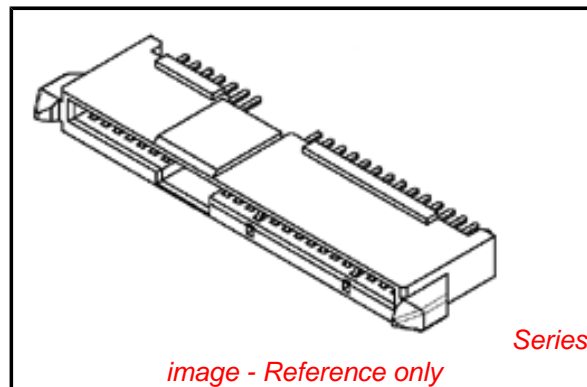
**Physical**

Boot Color	N/A
Circuits (Loaded)	22
Circuits (maximum)	22
Circuits Detail	Signal 7, Power 15
Durability (mating cycles max)	50
Gender	Receptacle
Keying to Mating Part	Yes
Lock to Mating Part	Yes
Material - Metal	Copper Alloy
Material - Plating Mating	Gold
Material - Plating Termination	Tin
Number of Rows	1
Orientation	Straight
PCB Locator	No
PCB Retention	None
Packaging Type	Tray
Panel Mount	No
Pitch - Mating Interface (in)	0.050 In
Pitch - Mating Interface (mm)	1.27 mm
Pitch - Term. Interface (in)	0.050 In
Pitch - Term. Interface (mm)	1.27 mm
Plating min: Mating (µin)	30
Plating min: Mating (µm)	0.76
Plating min: Termination (µin)	50
Plating min: Termination (µm)	1.27
Polarized to Mating Part	Yes
Polarized to PCB	Yes
Ports	2
Temperature Range - Operating	-35°C to +85°C
Termination Interface: Style	Through Hole
Waterproof / Dustproof	No
Wire Size AWG	N/A

**Electrical**

Current - Maximum per Contact	1.5A
Voltage - Maximum	15V DC

**Material Info**



**EU RoHS**

**ELV and RoHS  
Compliant**  
**REACH SVHC  
Contains SVHC: No**  
**Halogen-Free  
Status**

**China RoHS**



**Need more information on product  
environmental compliance?**

Email [productcompliance@molex.com](mailto:productcompliance@molex.com)  
 For a multiple part number RoHS Certificate of Compliance, [click here](#)

Please visit the [Contact Us](#) section for any non-product compliance questions.

**Search Parts in this Series**  
[47363Series](#)

**Reference - Drawing Numbers**

Product Specification  
Sales Drawing

PS-47362-001  
SD-47363-100

This document was generated on 04/12/2010

**PLEASE CHECK [WWW.MOLEX.COM](http://WWW.MOLEX.COM) FOR LATEST PART INFORMATION**

F

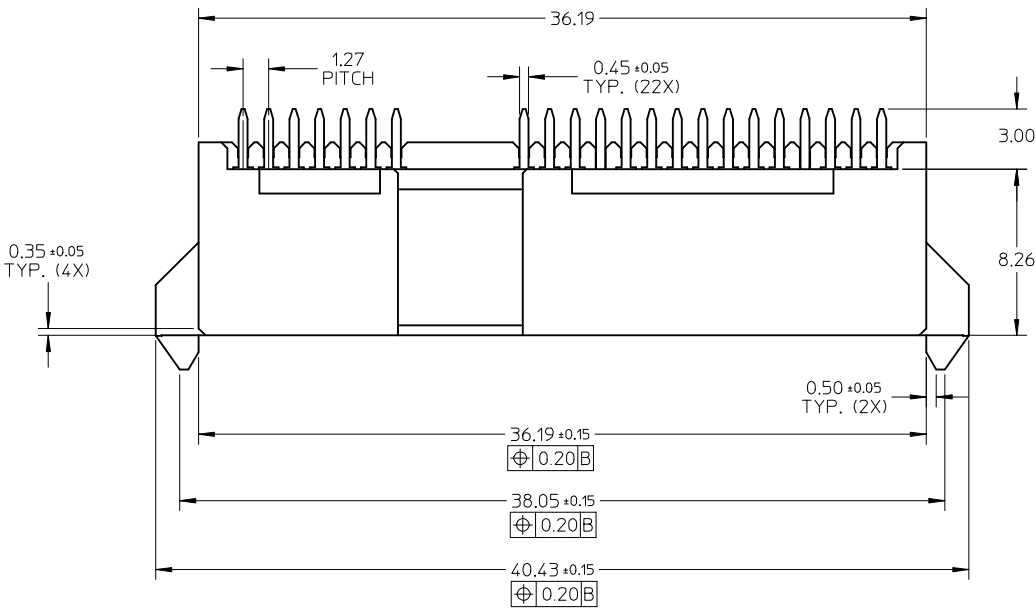
E

D

C

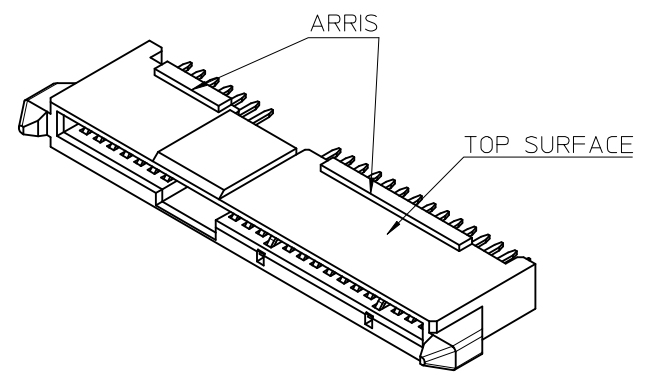
B

A

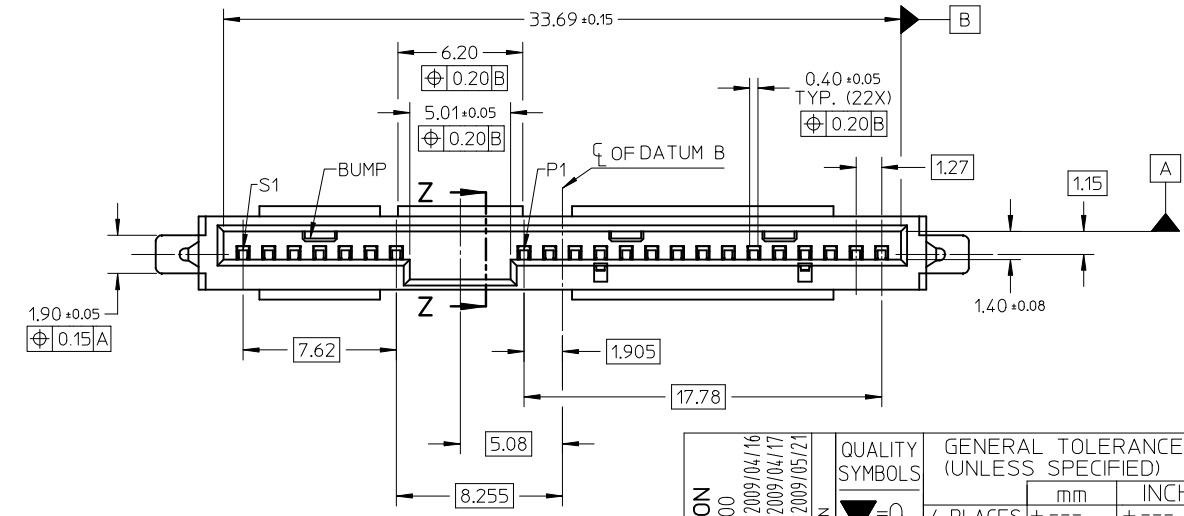
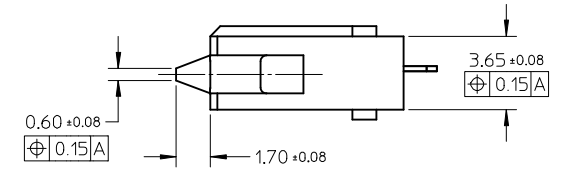


NOTES:

1. MATERIAL:  
HOUSING: THERMAL PLASTIC, GLASS FILLED, UL94V-0, COLOR: BLACK.  
TERMINAL: COPPER ALLOY, THICKNESS=0.25MM.
2. TERMINAL PLATING:  
CONTACT AREA: GOLD PLATED, SEE TABLE.  
SOLDER AREA: PURE TIN, THICKNESS=1.27 MICRONS MINIMUM.  
UNDER PLATE: NICKLE, THICKNESS=1.27 MICRONS MINIMUM.
3. PRODUCT SPECIFICATION: REFER TO PS-47362-001.
4. PACKAGING METHOD: REFER TO PK-47362-001.
5. PRODUCT COMPLIANT TO RoHS DIRECTIVE 2002/95/EC AND ELV DIRECTIVE 2000/53/EC



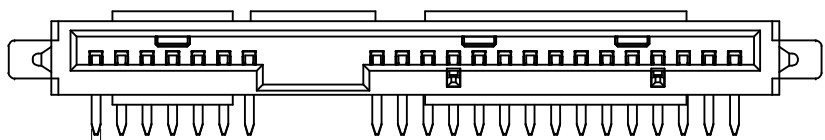
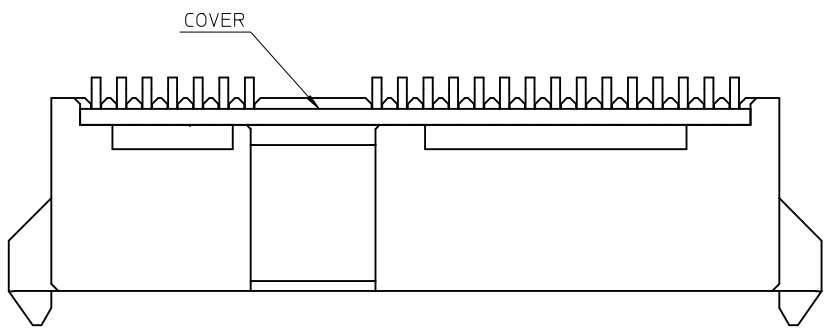
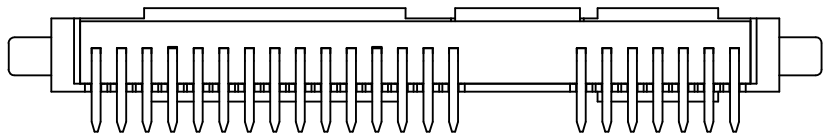
STRAIGHT TYPE



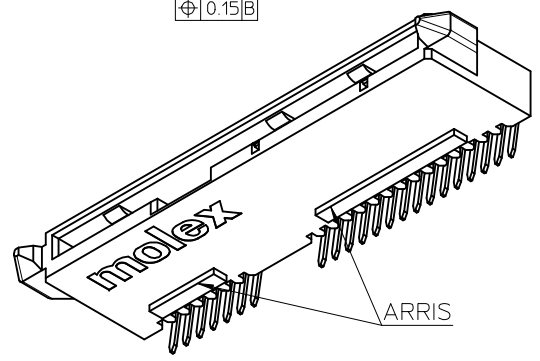
ADD NEW OPTION EC NO: SH2009-0500 DRAWN: XJ SONG 2009/04/16 CHECKED: XJ SONG 2009/04/17 APPROVED: HWANG 2009/05/21	QUALITY SYMBOLS	GENERAL TOLERANCES (UNLESS SPECIFIED)	DIMENSION STYLE	SCALE	DESIGN UNITS	THIRD ANGLE PROJECTION														
	<p>▽=0</p> <p>∇=0</p>	<table border="1"> <tr> <th></th> <th>mm</th> <th>INCH</th> </tr> <tr> <td>4 PLACES</td> <td>± ---</td> <td>± ---</td> </tr> <tr> <td>3 PLACES</td> <td>± ---</td> <td>± ---</td> </tr> <tr> <td>2 PLACES</td> <td>± 0.2</td> <td>± ---</td> </tr> <tr> <td>1 PLACE</td> <td>± 0.25</td> <td>± ---</td> </tr> </table>		mm	INCH	4 PLACES	± ---	± ---	3 PLACES	± ---	± ---	2 PLACES	± 0.2	± ---	1 PLACE	± 0.25	± ---	MM ONLY	4:1	METRIC
	mm	INCH																		
4 PLACES	± ---	± ---																		
3 PLACES	± ---	± ---																		
2 PLACES	± 0.2	± ---																		
1 PLACE	± 0.25	± ---																		

DRAWN BY: B CHEN26 CHECKED BY: DIXON APPROVED BY: GRATE	DATE: 2005/12/05	TITLE: COMBO SAS RECEPTACLE CABLE END
	DATE: 2005/12/05	
MATERIAL NO. SEE SHEETS	DOCUMENT NO. SD-47363-100	SHEET NO. 1 OF 5

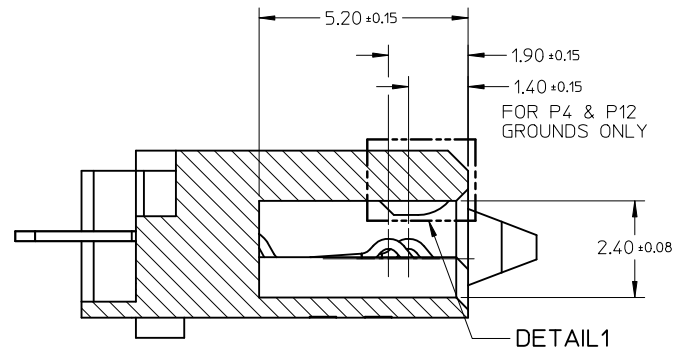
THIS DRAWING CONTAINS INFORMATION THAT IS PROPRIETARY TO MOLEX INCORPORATED AND SHOULD NOT BE USED WITHOUT WRITTEN PERMISSION
---



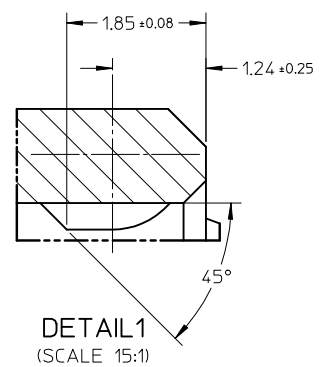
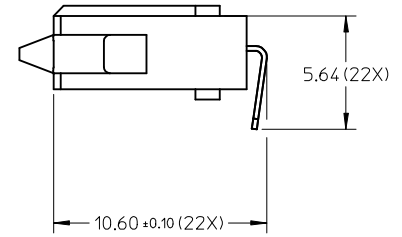
0.45 ±0.05  
TYP. (22X)  
⌀ 0.15



RIGHT ANGLE(90 DEGREE) TYPE  
OTHER DIMENSIONS REFER TO STRAIGHT TYPE

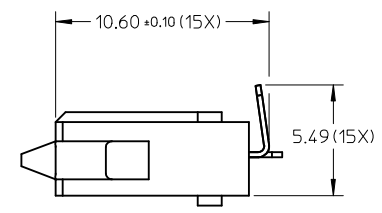
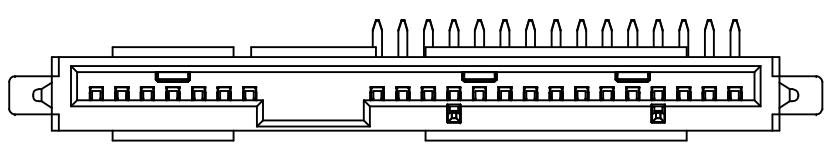
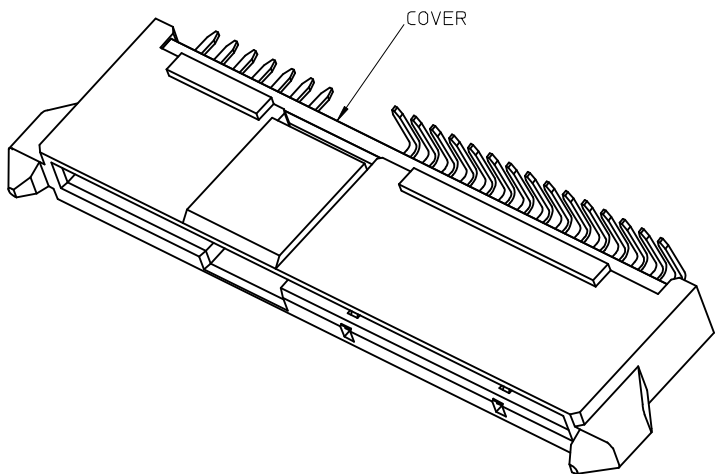
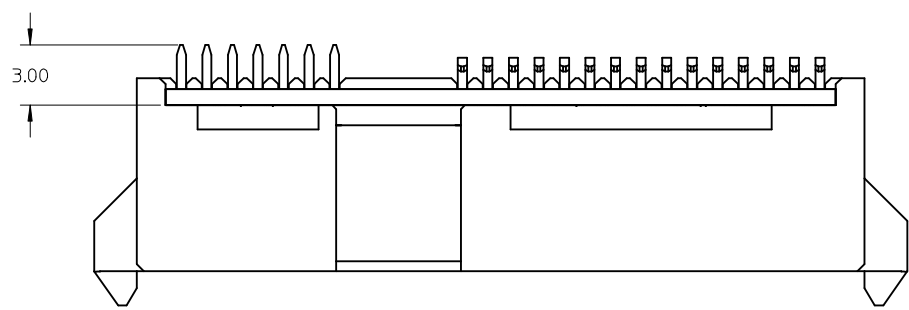


SECTION Z-Z  
(SCALE 8:1)



DETAIL 1  
(SCALE 15:1)

SEE SHEET1 EC NO: SHZ009-0500 TDRWN:XJ.SONG 2009/04/16 CHKD:XJ.SONG 2009/04/17 APPR:HWANG 2009/05/21	DESCRIPTION REV	QUALITY SYMBOLS	GENERAL TOLERANCES (UNLESS SPECIFIED)		DIMENSION STYLE MM ONLY		SCALE 4:1	DESIGN UNITS METRIC	THIRD ANGLE PROJECTION		
		▼=0 ◻=0	mm	INCH	DRAWN BY BCHEN26	DATE 2005/12/05	TITLE COMBO SAS RECEPTACLE CABLE END				
		4 PLACES ± --- ± ---	3 PLACES ± --- ± ---	2 PLACES ± 0.2 ± ---	1 PLACE ± 0.25 ± ---	CHECKED BY DIXON	DATE 2005/12/05	MOLEX INCORPORATED DOCUMENT NO. SD-47363-100 SHEET NO. 2 OF 5			
		ANGULAR ± 3 °				APPROVED BY GRATE	DATE 2005/12/05				
DRAFT WHERE APPLICABLE MUST REMAIN WITHIN DIMENSIONS			SEE SHEETS		THIS DRAWING CONTAINS INFORMATION THAT IS PROPRIETARY TO MOLEX INCORPORATED AND SHOULD NOT BE USED WITHOUT WRITTEN PERMISSION						



COMPOSITE TYPE  
OTHER DIMENSIONS REFER TO STRAIGHT TYPE OR RIGHT ANGLE(90 DEGREE) TYPE.

SEE SHEET1 EC NO: SHZ009-0500 TDR:WXYJSONG 2009/04/16 CHKD:XJSONG 2009/04/17 APPR:HWANG 2009/05/21	DESCRIPTION REV	QUALITY SYMBOLS	GENERAL TOLERANCES (UNLESS SPECIFIED)		DIMENSION STYLE MM ONLY		SCALE 4:1	DESIGN UNITS METRIC	THIRD ANGLE PROJECTION		
		$\nabla = 0$ $\triangle = 0$	mm	INCH	DRAWN BY BCHEN26	DATE 2005/12/05	TITLE COMBO SAS RECEPTACLE CABLE END				
		4 PLACES ± --- ± ---	3 PLACES ± --- ± ---	2 PLACES ± 0.2 ± ---	1 PLACE ± 0.25 ± ---	CHECKED BY DIXON	DATE 2005/12/05	MOLEX INCORPORATED			
		ANGULAR ± 3 °		DRAFT WHERE APPLICABLE MUST REMAIN WITHIN DIMENSIONS		APPROVED BY GRATE	DATE 2005/12/05	DOCUMENT NO. SD-47363-100		SHEET NO. 3 OF 5	

10 9 8 7 6 5 4 3 2 1

F

E

D

C

B

A

F

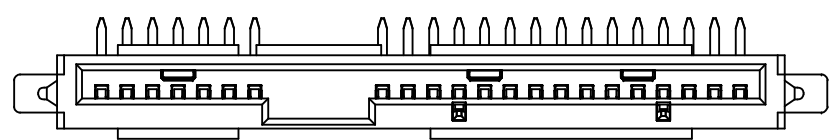
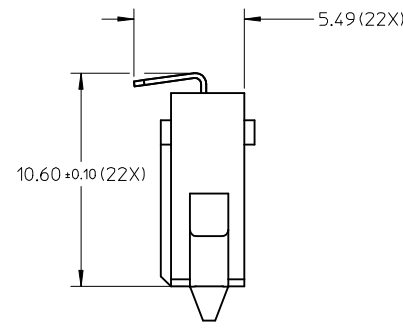
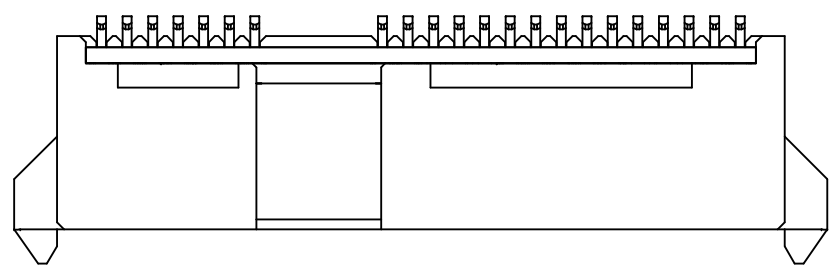
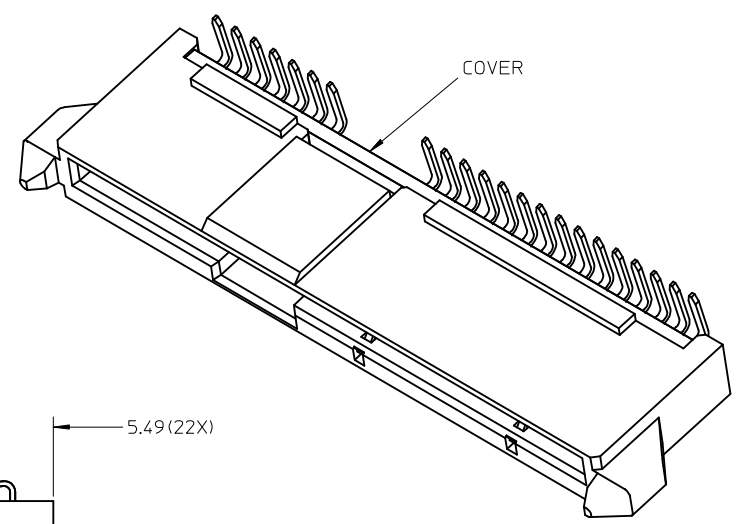
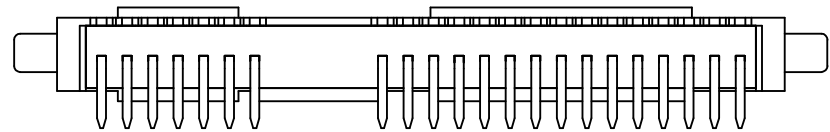
E

D

C

B

A



RIGHT ANGLE(270 DEGREE)TYPE  
OTHER DIMENSIONS REFER TO RIGHT ANGLE(90 DEGREE) TYPE.

SEE SHEET1 EC NO: SH2009-0500 2009/04/16 DRAWN: XJ SONG 2009/04/17 CHKD: XJ SONG APPR: H WANG 2009/05/21	DESCRIPTION REV	QUALITY SYMBOLS	GENERAL TOLERANCES (UNLESS SPECIFIED)	DIMENSION STYLE	SCALE	DESIGN UNITS	THIRD ANGLE PROJECTION
		▽=0 ◻=0	mm      INCH 4 PLACES ± --- ± --- 3 PLACES ± --- ± --- 2 PLACES ± 0.2 ± --- 1 PLACE ± 0.25 ± --- ANGULAR ± 3 °	MM ONLY	4:1	METRIC	DRAWN BY: B CHEN26      DATE: 2005/12/05 CHECKED BY:              DATE: DIXON                      2005/12/05 APPROVED BY:              DATE: GRATE                      2005/12/05
		DRAFT WHERE APPLICABLE MUST REMAIN WITHIN DIMENSIONS	SEE SHEET 5	TITLE COMBO SAS RECEPTACLE CABLE END	MATERIAL NO. MOLEX INCORPORATED	DOCUMENT NO. SD-47363-100	SHEET NO. 4 OF 5
		THIS DRAWING CONTAINS INFORMATION THAT IS PROPRIETARY TO MOLEX INCORPORATED AND SHOULD NOT BE USED WITHOUT WRITTEN PERMISSION					

9 8 7 6 5 4 3 2 1

10		9		8		7		6		5		4		3		2		1	
P/N	PLATE TYPE		REMARK		STRAIGHT OR R/A		P/N	PLATE TYPE		REMARK		STRAIGHT OR R/A							
47363-1000	GOLD FLASH		WITH ARRIS ON BOTH SURFACE		STRAIGHT TYPE		47363-4000	GOLD FLASH		WITH ARRIS ON BOTH SURFACE WITH COVER		RIGHT ANGLE TYPE (270 DEGREE)							
47363-1001	GOLD PLATED 0.76 MICRONS MIN.						47363-4001	GOLD PLATED 0.76 MICRONS MIN.											
47363-1002	GOLD PLATED 0.38 MICRONS MIN.						47363-4002	GOLD PLATED 0.38 MICRONS MIN.											
47363-1010	GOLD FLASH						47363-4010	GOLD FLASH											
47363-1011	GOLD PLATED 0.76 MICRONS MIN.		WITH ARRIS ON TOP SURFACE				47363-4011	GOLD PLATED 0.76 MICRONS MIN.		WITH ARRIS ON TOP SURFACE WITH COVER									
47363-1012	GOLD PLATED 0.38 MICRONS MIN.						47363-4012	GOLD PLATED 0.38 MICRONS MIN.											
47363-1020	GOLD FLASH						47363-4020	GOLD FLASH											
47363-1021	GOLD PLATED 0.76 MICRONS MIN.						47363-4021	GOLD PLATED 0.76 MICRONS MIN.											
47363-1022	GOLD PLATED 0.38 MICRONS MIN.		WITH ARRIS ON BOTTOM SURFACE				47363-4022	GOLD PLATED 0.38 MICRONS MIN.		WITH ARRIS ON BOTTOM SURFACE WITH COVER									
47363-1030	GOLD FLASH						47363-4030	GOLD FLASH											
47363-1031	GOLD PLATED 0.76 MICRONS MIN.						47363-4031	GOLD PLATED 0.76 MICRONS MIN.											
47363-1032	GOLD PLATED 0.38 MICRONS MIN.						47363-4032	GOLD PLATED 0.38 MICRONS MIN.											
WITHOUT ARRIS				RIGHT ANGLE TYPE (90 DEGREE)															
														WITH ARRIS ON BOTH SURFACE WITH COVER					
														WITH ARRIS ON TOP SURFACE WITH COVER					
														WITH ARRIS ON BOTTOM SURFACE WITH COVER					
WITHOUT ARRIS WITH COVER				COMPOSITE TYPE															
														WITH ARRIS ON BOTH SURFACE WITH COVER					
														WITH ARRIS ON TOP SURFACE WITH COVER					
														WITH ARRIS ON BOTTOM SURFACE WITH COVER					
WITHOUT ARRIS WITH COVER																			
														WITH ARRIS ON BOTH SURFACE WITH COVER					
														WITH ARRIS ON TOP SURFACE WITH COVER					
														WITH ARRIS ON BOTTOM SURFACE WITH COVER					
WITHOUT ARRIS WITH COVER																			
														WITH ARRIS ON BOTH SURFACE WITH COVER					
														WITH ARRIS ON TOP SURFACE WITH COVER					
														WITH ARRIS ON BOTTOM SURFACE WITH COVER					

<b>SEE SHEET1</b> EC NO: SHZ009-0500 T1 DRW: XJ.SONG 2009/04/16 CHKD: XJ.SONG 2009/04/17 APPR: HWANG 2009/05/21	QUALITY SYMBOLS	GENERAL TOLERANCES (UNLESS SPECIFIED)		DIMENSION STYLE <b>MM ONLY</b>		SCALE <b>4:1</b>	DESIGN UNITS <b>METRIC</b>	THIRD ANGLE PROJECTION	
	=0 =0	mm	INCH	DRAWN BY BCHEN26	DATE 2005/12/05	TITLE <b>COMBO SAS RECEPTACLE CABLE END</b>			
		4 PLACES ± --- ± ---	3 PLACES ± --- ± ---	CHECKED BY DIXON	DATE 2005/12/05	MATERIAL NO. <b>SD-47363-100</b>			
		2 PLACES ± 0.2 ± ---	1 PLACE ± 0.25 ± ---	APPROVED BY GRATE	DATE 2005/12/05	SHEET NO. 5 OF 5			
		ANGULAR ± 3 °	DRAFT WHERE APPLICABLE MUST REMAIN WITHIN DIMENSIONS		SEE TABLE		THIS DRAWING CONTAINS INFORMATION THAT IS PROPRIETARY TO MOLEX INCORPORATED AND SHOULD NOT BE USED WITHOUT WRITTEN PERMISSION		