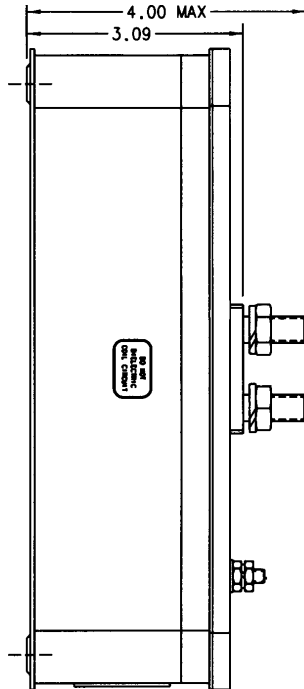
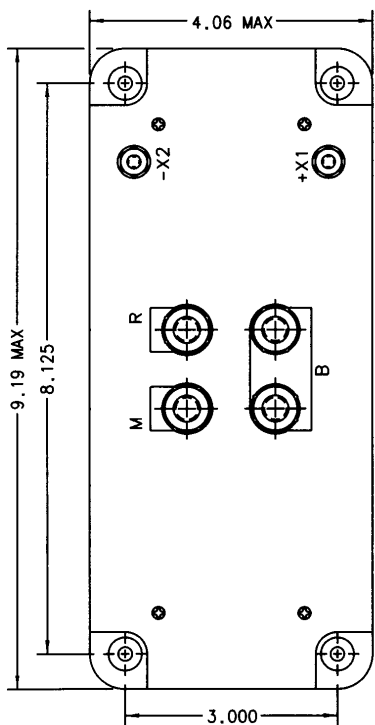


**A-922F 2PST,  
600 Amps, 28 VDC**

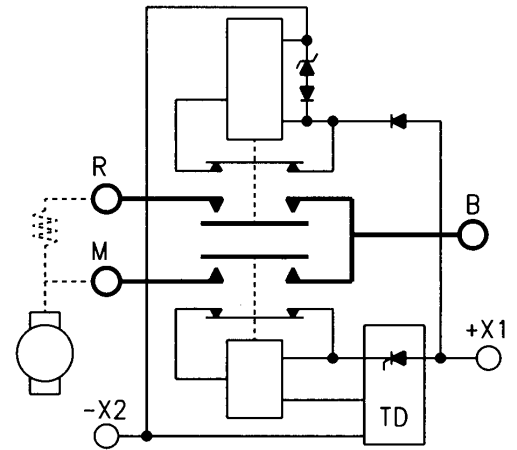


**Features:**

- 2PST Main Contacts
- .325 - .350 Second Time Delay between Rand M Contact Closure
- Transient Suppression
- Economizing Coil
- 28 VDC
- 600 Amps
- High Reliability
- Meets many requirements of MIL-R-6106



**CONTACTOR CONFIGURATION**



**Notes:**

Dimensions for this product are expressed in inches. Multiply values by 25.4 for millimeters.

PRODUCT SPECIFICATIONS	
Construction	Gasket Sealed, Water Tight
Main Contacts:	
Configuration	2PST N.O.
Voltage (Nominal)	28 VDC
Current (Resistive)	600 Amps
Coil Data:	
Duty Cycle	Continuous (Economizing)
Voltage (Nominal)	28 VDC
Pick-Up Voltage	16 VDC Maximum
Drop-Out Voltage	1 - 7 VDC
Coil Current @ 28 VDC & +25°C	
In-Rush	1.65 Amps
Hold	0.56 Amps
Operating Temperature	-55°C to +71°C
Life:	
Electrical	25,000 Cycles
Mechanical	100,000 Cycles
Weight Maximum	6 Lbs.

For factory-direct application assistance, contact the HARTMAN product team at (419) 521-9500, Fax (419) 526-2749.

© 2004 by Tyco Electronics Corporation. All Rights Reserved. HARTMAN and TYCO are trademarks.