

## Soft Ferrites

## Tubes

## TUBES

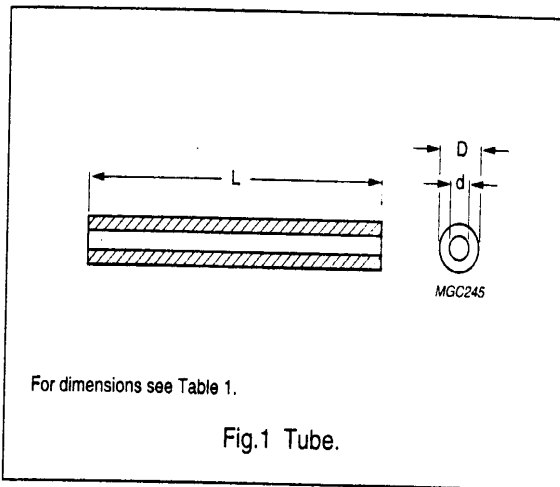


Table 1 Grades, parameters and type numbers; see Fig.1

DIMENSIONS (mm)			TYPE NUMBER		
D	d	L	4B1	3B1	3C90
3.1 -0.02	1.3 +0.2	18.8 -0.5	-	TUB3.1/1.3/19-3B1-DL <sup>sup</sup>	-
3.5 +0.1/-0.2	1.3 +0.2	3.0 +0.5	-	TUB3.5/1.3/3-3B1 <sup>sup</sup>	-
3.5 ±0.2	1.3 +0.2	7.5 +0.5	-	TUB3.5/1.3/7.5-3B1 <sup>sup</sup>	-
3.7 -0.4	1.2 +0.2	3.5 -0.5	TUB3.7/1.2/3.5-4B1 <sup>sup</sup>	TUB3.7/1.2/3.5-3B1 <sup>sup</sup>	-
3.8 ±0.1	2.8 ±0.1	8 ±0.25	TUB3.8/2.8/8-4B1 <sup>sup</sup>	-	-
4.0 -0.25	1.6 +0.15	40 -1.6	TUB4/1.6/40-4B1 <sup>sup</sup>	-	-
4 ±0.2	2 ±0.2	5 ±0.5	-	TUB4/2/5-3B1 <sup>sup</sup>	-
4 ±0.1	3 +0.2	9.45 +0.75	TUB4/3/9.5-4B1 <sup>sup</sup>	-	-
4.1 +0.1	2 +0.2	7 ±0.2	-	TUB4.1/2/7-3B1-D <sup>sup</sup>	-
4.1 +0.1	2 +0.2	11 ±0.2	-	TUB4.1/2/11-3B1-D <sup>sup</sup>	-
4.1 -0.2	2 +0.2	25.5 -1	TUB4.1/2/26-4B1 <sup>sup</sup>	-	-
4.15 -0.05	2 +0.2	12.2 -0.4	TUB4.2/2/12-4B1-DL <sup>sup</sup>	-	-
4.3 -0.2	2 +0.2	15.4 -0.8	TUB4.3/2/15-4B1 <sup>sup</sup>	TUB4.3/2/15-3B1 <sup>sup</sup>	-
4.3 -0.2	2 +0.2	25.5 -1	-	TUB4.3/2/26-3B1 <sup>sup</sup>	-
5.0 -0.30	2.0 +0.2	50 ±1	-	-	TUB5/2/50-3C90 <sup>sup</sup>
5.3 -0.2	3.0 +0.2	22.4 -0.8	-	TUB5.3/3/22-3B1 <sup>sup</sup>	-
6.0 -0.3	3.0 +0.2	20 -0.9	-	TUB6/3/20-3B1 <sup>sup</sup>	TUB6/3/20-3C90 <sup>sup</sup>
6.0 -0.3	3.0 +0.2	30 -1.2	-	-	TUB6/3/30-3C90 <sup>sup</sup>
8.0 -0.4	4.0 +0.3	20 -0.9	TUB8/4/20-4B1 <sup>sup</sup>	TUB8/4/20-3B1 <sup>sup</sup>	-
8.0 -0.4	4.0 +0.3	40 -1.6	-	TUB8/4/40-3B1 <sup>sup</sup>	-
9.5 ±0.3	6.5 ±0.2	17 +0.5/-0.4	-	TUB9.5/6.5/17-3B1 <sup>sup</sup>	-
10.0 -0.5	4.2 +0.3	20 -0.9	-	TUB10/4.2/20-3B1 <sup>sup</sup>	-

# Material grade specification

3B1

## 3B1 SPECIFICATIONS

SYMBOL	CONDITIONS	VALUE	UNIT
$\mu_i$	25 °C; $\leq 10$ kHz; 0.1 mT	$900 \pm 20\%$	
B	25 °C; 10 kHz; 250 A/m 100 °C; 10 kHz; 250 A/m	$\approx 330$  $\approx 200$	mT
$\tan\delta/\mu_i$	25 °C; 450 kHz; 0.1 mT	$\leq 50 \times 10^{-6}$	
$\rho$	DC; 25 °C	$\approx 0.2$	$\Omega\text{m}$
$T_c$		$\geq 150$	°C
density		$\approx 4800$	$\text{kg/m}^3$

