



FEATURES

- Double make, double break contacts
- 30 amp switching capacity
- Up to 3 horsepower rating
- Quick connect, PC or Screw terminals
- True Miniature Contactor
- UL Class F (155 degrees C) insulation available
- Meets UL 873 and UL 508 spacing
- Sealed version available



UL/CSA RATINGS

Load Type	Voltage	All Contacts All Forms
General Purpose	250 VAC	30 A
	120 VAC	30 A
	30 VDC	30 A
Resistive	277 VAC	30 A
	125 VAC	30 A
Motor	277 VAC	3 HP
	125 VAC	1.5 HP
LRA/FLA (locked rotor amps/full load amps)	277 VAC	60 A / 14.1 A
	125 VAC	86 A / 20 A
Tungsten	125 VAC	TV 10

CONTACT DATA

Material		AgCdO (Silver Cadmium Oxide) AgSnO (Silver Tin Oxide)
Initial Contact Resistance		50 milliohms max @ 0.1A, 6VDC
Service Life	Mechanical	5 X 10 ⁶ Operations
	Electrical	1 X 10 ⁵ Operations

CHARACTERISTICS

Operate Time	30 ms. max.
Release Time	30 ms. max.
Insulation Resistance	1,000 megohms min, at 500VDC, 50%RH
Dielectric Strength	4000 Vrms, 1 min. between coil and contacts 2000 Vrms, 1 min. between open contacts 2000 Vrms, 1 min. between adjacent contacts
Shock Resistance	10 g, 11ms, functional; 100 g, destructive
Vibration Resistance	DA 1.5mm, 10-55 Hz
Power Consumption	DC coil 1.9W approx., AC coil 1.7 to 2.7 VA
Ambient Temperature Range	-55 degrees C to 70 degrees C operating, -40 to 130 degrees C storage
Weight	90 grams approx.

ORDERING INFORMATION

Example:	PC739	-2X	-120	A	-B	F	T	S	G
Model									
Contact Form									
1X (Double Make) or 2X (2 Double Make)									
Coil Voltage									
Voltage Type A: AC Coil, D: DC Coil									
Case Type									
S: Sealed (PC or QC Relay), C: Dust Cover									
B: Plastic Bracket, M: Metal bracket									
Insulation Material									
Nil: UL Class B; F: UL Class F									
Contact Material									
Nil: AgCdO; T: AgSnO									
Termination Type									
Nil: QC Lugs, P: PC Terminals, S: Screw Terminals									
Contact Gap									
Nil: Standard, G: 3mm gap									

COIL DATA

Voltage Type	Coil Voltage	Resistance ohms_ + 10%	Coil Power	Must Operate Voltage Max. (VDC)	Must Release Voltage Min. (VDC)
DC	3	4.7	1.9 W	2.25	0.3
	6	18.8		4.5	0.6
	12	75		9.0	1.2
	24	300		18	2.4
	48	1200		36	4.8
	100	5200		75	10.0
	110	6300		82.5	11.0
	220	21000		165	22.0
AC	6	18.8	1.7 to 2.5 VA	4.8	0.9
	12	75		9.6	1.8
	24	300		19.2	3.6
	48	1200		38.4	7.2
	110 / 120	5200		88	18.0
	220 / 240	20800		176	33.0

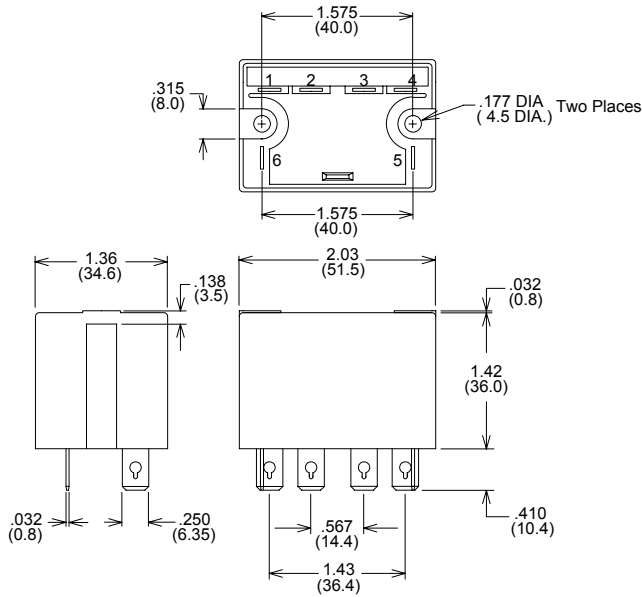


3220 Commander Drive, Suite 102, Carrollton, Texas 75006

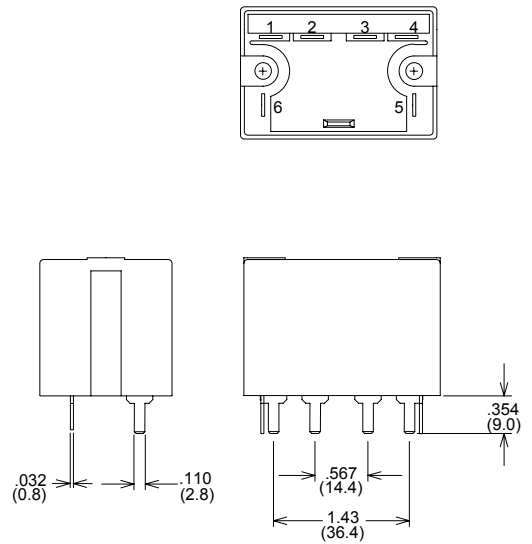
Sales: Call Toll Free (888) 997-3933 Fax (818) 342-5296 email: pickerwest@sbcglobal.net URL: pickercomponents.com

**Overall Dimensions
Inches (millimeters)**

Quick Connect

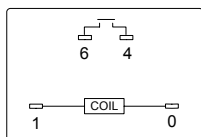


PC Terminal

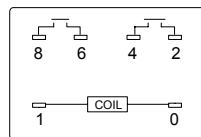


Wiring Schematic

1 Form X

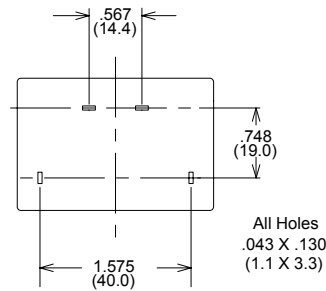


2 Form X

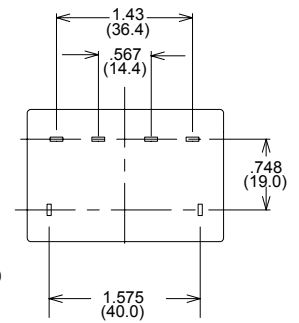


PC Board Hole Pattern

1 Form X



2 Form X



Notes:

Tolerances \pm .010 unless otherwise noted

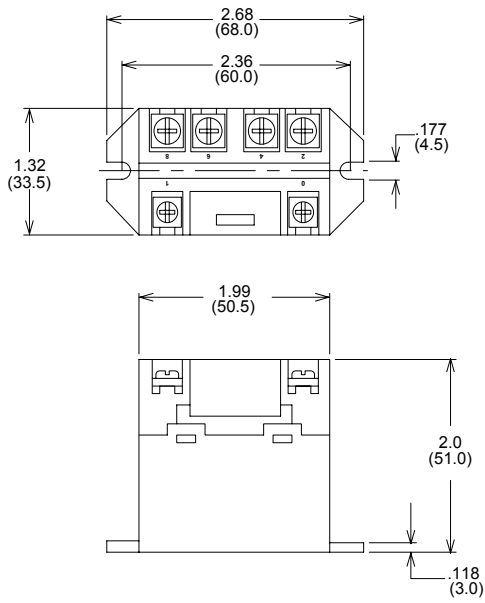


3220 Commander Drive, Suite 102, Carrollton, Texas 75006

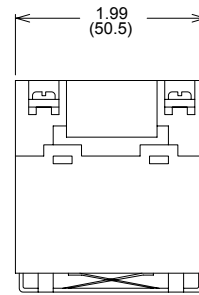
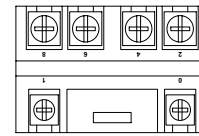
Sales: Call Toll Free (888) 997-3933 Fax (818) 342-5296 email: pickerwest@sbcglobal.net URL: pickercomponents.com

**Overall Dimensions
Inches (millimeters)**

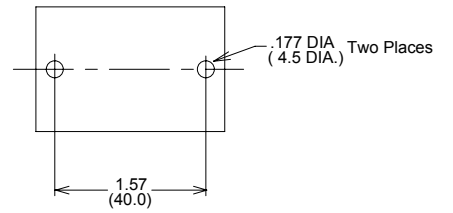
Flanged Case



**Metal Bracket
(E Bracket)**



**Mounting Holes
For E Bracket**



Notes:
Tolerances \pm .010 unless otherwise noted



3220 Commander Drive, Suite 102, Carrollton, Texas 75006

Sales: Call Toll Free (888) 997-3933 Fax (818) 342-5296 email: pickerwest@sbcglobal.net URL: pickercomponents.com