

Timers

Delay on Operate

Types A 108, A 101, A 208, A 201



- Time ranges: 0.15 s to 600 s
- Automatic start
- Knob-adjustable time within range
- Oscillator-controlled time circuit
- Repeatability deviation: $\leq 1\%$
- Output: 10 A SPDT or 8 A DPDT relay
- Plug-in type module
- Scantimer housing
- LED-indication for relay on
- AC or DC power supply

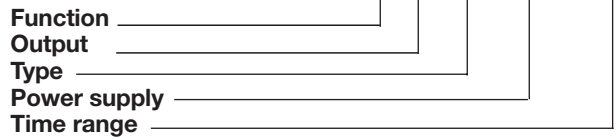
Product Description

Mono-function, plug-in, delay on operate miniature time relays up to 600 s (10 min) covering 3 individual time ranges. These economical

relays can be used to prevent several motors from starting simultaneously due to power supply interruptions.

Ordering Key

A 108 024 600



Type Selection

| Plug | Output | Time ranges | Supply: 24 VAC/DC | Supply: 120 VAC | Supply: 220 VAC |
|--------------------|--------|-------------|-------------------|-----------------|-----------------|
| Circular 8 pin | SPDT | 0.15- 6 s | A 108 024 006 | A 108 120 006 | A 108 220 006 |
| | | 1.5 - 60 s | A 108 024 060 | A 108 120 060 | A 108 220 060 |
| | | 15 -600 s | A 108 024 600 | A 108 120 600 | A 108 220 600 |
| Circular 11 pin | | 0.15- 6 s | A 101 024 006 | A 101 120 006 | A 101 220 006 |
| | | 1.5 - 60 s | A 101 024 060 | A 101 120 060 | A 101 220 060 |
| | | 15 -600 s | A 101 024 600 | A 101 120 600 | A 101 220 600 |
| Circular 8 pin | DPDT | 0.15- 6 s | A 208 024 006 | A 208 120 006 | A 208 220 006 |
| | | 1.5 - 60 s | A 208 024 060 | A 208 120 060 | A 208 220 060 |
| | | 15 -600 s | A 208 024 600 | A 208 120 600 | A 208 220 600 |
| Circular 11 pin | | 0.15- 6 s | A 201 024 006 | A 201 120 006 | A 201 220 006 |
| | | 1.5 - 60 s | A 201 024 060 | A 201 120 060 | A 201 220 060 |
| | | 15 -600 s | A 201 024 600 | A 201 120 600 | A 201 220 600 |

Time Specifications

| | | | |
|---------------------|---|-------------------------|--|
| Time ranges | 0.15- 6 s 1.5 - 60 s 15 - 600 s | Repeatability deviation | $\leq 1\%$ |
| Time range accuracy | 0 to +10% on max. min. actual time \leq min. set time | Time variation | $\leq 0.05\%/V$ $\leq 0.2\%/^{\circ}C$ |
| | | Reset | Power supply interruption ≥ 250 ms |
| | | Time and/or relay | |



Output Specifications

| | A 108, A 101 | A 208, A 201 |
|----------------------------------|---|--|
| Output | SPDT relay | DPDT relay |
| Basic electrical insulation | 250 VAC (rms) (contact/electronics) | 250 VAC (rms) (contacts/elec., contact/contact) |
| Contact ratings (Ag-CdO) | μ (micro gap) | μ (micro gap) |
| Resistive loads | AC 1 10 A/250 VAC (2500 VA) DC 1 1 A/250 VDC (250 W) or 10 A/25 VDC (250 W) | 8 A/250 VAC (2000 VA) 0.4 A/250 VDC (100 W) 4 A/25 VDC (100 W) |
| Small inductive loads | AC 15 2.5 A/230 VAC DC 13 5 A/24 VDC | 2.5 A/230 VAC 5 A/24 VDC |
| Mechanical life | ≥ 30 x 10 ⁶ operations | ≥ 30 x 10 ⁶ operations |
| Electrical life | AC 1 ≥ 2.5 x 10 ⁵ operations (at max. load) | ≥ 2.5 x 10 ⁵ operations (at max. load) |
| Operating frequency | ≤ 7200 operations/h | ≤ 7200 operations/h |
| Insulation voltages | | |
| Rated insulation voltage | ≥ 2.0 kVAC (rms) (contact/electronics) | ≥ 2.0 kVAC (rms) (contact/electronics) |
| Rated transient protection volt. | 4 kV (1.2/50 μs) (contact/electronics) (IEC 60664) | 4 kV (1.2/50 μs) (contact/electronics) (IEC 60664) |

Supply Specifications

| | |
|---|--|
| Power supply AC types | installation cat. III (IEC 60664) |
| Rated operational voltage through pins 2 & 10 or pins 2 & 7 | 220 220 VAC + 15/- 20%, 45 to 65 Hz 120 120 VAC + 15/- 20%, 45 to 65 Hz 024 24 VAC + 15/- 20%, 45 to 65 Hz |
| Drop out tolerance | ≥ 10 ms |
| Rated insulation voltage | None |
| Rated transient protection volt. | 4 kV (1.2/50 μs) @ 220 VAC 2.5 kV (1.2/50 μs) @ 120 VAC 800 V (1.2/50 μs) @ 24 VAC (line/neutral) |
| Power supply DC type | Installation cat. III (IEC 60664) |
| Rated operational voltage 024 | 24 VDC + 15/- 20% (pin 2 pos.) |
| Rated insulation voltage | None |
| Rated transient protection volt. | 800 V (1.2/50 μs) |
| Consumption | |
| AC supply | 60 mA @ 50 Hz/70 mA @ 60 Hz |
| DC supply | 1 W |

General Specifications

| | |
|---------------------------------|--------------------------------|
| Power-on delay | ≤ 200 ms |
| Power-off delay | ≥ 250 ms |
| Indication for Output ON | LED, red |
| Environment | IP 20 B 2 (IEC 60664) |
| Pollution degree | |
| Operating temperature | -20° to +50°C (-4° to +122°F) |
| Storage temperature | -50° to +85°C (-58° to +185°F) |
| Weight | 85 g |
| Approvals | UL, CSA |

Mode of Operation

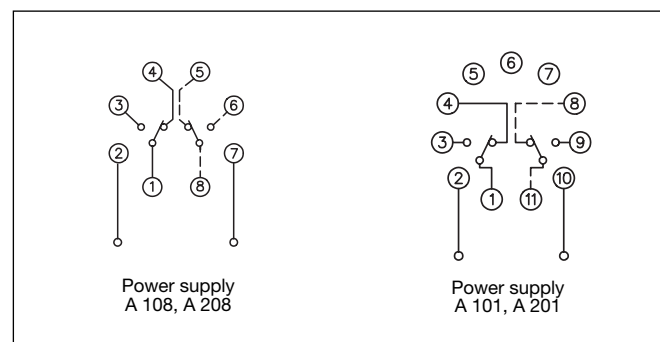
The delay period begins when power supply is applied.

At the end of the set delay, the relay will operate and will not release until power supply is interrupted.

A recovery period of 250 ms should be allowed before re-applying power supply.

If power supply is interrupted for more than 250 ms before the relay operates, the time circuit is reset to zero and the time relay is ready for a new time period.

Wiring Diagrams





Time Setting

Knob-adjustable on scale in seconds.

Accessories

| | |
|--------------------|--------------|
| Sockets◊ | S 408, S 411 |
| Hold down spring◊ | HF |
| Mounting rack | SM 13 |
| Socket cover | BB4 |
| Potentiometer lock | PL 1 |

For further information refer to "Accessories".

Operation Diagram

