

PLEASE CHECK WWW.MOLEX.COM FOR LATEST PART INFORMATION

Part Number: [0393570008](#)
Status: **Active**
Description: 3.50mm (.138") Pitch Beau Eurostyle™ Fixed Mount PCB Terminal Block, 8 Circuits

Documents:

[3D Model](#) [RoHS Certificate of Compliance \(PDF\)](#)
[Drawing \(PDF\)](#)

Agency Certification

UL E48521

General

Product Family	Terminal Blocks
Series	39357
Application	Wire-to-Board
Component Type	One Piece
Product Literature Order No	USA-283
Product Name	Eurostyle™ Fixed Mount
Type	Euro Block

Physical

Circuits (Loaded)	8
Circuits (maximum)	8
Entry Angle	Horizontal
Flammability	94V-0
Lock to Mating Part	None
Number of Rows	1
Orientation	Vertical
PC Tail Length (in)	0.138 In
PC Tail Length (mm)	3.50 mm
PCB Retention	None
PCB Thickness Recommended (in)	0.062 In
PCB Thickness Recommended (mm)	1.60 mm
Panel Mount	No
Pitch - Mating Interface (in)	0.138 In
Pitch - Mating Interface (mm)	3.50 mm
Pitch - Term. Interface (in)	0.138 In
Pitch - Term. Interface (mm)	3.50 mm
Polarized to Mating Part	No
Shrouded	Fully
Stackable	Yes
Surface Mount Compatible (SMC)	No
Temperature Range - Operating	-30°C to +85°C
Wire Size AWG	16, 18, 20, 22, 24, 26, 28
Wire Size mm²	0.20 - 1.00

Electrical

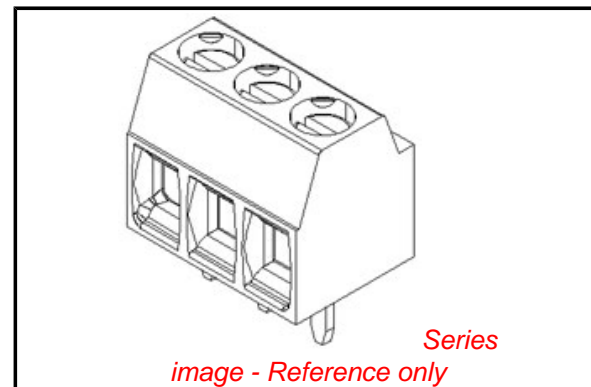
Current - Maximum per Contact	17.5A
Voltage - Maximum	300V

Solder Process Data

Lead-free Process Capability	Wave Capable (TH only)
Max. Cycles at Max. Process Temperature	5
Process Temperature max. C	260

Material Info

Old Part Number	350108
-----------------	--------



EU RoHS

RoHS Compliant by Exemption
REACH SVHC
 Not Reviewed
Halogen-Free
Status
Not Reviewed

China RoHS



Need more information on product environmental compliance?

Email productcompliance@molex.com
 For a multiple part number RoHS Certificate of Compliance, [click here](#)

Please visit the [Contact Us](#) section for any non-product compliance questions.

Search Parts in this Series
[39357Series](#)

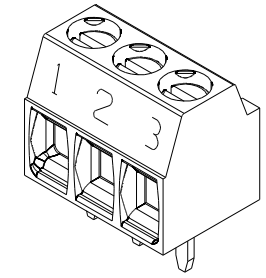
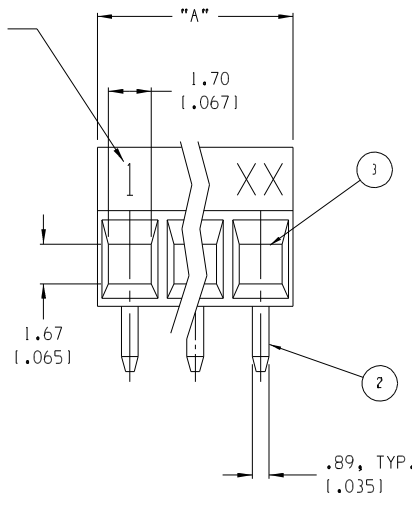
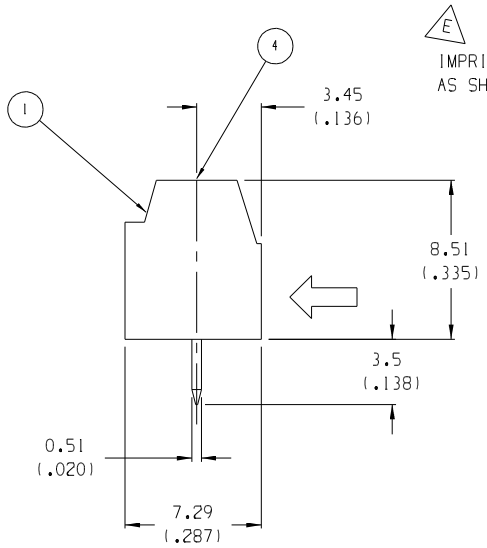
Reference - Drawing Numbers

Sales Drawing

SD-39357-001

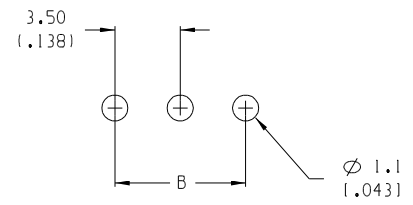
This document was generated on 04/22/2010

PLEASE CHECK WWW.MOLEX.COM FOR LATEST PART INFORMATION



3 CIRCUIT SHOWN

NO. OF CIRCUITS "XX"	DIM. "A"		DIM. "B"		MATERIAL NO.	MATERIAL NO. 10A IMPRINT
02	7.0	1.281	3.50	1.1381	39357-0002	
03	10.5	1.411	7.00	1.2761	39357-0003	393590004
04	14.0	1.551	10.50	1.4131	39357-0004	
05	17.5	1.691	14.00	1.5511	39357-0005	393590003
06	21.0	1.831	17.50	1.6891	39357-0006	
07	24.5	1.961	21.00	1.8271	39357-0007	
08	28.0	1.101	24.50	1.9651	39357-0008	
09	31.5	1.1241	28.00	1.1021	39357-0009	
10	35.0	1.1381	31.50	1.2401	39357-0010	
11	38.5	1.1521	35.00	1.13781	39357-0011	
12	42.0	1.1651	38.50	1.15161	39357-0012	
13	45.5	1.1791	42.00	1.16541	39357-0013	
14	49.0	1.1931	45.50	1.17911	39357-0014	
15	52.5	1.2071	49.00	1.19291	39357-0015	
16	56.0	1.2201	52.50	1.20671	39357-0016	
17	59.5	1.2341	56.00	1.22051	39357-0017	
18	63.0	1.2481	59.50	1.23431	39357-0018	
19	66.5	1.2621	63.00	1.24801	39357-0019	
20	70.0	1.2761	66.50	1.26181	39357-0020	
21	73.5	1.2891	70.00	1.27561	39357-0021	
22	77.0	1.3031	73.50	1.28941	39357-0022	
23	80.5	1.3171	77.00	1.30311	39357-0023	
24	84.0	1.3311	80.50	1.31691	39357-0024	
25	87.5	1.3441	84.00	1.33071	39357-0025	



- NOTES:
1. MATERIAL: SEE TABLE
 2. FINISHES: SEE TABLE
 3. PRODUCT SPECIFICATION: NOT REQUIRED
 4. PACKAGING: NOT REQUIRED
 5. MATES WITH: NONE

ITEM	QTY.	DESCRIPTION	MATERIAL	FINISH
4	XX	SCREW, M2	COPPER	NICKEL
3	XX	CAGE CLAMP	COPPER	NICKEL
2	XX	TERMINAL, PC	COPPER	TIN
1	1	INSULATOR	POLYAMIDE	BLACK

EC NO. 4242 DRWG: RK 9-26-05 CH#: APPR:	QUALITY SYMBOLS: MAJOR CRITICAL SPC S	GENERAL TOLERANCES: (UNLESS SPECIFIED)	SCALE 4:1	DESIGN UNITS <input type="checkbox"/> mm <input checked="" type="checkbox"/> INCH	THIRD ANGLE PROJECTION <input checked="" type="checkbox"/> mm <input type="checkbox"/> INCH <input type="checkbox"/> mm ONLY	PROJECT NO. 04-124	SHT	REV
		4 PLACES ±.0015 3 PLACES ±.0038 ±.005 2 PLACES ±.13 ±.01 1 PLACE ±.3	DRAWN BY & DATE R. KEMP 1-21-03 CHECKED BY & DATE R. STONE 1-21-03 APPROVED BY & DATE P. WALTZ 1-21-03	TITLE: 3.5mm EUROSTYLE LOW, SINGLE ROW FIXED BLOCK		DIMENSIONS:	REVISE ON CAD ONLY	
EC NO. 4242 DRWG: RK 9-26-05 CH#: APPR:	DESCRIPTION REV	ANGULAR: ±2° DRAFT WHERE APPLICABLE MUST REMAIN WITHIN DIMENSIONS	CAD FILENAME 3501XX	MATERIAL NO. SEE CHART	DRAWING NO. SD-39357-001	SHEET NO. 1 OF 1	SIZE B	

THIS DRAWING CONTAINS INFORMATION THAT IS PROPRIETARY TO MOLEX INCORPORATED AND SHOULD NOT BE USED WITHOUT WRITTEN PERMISSION.