

**PLEASE CHECK WWW.MOLEX.COM FOR LATEST PART INFORMATION**

**Part Number:** [0393570006](#)  
**Status:** **Active**  
**Description:** 3.50mm (.138") Pitch Beau Eurostyle™ Fixed Mount PCB Terminal Block, 6 Circuits

**Documents:**

[3D Model](#) [RoHS Certificate of Compliance \(PDF\)](#)  
[Drawing \(PDF\)](#)

**Agency Certification**

UL E48521

**General**

Product Family	Terminal Blocks
Series	39357
Application	Wire-to-Board
Component Type	One Piece
Product Literature Order No	USA-283
Product Name	Eurostyle™ Fixed Mount
Type	Euro Block

**Physical**

Circuits (Loaded)	6
Circuits (maximum)	6
Entry Angle	Horizontal
Flammability	94V-0
Lock to Mating Part	None
Number of Rows	1
Orientation	Vertical
PC Tail Length (in)	0.138 In
PC Tail Length (mm)	3.50 mm
PCB Retention	None
PCB Thickness Recommended (in)	0.062 In
PCB Thickness Recommended (mm)	1.60 mm
Panel Mount	No
Pitch - Mating Interface (in)	0.138 In
Pitch - Mating Interface (mm)	3.50 mm
Pitch - Term. Interface (in)	0.138 In
Pitch - Term. Interface (mm)	3.50 mm
Polarized to Mating Part	No
Shrouded	Fully
Stackable	Yes
Surface Mount Compatible (SMC)	No
Temperature Range - Operating	-30°C to +85°C
Wire Size AWG	16, 18, 20, 22, 24, 26, 28
Wire Size mm²	0.20 - 1.00

**Electrical**

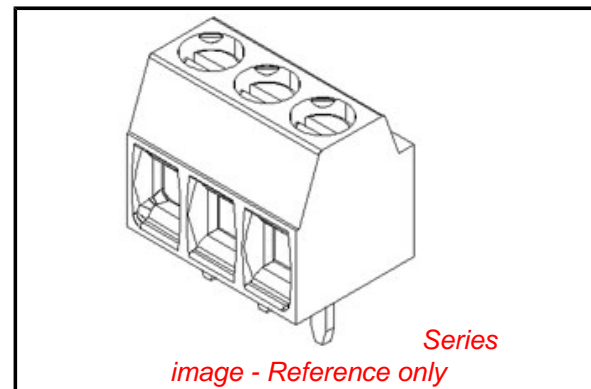
Current - Maximum per Contact	17.5A
Voltage - Maximum	300V

**Material Info**

Old Part Number	350106
-----------------	--------

**Reference - Drawing Numbers**

Sales Drawing	SD-39357-001
---------------	--------------



**EU RoHS**

**RoHS Compliant by Exemption**  
**REACH SVHC**  
 Not Reviewed  
**Halogen-Free**  
**Status**  
**Not Reviewed**

**China RoHS**



**Need more information on product environmental compliance?**

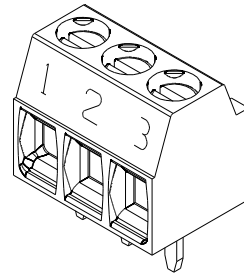
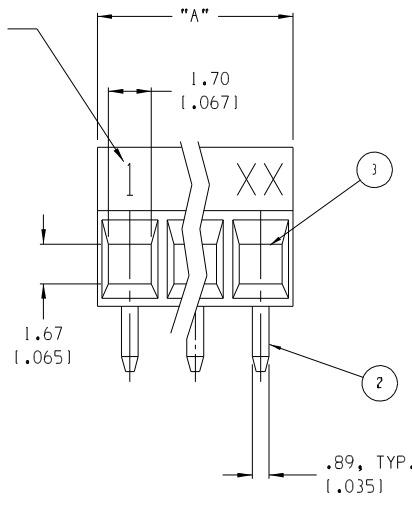
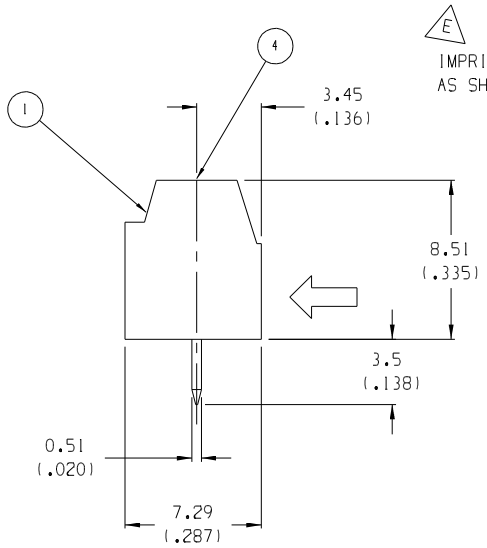
Email [productcompliance@molex.com](mailto:productcompliance@molex.com)  
 For a multiple part number RoHS Certificate of Compliance, [click here](#)

Please visit the [Contact Us](#) section for any non-product compliance questions.

**Search Parts in this Series**  
[39357Series](#)

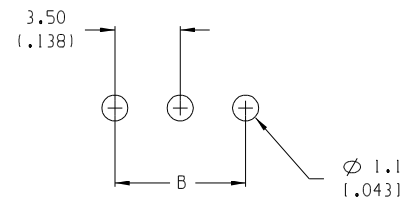
This document was generated on 04/22/2010

**PLEASE CHECK [WWW.MOLEX.COM](http://WWW.MOLEX.COM) FOR LATEST PART INFORMATION**



3 CIRCUIT SHOWN

NO. OF CIRCUITS "XX"	DIM. "A"	DIM. "B"	MATERIAL NO.	MATERIAL NO. 10A IMPRINT
02	7.0 1.281	3.50 1.1381	39357-0002	
03	10.5 1.411	7.00 1.2761	39357-0003	393590004
04	14.0 1.551	10.50 1.4131	39357-0004	
05	17.5 1.691	14.00 1.5511	39357-0005	393590003
06	21.0 1.831	17.50 1.6891	39357-0006	
07	24.5 1.961	21.00 1.8271	39357-0007	
08	28.0 1.1.101	24.50 1.9651	39357-0008	
09	31.5 1.1.241	28.00 1.1.1021	39357-0009	
10	35.0 1.1.381	31.50 1.1.2401	39357-0010	
11	38.5 1.1.521	35.00 1.1.3781	39357-0011	
12	42.0 1.1.651	38.50 1.1.5161	39357-0012	
13	45.5 1.1.791	42.00 1.1.6541	39357-0013	
14	49.0 1.1.931	45.50 1.1.7911	39357-0014	
15	52.5 1.2.071	49.00 1.1.9291	39357-0015	
16	56.0 1.2.201	52.50 1.2.0671	39357-0016	
17	59.5 1.2.341	56.00 1.2.2051	39357-0017	
18	63.0 1.2.481	59.50 1.2.3431	39357-0018	
19	66.5 1.2.621	63.00 1.2.4801	39357-0019	
20	70.0 1.2.761	66.50 1.2.6181	39357-0020	
21	73.5 1.2.891	70.00 1.2.7561	39357-0021	
22	77.0 1.3.031	73.50 1.2.8941	39357-0022	
23	80.5 1.3.171	77.00 1.3.0311	39357-0023	
24	84.0 1.3.311	80.50 1.3.1691	39357-0024	
25	87.5 1.3.441	84.00 1.3.3071	39357-0025	



- NOTES:
1. MATERIAL: SEE TABLE
  2. FINISHES: SEE TABLE
  3. PRODUCT SPECIFICATION: NOT REQUIRED
  4. PACKAGING: NOT REQUIRED
  5. MATES WITH: NONE

ITEM	QTY.	DESCRIPTION	MATERIAL	FINISH
4	XX	SCREW, M2	COPPER	NICKEL
3	XX	CAGE CLAMP	COPPER	NICKEL
2	XX	TERMINAL, PC	COPPER	TIN
1	1	INSULATOR	POLYAMIDE	BLACK

EC NO. ECN# 4242  
 DRWG: RK 9-26-05  
 CH#: APPR:

QUALITY SYMBOLS  
 MAJOR  
 CRITICAL  
 SPC  
 S

GENERAL TOLERANCES: (UNLESS SPECIFIED)		SCALE	DESIGN UNITS	THIRD ANGLE PROJECTION
4 PLACES	mm INCH	4:1	mm [ ] INCH [X]	<input checked="" type="checkbox"/> THIRD ANGLE PROJECTION
3 PLACES	±.03B ±.005			
2 PLACES	±.13 ±.01			
1 PLACE	±.3			
ANGULAR: ±2°				
DRAFT WHERE APPLICABLE MUST REMAIN WITHIN DIMENSIONS				

DRAWN BY & DATE  
 R. KEMP 1-21-03  
 CHECKED BY & DATE  
 R. STONE 1-21-03  
 APPROVED BY & DATE  
 P. WALTZ 1-21-03  
 CAD FILENAME  
 3501XX

PROJECT NO. 04-124

DIMENSIONS:  mm  INCH  mm ONLY

SHT REV

REVISE ON CAD ONLY

TITLE: 3.5mm EUROSTYLE LOW, SINGLE ROW FIXED BLOCK

**MOLEX INCORPORATED**

MATERIAL NO. SEE CHART  
 DRAWING NO. SD-39357-001  
 SHEET NO. 1 OF 1

THIS DRAWING CONTAINS INFORMATION THAT IS PROPRIETARY TO MOLEX INCORPORATED AND SHOULD NOT BE USED WITHOUT WRITTEN PERMISSION.

SIZE B