

NEMA line Outlet 5-15R, Snap-in Mounting, Front Side, IDC- or Quick-connect Terminal



Description

- Panel Mount:
Snap-in, Front-Side
- 1 Function:
Line Outlet Protection class I
- Quick connect terminals or wires

Approvals

- UL License Number: E132269
- CSA License Number: 73690

Characteristics

- Designed for standard applications

References

[General Product Information](#)

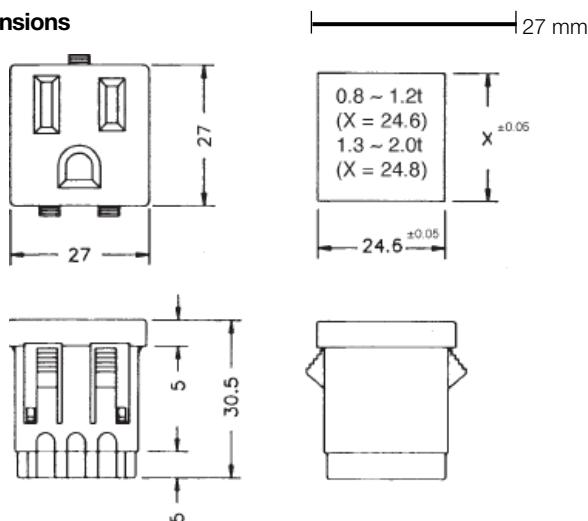
Weblinks

[Approvals, RoHS, CHINA-RoHS, Mating Connectors, e-Store, Distributor-Stock-Check, Accessories](#)

Technical Data

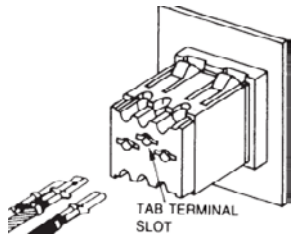
Ratings IEC	15 A / 250VAC; Hz
Ratings UL/CSA	15 A / 125VAC; 60Hz
Allowable Operation Temp.	-25 °C to +85 °C
Degree of Protection	from front side IP 20 acc. to IEC 60529
Protection Class	Suitable for appliances with protection class 1 acc. to IEC 61140
Terminal	Quick-Connect or Wire (solid)
Panel Thickness s	Snap-in 0.8mm to 2mm
Material: Housing	Thermoplastic, black

Dimensions

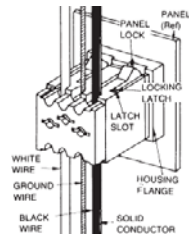


Panel thickness	X
0.8 - 1.2 mm	24.6 mm
1.3 - 2.0 mm	24.8 mm

Dimensions



Quick connect mounting (5.2mm x 0.5mm)



Solid Wire connection (12-14AWG)

Variants

Type	Protection Class	Panel mounting	Panel Thickness s [mm]	Terminal	Order Number
0710	1	Snap-in	0.8 -2	Quick connect terminals or wires	4300.0703

Packaging unit

50 Pcs

Mating Inlets/Plugs

Category / Description

Power Supply Cord Overview complete



Power Supply Cord with NEMA 5-15 Power (Mains) Plug 3-pole, Angled	1140
Power Supply Cord with NEMA 1-15 Power (Mains) Plug 2-pole, Straight	4190
Power Supply Cord with NEMA 1-15 Power (Mains) Plug 2-pole, Straight	419c
Power Supply Cord with NEMA 5-15 Power (Mains) Plug 3-pole, Straight	4390

Power Supply Cord further types to 0710

Power Supply or Interconnection Cord Overview complete



Divers Power Supply and Interconnection Cords 10 A	6009.1315
Divers Power Supply and Interconnection Cords 16 A	6009.5195
Divers Power Supply and Interconnection Cords 10 A	6047.6414
Divers Power Supply and Interconnection Cords 2.5 A	CS01.0221.150
Divers Power Supply and Interconnection Cords 2.5 A	CS02.0221.150

Power Supply or Interconnection Cord further types to 0710