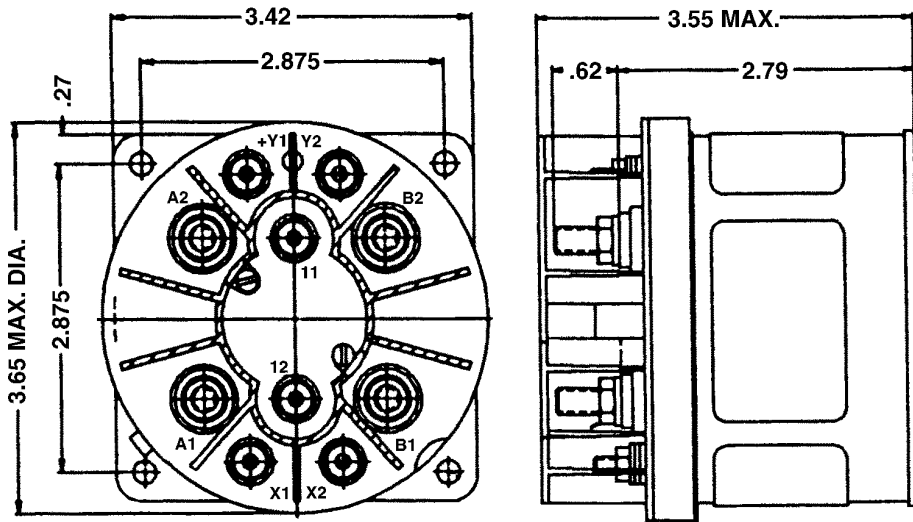


D-32AB 2SPST, Center Off, Double Break, 100 Amps, 28 VDC

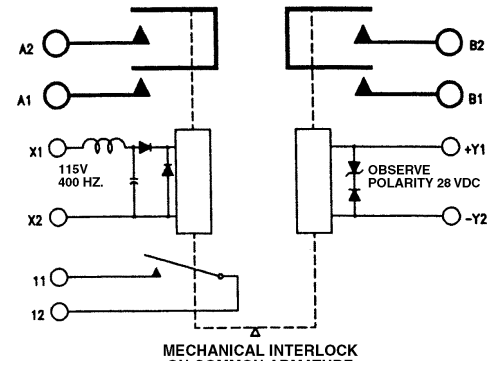


Features:

- 2SPST Center Off, Double Break Main Contacts
- Radio Noise Filter on "X" Coil
- Transient Suppression on "Y" Coil
- 28 VDC
- 100 Amps
- High Reliability
- Meets many requirements of MIL-R-6106
- Light Weight Construction



CONTACTOR CONFIGURATION



Notes:

Dimensions for this product are expressed in inches. Multiply values by 25.4 for millimeters.

PRODUCT SPECIFICATIONS	
Construction	Gasket Sealed, Vented
Main Contacts:	
Configuration	2SPST N.O. Center Off
Voltage (Nominal)	28 VDC
Current (Resistive)	100 Amps
Coil Data:	
Duty Cycle	X1-X1 COIL Y1-Y2 COIL
Voltage (Nominal)	Continuous Continuous
Pick-Up Voltage	115 Volts, 400 Hz 28 VDC
Drop-Out Voltage	75 VAC Maximum 18 VDC Maximum
Coil Current @ +25°C	12 - 38 Volts 2.5 - 6.5 VDC
Operating Temperature	50 mA DC Av. Maximum 130 mA Maximum
Life:	
Electrical	-55°C to +71°C
Mechanical	50,000 Cycles
Weight Maximum	100,000 Cycles
	1 Lb. 15 Oz.

For factory-direct application assistance, contact the HARTMAN product team at (419) 521-9500, Fax (419) 526-2749.

© 2004 by Tyco Electronics Corporation. All Rights Reserved. HARTMAN and TYCO are trademarks.