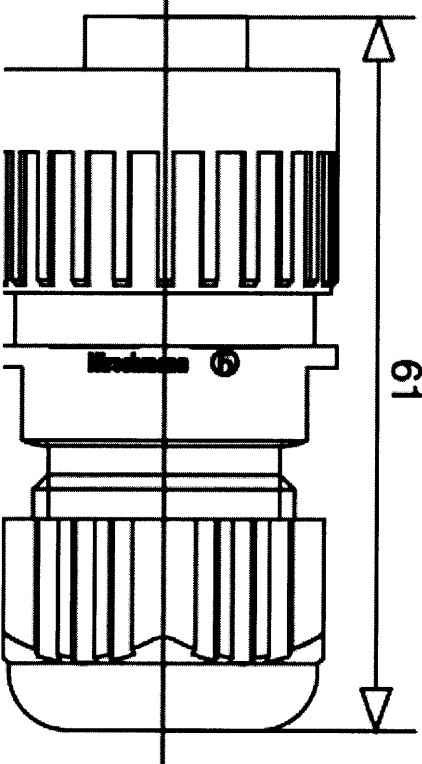


Products

[back](#)

[Automation and Network Solutions](#) » [Connectivity](#) » [Industrial Connectors](#) » [Connectors for mains connection](#) » [CA Connector](#) » [3 + PE](#) »

CA 3 LD Order-No.:
934 125-100



[back](#)

Product search:

[To the top](#) | [Email](#)

© Hirschmann Electronics GmbH & Co. KG
An [Aditron AG](#) Company

Products

[back](#)

[Automation and Network Solutions](#) » [Connectivity](#) » [Industrial Connectors](#) » [Connectors for mains connection](#) » [CA Connector](#) » 3 + PE »

CA 3 LD

Order-No.:
934 125-100

Cable socket
Type of connection: screw
Conductor cross-section: max. 1.5 mm²
Operating voltage: 250 V DC / 400 V AC
Operating current: 10 A DC / 16 A AC

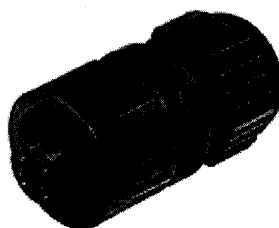
- International approvals for world-wide use:
VDE, UR, SEV, CSA
- Housings made of impact-resistant plastic
with screw locking system
- Easy handling for a quick assembly with
integrated strain relief
- Useful in industry due to protection against
dust and water

Basic data
Protection class: IP 67
Pollution severity class: 3
Strain relief by means of 6 mm-12 mm
Contact surface: Cu Zn

[technical drawing](#)

Other Products in this group:

CA 3 LD



Product search:

[To the top](#) | [Email](#)

© Hirschmann Electronics GmbH & Co. KG
An [Aditron AG](#) Company