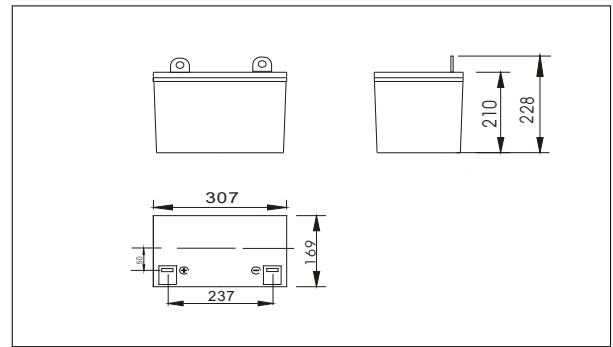




SW12900E(12V90AH)



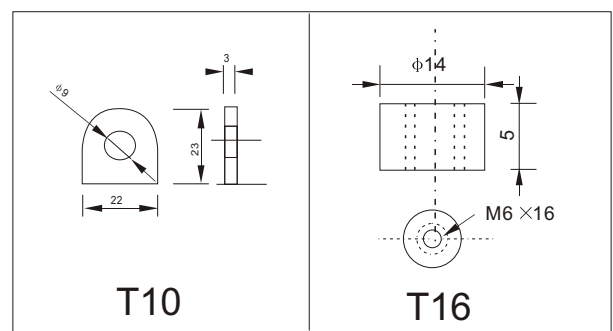
Outer dimensions (mm)



Specifications

Nominal Voltage		12V
Rated capacity (10 hour rate)		90 Ah
Dimensions	Total Height	228 mm (8.98 inches)
	Height	210 mm (8.27 inches)
	Length	307 mm (12.08 inches)
	Width	169mm (6.65 inches)
Weight Approx		28Kg (61.6lbs)

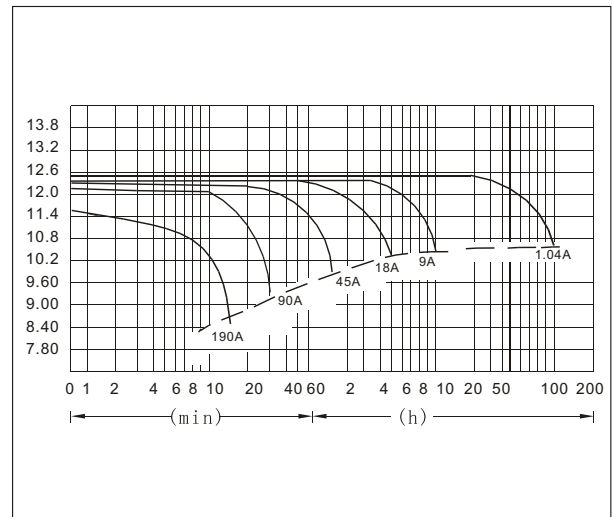
Terminal Type (mm)



Characteristics

Capacity 25°C(77°F)	10 hour rate(9.0 A)	90 AH
	5 hour rate(14.4 A)	72 AH
	1 hour rate(49.5 A)	49.5 AH
Internal Resistance	1.5 hour discharge to 10.5V	36 A
	Full charged Battery at 25°C(77°F)	5 mΩ
Capacity affected by Temperature (10hour rate)	40°C(104°F)	102%
	25°C(77°F)	100%
	0°C(32°F)	85%
	-15°C(5°F)	65%
Self-Discharge at 25°C(77°F)	Capacity after 3 month storage	91%
	Capacity after 6 month storage	82%
	Capacity after 12 month storage	64%
Terminal		T10 T16
Charge (constant Voltage)	Cycle	Initial Charging Current less than 22.5 A Voltage 14.10-14.40V
	Float	Voltage 13.50-13.80V

Discharge Curves 25°C(77°F)



Constant Current(Amp) and Constant Power(Watt) Discharge Table at 25°C(77°F)

Time		10min	30min	1h	3h	4h	5h	8h	10h	20h	50h	100h
9.60V	A	190	103	54	23.1	18.0	14.9	10.5	9.5	5.10	2.12	1.09
	W	2109	1099	625	268	208	172	121	109	59.1	25.3	13.0
10.20V	A	185	100	50.8	22.5	17.6	14.6	10.2	9.2	4.98	2.05	1.06
	W	2028	1089	588	261	203	169	119	107	57.6	24.4	12.6
10.50V	A	176	95	49	22.0	17.3	14.4	10.2	9.0	4.91	2.02	1.04
	W	1966	1028	569	254	200	167	118	105	56.9	24.0	12.3
10.80V	A	165	92	48	21.4	17.0	14.0	9.9	8.8	4.86	1.98	1.03
	W	1889	989	544	249	196	163	115	105	56.6	23.6	12.2
11.10V	A	151	85	45	20.7	16.5	13.7	9.6	8.55	4.62	1.94	0.99
	W	1857	981	530	246	195	163	115	102	54.9	23.1	11.8