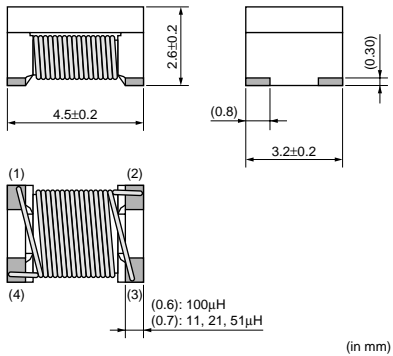


# For Automotive Common Mode Choke Coil for Automotive

## DLW43S Series (1812 Size)

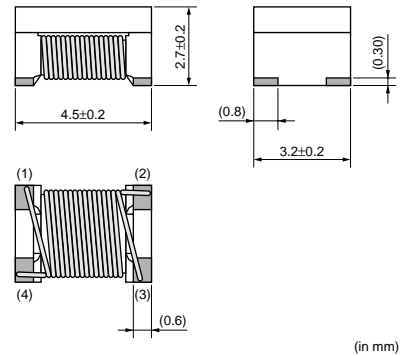
### ■ Dimensions

DLW43S\_XK Series



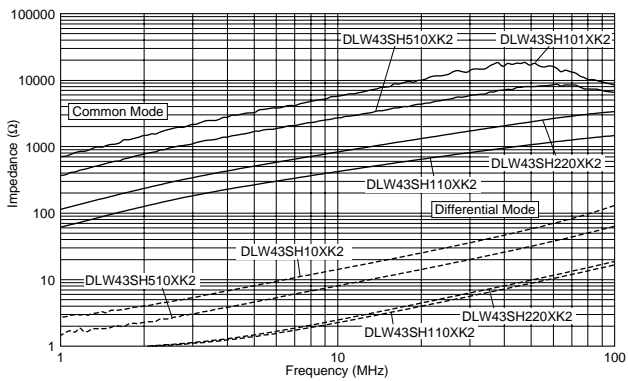
### ■ Dimensions

DLW43S\_XP Series



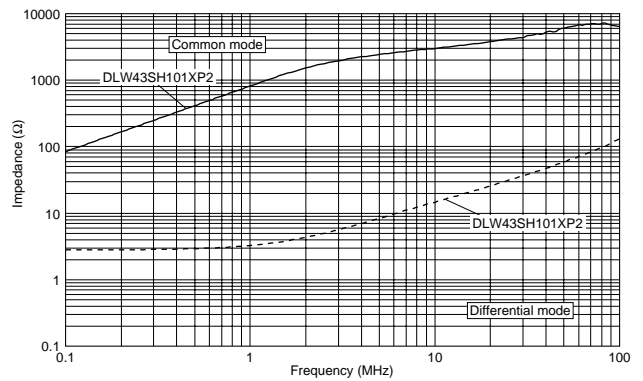
### ■ Impedance-Frequency Characteristics (Main Items)

DLW43S\_XK Series

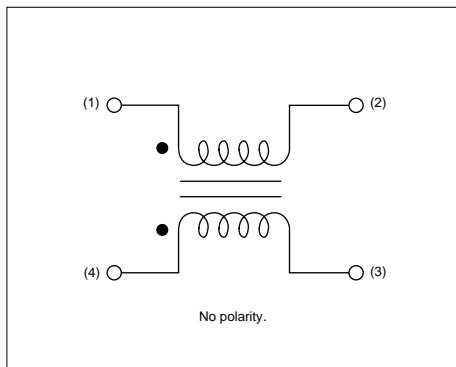


### ■ Impedance-Frequency Characteristics (Main Items)

DLW43S\_XP Series



### ■ Equivalent Circuit



### ■ Packaging


Code	Packaging	Minimum Quantity
L	180mm Embossed Tape	500
K	330mm Embossed Tape	2500
B	Bulk(Bag)	100

Continued on the following page.

● This data sheet is applied for CHIP COMMON MODE CHOKE COIL used for Automotive Electronics equipment for your design.

### ⚠ Note:

1. This datasheet is downloaded from the website of Murata Manufacturing co., Ltd. Therefore, it's specifications are subject to change or our products in it may be discontinued without advance notice. Please check with our sales representatives or product engineers before ordering.
2. This datasheet has only typical specifications because there is no space for detailed specifications. Therefore, please approve our product specifications or transact the approval sheet for product specifications before ordering.

 Continued from the preceding page.

■ **Rated Value** (□: packaging code)

Part Number	Common Mode Inductance	Rated Current	Rated Voltage	Insulation Resistance (min.)	Withstand Voltage	DC Resistance	Operating Temperature Range
DLW43SH110XK2□	11μH-30%/+50% (at 0.1MHz)	360mA	50Vdc	10M ohm	125Vdc	0.5ohm max	-40 to +125°C
DLW43SH220XK2□	22μH-30%/+50% (at 0.1MHz)	310mA	50Vdc	10M ohm	125Vdc	0.6ohm max	-40 to +125°C
DLW43SH510XK2□	51μH-30%/+50% (at 1MHz)	230mA	50Vdc	10M ohm	125Vdc	1.0ohm max	-40 to +125°C
DLW43SH101XK2□	100μH-30%/+50% (at 1MHz)	200mA	50Vdc	10M ohm	125Vdc	2.0ohm max	-40 to +125°C
DLW43SH101XP2□	100μH-30%/+80% (at 0.1MHz)	170mA	50Vdc	10M ohm	125Vdc	2.0ohm max	-40 to +125°C

Number of Circuit: 1

■  **Caution/Notice**

 **Caution (Rating)**

1. Do not use products beyond the rated current and rated voltage as this may create excessive heat and deteriorate the insulation resistance.
2. Be sure to provide an appropriate fail-safe function on your product to prevent a second damage that may be caused by the abnormal function or the failure our product.

**Notice**

Solderability of Tin plating termination chip might be deteriorated when low temperature soldering profile where peak solder temperature is below the Tin melting point is used. Please confirm the solderability of Tin plating termination chip before use.

● This data sheet is applied for CHIP COMMON MODE CHOKE COIL used for Automotive Electronics equipment for your design.

 **Note:**

1. This datasheet is downloaded from the website of Murata Manufacturing co., Ltd. Therefore, it's specifications are subject to change or our products in it may be discontinued without advance notice. Please check with our sales representatives or product engineers before ordering.
2. This datasheet has only typical specifications because there is no space for detailed specifications. Therefore, please approve our product specifications or transact the approval sheet for product specifications before ordering.