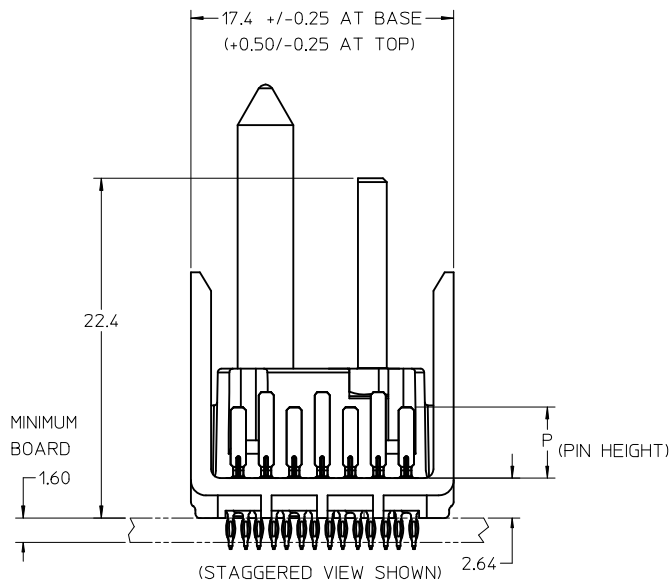
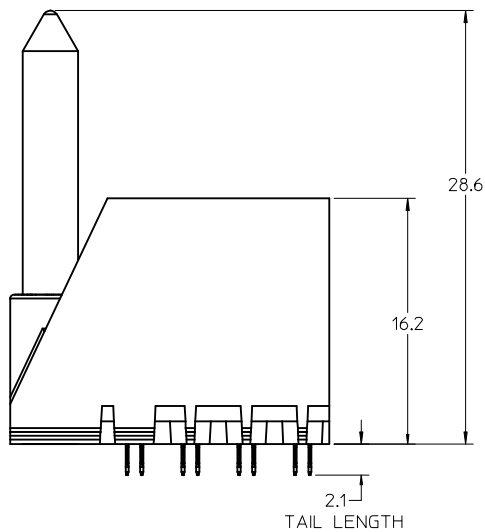
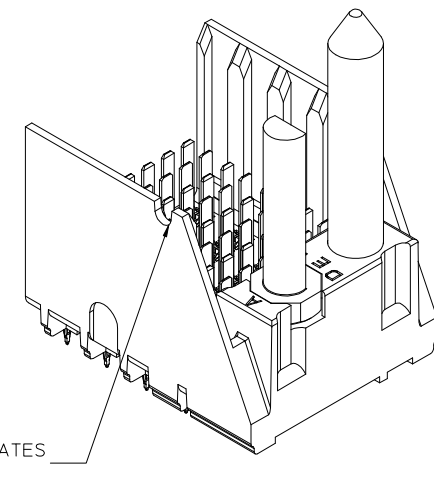
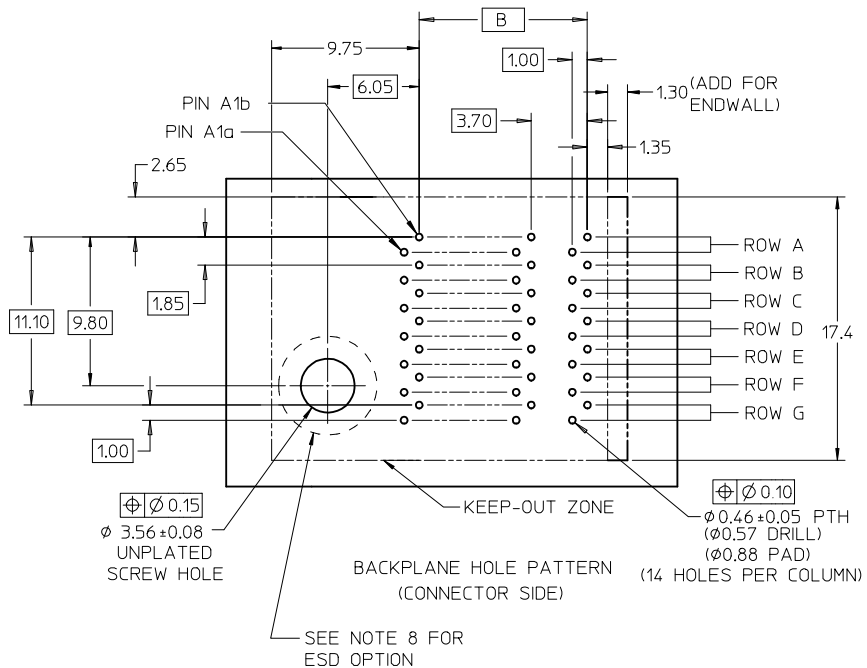


KEY SHOWN IN POSITION "E"



(STAGGERED VIEW SHOWN)



NOTCH DESIGNATES ROW A

REVISE SHEET FOUR EC NO: UCP2009-2507 DRWING: STEWART 2009/04/16 CHKD: J. INGHAM 2009/04/17 APPR: J. INGHAM 2009/04/17	QUALITY SYMBOLS ▽=0 ▽=0	GENERAL TOLERANCES (UNLESS SPECIFIED) <table border="1"> <tr> <th></th> <th>mm</th> <th>INCH</th> </tr> <tr> <td>4 PLACES</td> <td>± 0.25</td> <td>± 0.010</td> </tr> <tr> <td>3 PLACES</td> <td>± 0.20</td> <td>± 0.008</td> </tr> <tr> <td>2 PLACES</td> <td>± 0.13</td> <td>± 0.005</td> </tr> <tr> <td>1 PLACE</td> <td>± 0.25</td> <td>± 0.010</td> </tr> </table>		mm	INCH	4 PLACES	± 0.25	± 0.010	3 PLACES	± 0.20	± 0.008	2 PLACES	± 0.13	± 0.005	1 PLACE	± 0.25	± 0.010	DIMENSION STYLE MM ONLY	SCALE 4:1	DESIGN UNITS METRIC	THIRD ANGLE PROJECTION
		mm	INCH																		
	4 PLACES	± 0.25	± 0.010																		
	3 PLACES	± 0.20	± 0.008																		
2 PLACES	± 0.13	± 0.005																			
1 PLACE	± 0.25	± 0.010																			
DESCRIPTION I-TRAC BACKPLANE 7 ROW GUIDE LEFT ASSEMBLY	DRAWN BY BPISZCZOR	DATE 3/28/06	TITLE I-TRAC BACKPLANE 7 ROW GUIDE LEFT ASSEMBLY SALES DRAWING																		
MATERIAL NO. SEE CHART	CHECKED BY JLAURX	DATE 2007/02/06	MOLEX INCORPORATED																		
DRAFT WHERE APPLICABLE MUST REMAIN WITHIN DIMENSIONS	APPROVED BY CBIXLER	DATE 2007/02/06	DOCUMENT NO. SD-76015-002	SHEET NO. 1 OF 4	THIS DRAWING CONTAINS INFORMATION THAT IS PROPRIETARY TO MOLEX INCORPORATED AND SHOULD NOT BE USED WITHOUT WRITTEN PERMISSION																

76015-****

MODULE TYPE -- TAIL PLATING TYPE

GUIDE LEFT -- TIN/LEAD = 2
 GUIDE LEFT -- TIN ONLY = 3
 GUIDE LEFT W/END -- TIN/LEAD = 6
 GUIDE LEFT W/END -- TIN ONLY = 7

OF COLUMNS

4 = 4 COL
 6 = 6 COL
 1 = 10 COL

KEY ORIENTATION

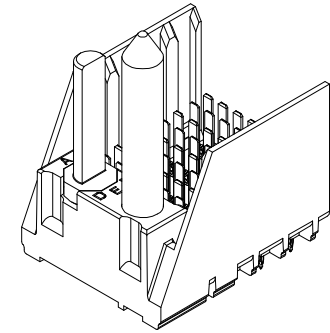
0 = NO KEY
 1 = A
 2 = B
 3 = C
 4 = D
 5 = E
 6 = F
 7 = G
 8 = H

PIN LENGTH (P)

2 = 3.90
 3 = 4.70
 4 = 5.70
 5 = 4.70 & 5.70 STAGGERED

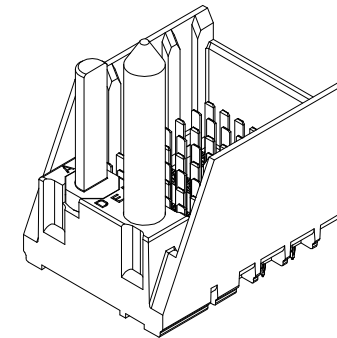
MATERIAL NUMBER	# OF COLUMNS	DIM "A"	DIM "B"
76015-4**	4	21.1	11.10
76015-6**	6	28.5	18.50
76015-1**	10	43.3	33.30

GUIDE LEFT STYLE



MATERIAL NUMBER	# OF COLUMNS	DIM "A"	DIM "B"
76015-4**	4	22.4	11.10
76015-6**	6	29.8	18.50
76015-1**	10	44.6	33.30

GUIDE LEFT W/END STYLE

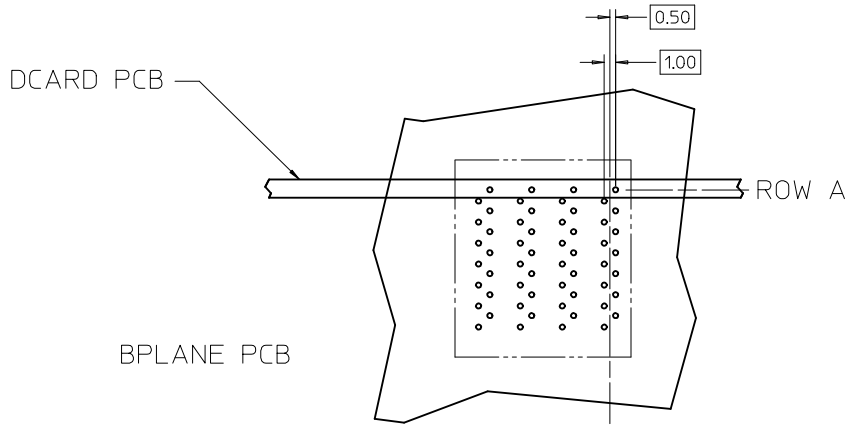


NOTES:

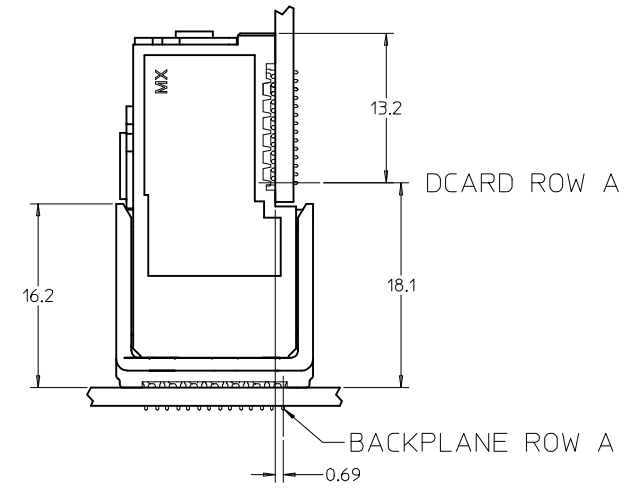
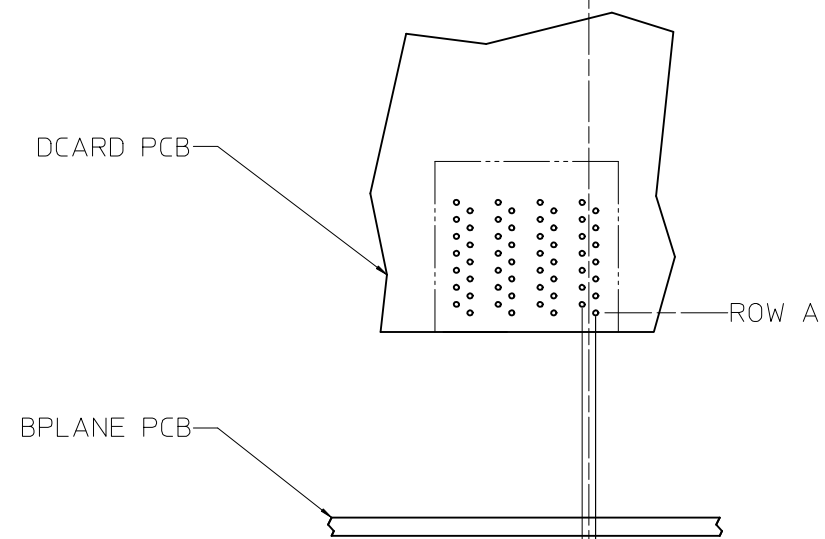
- MATERIALS: HOUSING - LIQUID CRYSTAL POLYMER (LCP)
GLASS-FILLED, UL94V-0
TERMINALS - HIGH PERFORMANCE COPPER ALLOY
- FINISH: 30uIN MIN. GOLD IN CONTACT AREA.
SELECTIVE TIN/LEAD OR SELECTIVE TIN
ON PCB TAILS. NICKEL OVERALL.
- REFER TO MOLEX PRODUCT SPECIFICATION PS-75710-999
FOR PERFORMANCE SPECIFICATIONS.
- FOR MIXED CONTACT MATING LENGTHS, CONSULT MOLEX
FOR AVAILABILITY.
- THIS PART CONFORMS TO CLASS B REQUIREMENTS OF
COSMETIC SPEC PS-45499-002.
- PACKAGE PER: PK-70873-802.
- GUIDED PARTS TO BE SHIPPED WITH 2-56 UNC B SCREW P/N 73774-1000.
- FOR GROUNDED GUIDE PINS USE DIA 3.56+/-0.08 (PTH),
DIA 3.66 (DRILL), AND DIA 6.5 (PAD).
- REFER TO PCB ROUTING GUIDE FOR ANTIPAD AND ROUTING RECOMMENDATIONS.

SEE SHEET ONE IEC NO: UCP2009-2507 DRWNG: STEWART 2009/04/16 CHKD: JB INGHAM 2009/04/17 APPR: JB INGHAM 2009/04/17	QUALITY SYMBOLS ▽=0 ▽=0	GENERAL TOLERANCES (UNLESS SPECIFIED)		DIMENSION STYLE	SCALE	DESIGN UNITS	THIRD ANGLE PROJECTION		
				MM ONLY	4:1	METRIC			
				DRAWN BY	DATE	TITLE			
				CHECKED BY	DATE	I-TRAC BACKPLANE 7 ROW GUIDE LEFT ASSEMBLY SALES DRAWING			
		1 PLACE ±0.25 ±---		APPROVED BY	DATE	MOLEX MOLEX INCORPORATED			
		ANGULAR ±1/2°		MATERIAL NO.	DOCUMENT NO.	SD-76015-002			
		DRAFT WHERE APPLICABLE MUST REMAIN WITHIN DIMENSIONS		SIZE	THIS DRAWING CONTAINS INFORMATION THAT IS PROPRIETARY TO MOLEX INCORPORATED AND SHOULD NOT BE USED WITHOUT WRITTEN PERMISSION				
				SEE CHART		SHEET NO. 2 OF 4			

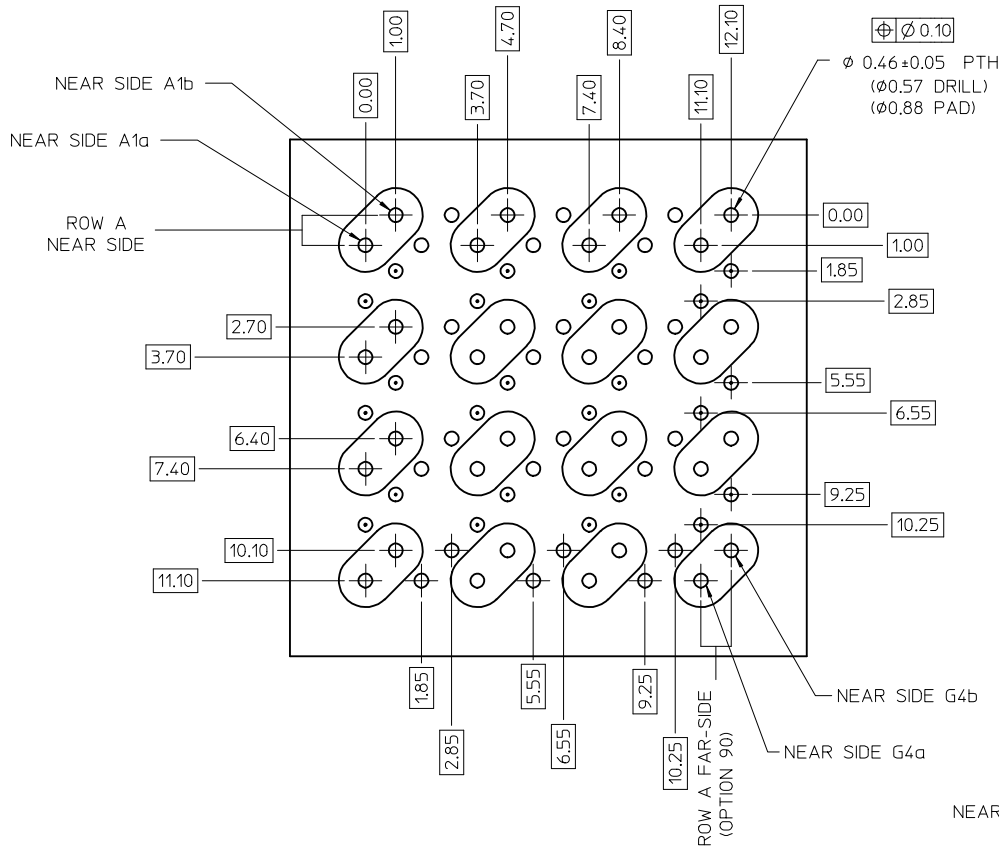
7 ROW I-TRAC BOARD RELATIONSHIPS



CENTERLINE OF
HOLE PATTERN
COLUMN

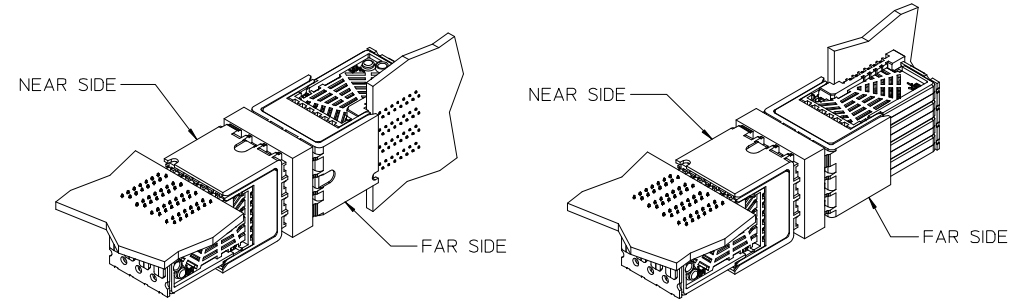


<p>SEE SHEET ONE</p> <p>EC NO: UCP2009-2507</p> <p>DRWNCSTEWART 2009/04/16</p> <p>CHKD: BINGHAM 2009/04/17</p> <p>APPR: BINGHAM 2009/04/17</p>	<p>QUALITY SYMBOLS</p> <p>▽=0</p> <p>▽=0</p>	GENERAL TOLERANCES (UNLESS SPECIFIED)		DIMENSION STYLE	SCALE	DESIGN UNITS	THIRD ANGLE PROJECTION	
				MM ONLY	4:1	METRIC		
				DRAWN BY	DATE	TITLE		
				CHECKED BY	DATE	I-TRAC BACKPLANE 7 ROW GUIDE LEFT ASSEMBLY SALES DRAWING		
		ANGULAR ±1/2°		APPROVED BY	DATE	MOLEX INCORPORATED		
		DRAFT WHERE APPLICABLE MUST REMAIN WITHIN DIMENSIONS		MATERIAL NO.	DATE	DOCUMENT NO.		
				SEE CHART	SD-76015-002			
				THIS DRAWING CONTAINS INFORMATION THAT IS PROPRIETARY TO MOLEX INCORPORATED AND SHOULD NOT BE USED WITHOUT WRITTEN PERMISSION			SHEET NO.	
							3 OF 4	



ORTHO PIN MAPPING			
OPTION 90 (NEAR SIDE - FAR SIDE)			
A1b-G4b	A2b-E4b	A3b-C4b	A4b-A4b
A1a-G4a	A2a-E4a	A3a-C4a	A4a-A4a
C1b-G3b	C2b-E3b	C3b-C3b	C4b-A3b
C1a-G3a	C2a-E3a	C3a-C3a	C4a-A3a
E1b-G2b	E2b-E2b	E3b-C2b	E4b-A2b
E1a-G2a	E2a-E2a	E3a-C2a	E4a-A2a
G1b-G1b	G2b-E1b	G3b-C1b	G4b-A1b
G1a-G1a	G2a-E1a	G3a-C1a	G4a-A1a

ORTHO PIN MAPPING			
OPTION 270 (NEAR SIDE - FAR SIDE)			
A1b-A1a	A2b-C1a	A3b-E1a	A4b-G1a
A1a-A1b	A2a-C1b	A3a-E1b	A4a-G1b
C1b-A2a	C2b-C2a	C3b-E2a	C4b-G2a
C1a-A2b	C2a-C2b	C3a-E2b	C4a-G2b
E1b-A3a	E2b-C3a	E3b-E3a	E4b-G3a
E1a-A3b	E2a-C3b	E3a-E3b	E4a-G3b
G1b-A4a	G2b-C4a	G3b-E4a	G4b-G4a
G1a-A4b	G2a-C4b	G3a-E4b	G4a-G4b



Orthogonal PCB Layout

OPTION 90

OPTION 270

NOTES:



- SIGNAL PAIRS (SHARED VIAS)
- NEAR SIDE GROUNDS
- FAR SIDE GROUNDS

REV ORTHO PCB LAYOUT EC NO: UCP2009-2507 DRAWN: STEWART 2009/04/16 CHKD: BINGHAM 2009/04/17 APPR: BINGHAM 2009/04/17	QUALITY SYMBOLS ▽=0 ▽=0	GENERAL TOLERANCES (UNLESS SPECIFIED)		DIMENSION STYLE MM ONLY	SCALE 4:1	DESIGN UNITS METRIC	THIRD ANGLE PROJECTION		
		4 PLACES ± --- ± --- 3 PLACES ± --- ± --- 2 PLACES ± 0.13 ± --- 1 PLACE ± 0.25 ± ---	mm INCH	DRAWN BY BPISZCZOR	DATE 3/28/06	TITLE I-TRAC BACKPLANE 7 ROW GUIDE LEFT ASSEMBLY SALES DRAWING			
		ANGULAR ± 1/2°		CHECKED BY JLAURX	DATE 2007/02/06	APPROVED BY CBIXLER			
		DRAFT WHERE APPLICABLE MUST REMAIN WITHIN DIMENSIONS		MATERIAL NO. SEE CHART		DOCUMENT NO. SD-76015-002		SHEET NO. 4 OF 4	

THIS DRAWING CONTAINS INFORMATION THAT IS PROPRIETARY TO MOLEX INCORPORATED AND SHOULD NOT BE USED WITHOUT WRITTEN PERMISSION