

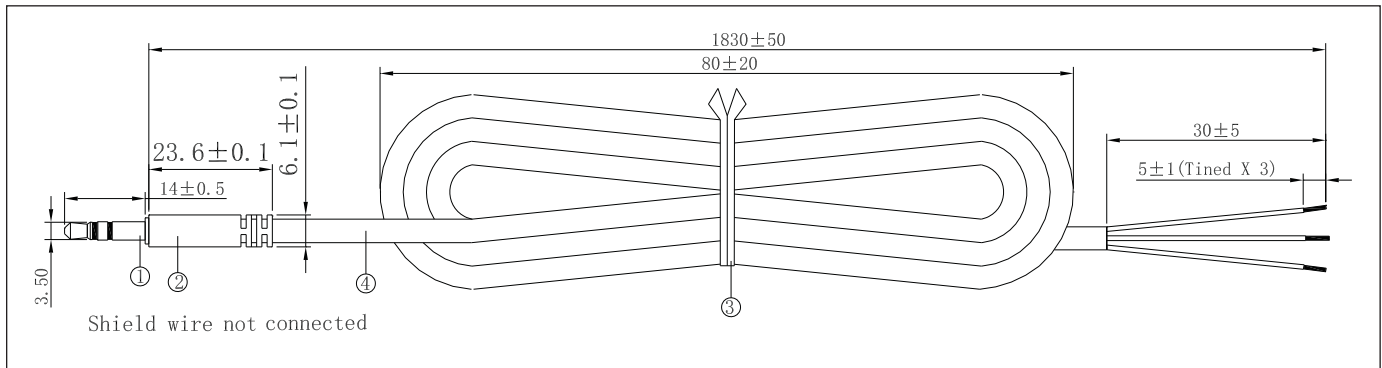
Specifications:

plug description (1)	stereo plug, 3.5 mm, 26.5 mm long, brass, nickel plated, molding style, P/N 50-00038
plug overmold (2)	inner: 30P, PVC, black; outer: 60P, PVC, black
cable description (4)	AWG #28 (0.12 x 7), 3 conductor (red, white, green), shield wire, aluminum-mylar shield, 1F, PVC jacket, black
cable outer diameter	Ø3.8 mm
cable color	black
cable length	1830 ± 50
twist tie (3)	black, 89 ± 3

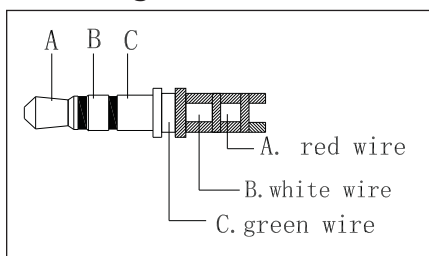
Notes:

Function test: no open, no reversed polarity, no short circuit, no INT
 RoHS compliant

Mechanical drawing:



Wire diagram:



Initial _____ Date _____

tolerance X: ±0.5 mm .X: ±0.3 mm .XX: ±0.05 mm
 applicable unless otherwise indicated in specification or on drawings

Revision notes:

Rev	Date	Description
A	May 24, 2010	initial release

Specification Approval

Spec sign-off verifies that you have reviewed the entire specification, tested a sample of the product, and confirm that it meets your requirements. This specification reflects the part as it will be ordered. Orders will not be processed until the specification pages have been initialed and the approval page has been signed. This specification is confidential and is not to be transmitted without prior approval from Tensility.

Signature _____

Title _____

Name _____

Date _____