

Turns Ratio ($\pm 3\%$)

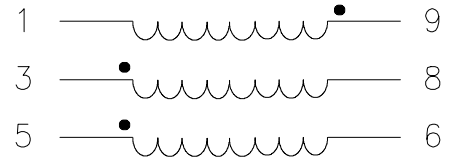
1 : 1 : 2

PARAMETER	MIN.	MAX.	UNITS
Inductance Pins 9-1 or 3-8	2.66	2.94	mH
Inductance Pins 5-6	10.64	11.76	mH
Leakage Inductance		100	μ H
Interwinding Capacitance		60	pF
DC Resistance Pins 9-1 or 3-8		1.6	ohms
DC Resistance Pins 5-6		4.0	ohms
Isolation (Hi-Pot)	1000		V_{RMS}
DC Bias		100	mA

xDSL Transformer

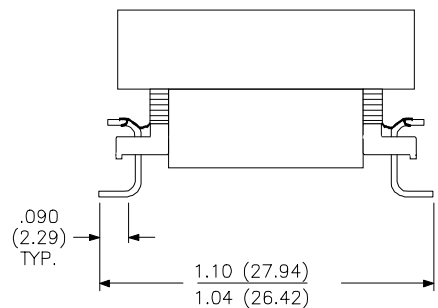
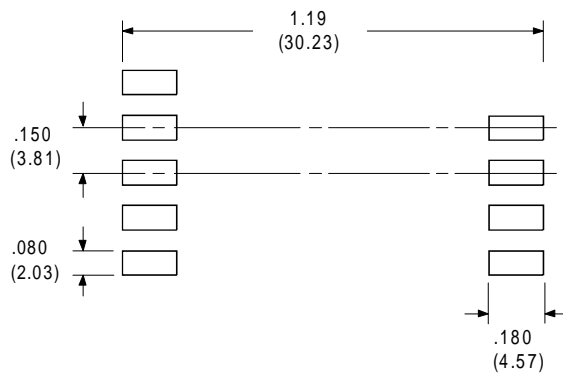
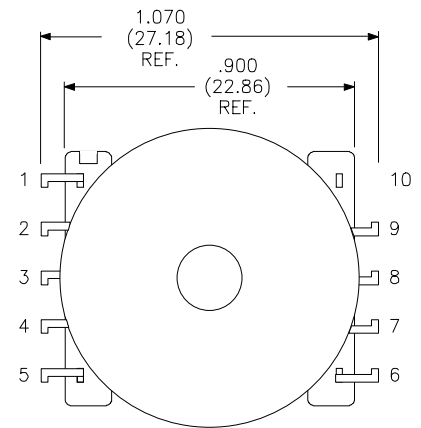
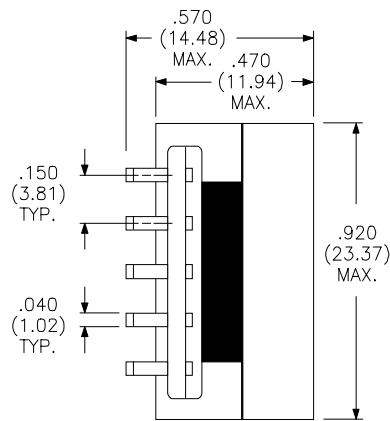
Meets Creepage Requirements

Schematic Diagram



Notch Indicates Pin #1
Pin #10 removed

Physical Dimensions inches (mm)



RHOMBUS P/N: T-1188G

CUST P/N:

NAME:

DATE: 1/29/99

SHEET: 1 of 1