

EVERLIGHT

the source of light

DATASHEET

SL-60A LED Lamp Series



Features

- No UV or IR light radiation
- Optimized heat fins with sleek design
- Operating temperature: -20°C – +40°C
- Long lifetime: 40000 hours (L70)
- E26 / E27 screw mount cap

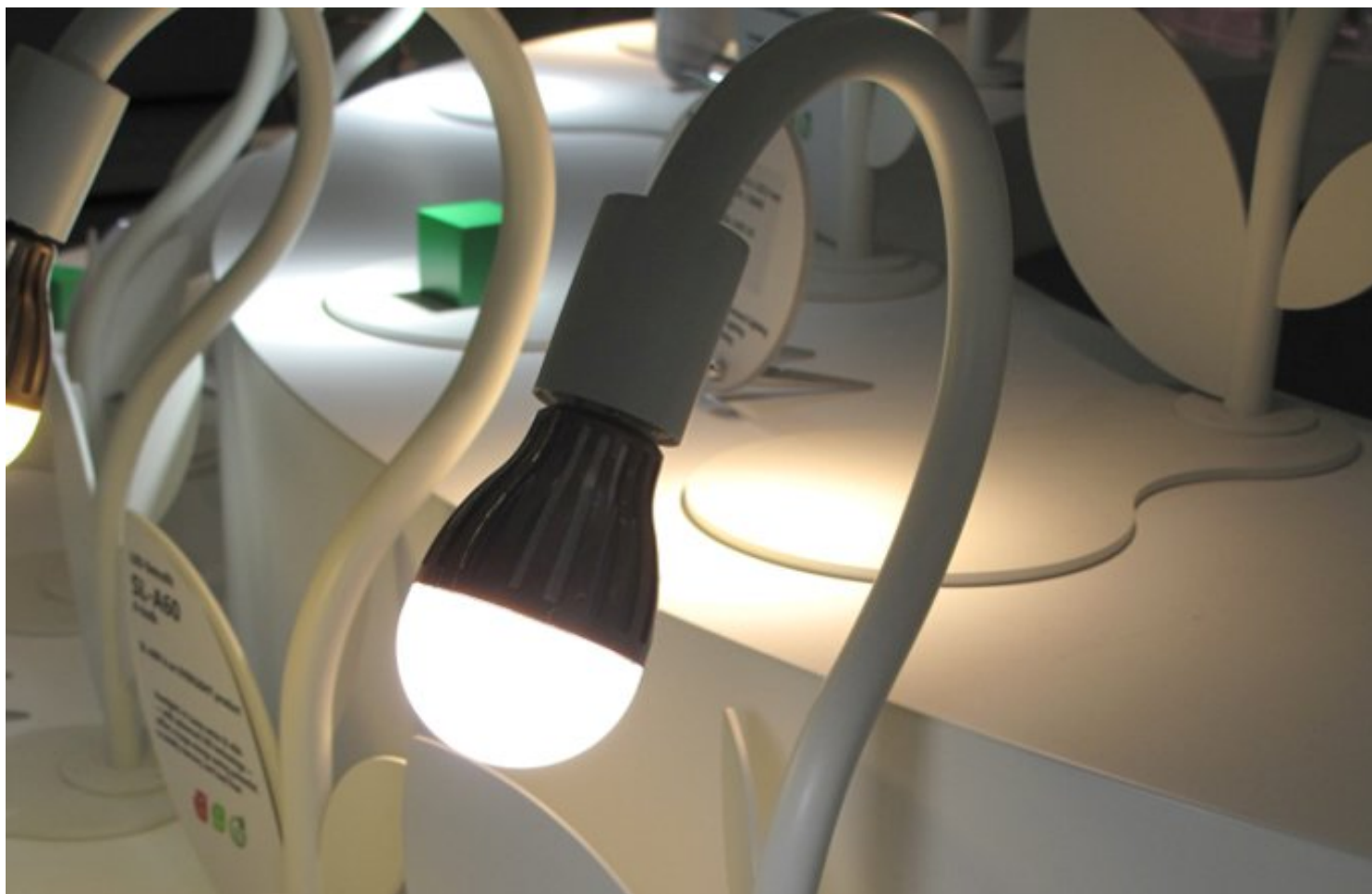
Revision : 6

1
LifecyclePhase: 正式發行

Copyright © 2010, Everlight All Rights Reserved. Release Date : Jan.06.2011 Issue No: DBM-0000131

Release Date:2011-06-10 14:48:53.0

Expired Period: Forever



Coding of Part Number:

SL-60A / C / P08 / OM / E30 / ND / 27 / UNI / EU / S /
1 2 3 4 5 6 7 8 9 10

1. Product Series

SL-60A: A60 / A19 Light Bulb Series

2. LED Type

C: Everlight HP C LED

3. Power Consumption

P08: 8W

4. Beam Angle

OM: Omni directional

5. Correlated Color Temperature

E50: ANSI C78 5000K

E30: ANSI C78 3000K

6. Dimming Control

ND: No Dimming

TD: Triac Dimming

7. Lamp Base

26: E26 Cap

27: E27 Cap

8. Input Voltage

LAC: 100 – 120VAC

(Optional for Triac dimmable products only)

(Optional for Triac dimmable products only)

UNI : Universal 100 – 240 VAC

US: Graphic Package. UL listed

9. Package and Certification

EU: Graphic Package. CE certified

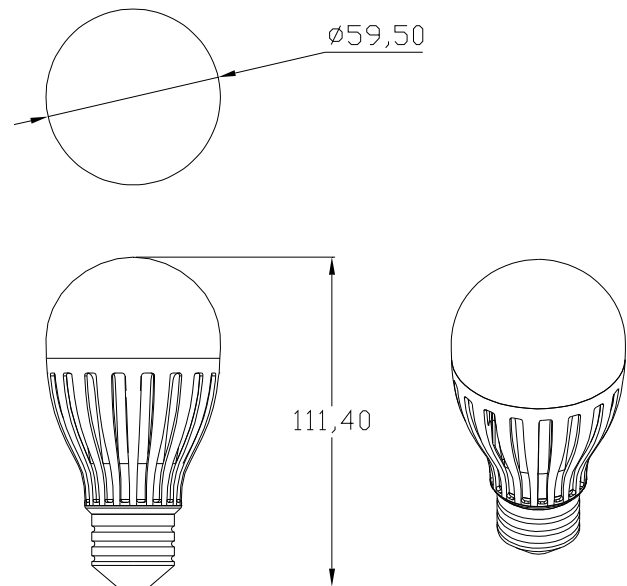
US: Graphic Package. UL listed

10. Product Color

S: Silver

G: Gold

Product Dimensions



- Notes: 1. Dimensions are in millimeters
2. Tolerances unless otherwise mentioned $\pm 5.0\text{mm}$

EVERLIGHT

Luminance and Technical Data

Product Name	SL-60A/C/P08/OM/E30/ND/27/UNI/EU/S SL-60A/C/P08/OM/E30/ND/27/UNI/EU/G SL-60A/C/P08/OM/E30/ND/26/UNI/US/S SL-60A/C/P08/OM/E30/ND/26/UNI/US/G	SL-60A/C/P08/OM/E50/ND/27/UNI/EU/S SL-60A/C/P08/OM/E50/ND/27/UNI/EU/G SL-60A/C/P08/OM/E50/ND/26/UNI/US/S SL-60A/C/P08/OM/E50/ND/26/UNI/US/G
Product Family	Retrofit	Retrofit
Main Use	Office, commercial, residential and hospitality lighting	Office, commercial, residential and hospitality lighting
Input Voltage/ Frequency	100 – 240VAC / 50 – 60Hz	100 – 240VAC / 50 – 60Hz
Power Consumption	8W	8W
Dim ability	No	No
Mechanical Dimensions	Ø59.5 x 111.4mm	Ø59.5 x 111.4mm
Maximum Weight	180g	180g
Light Color	Warm white / 3000K	Daylight white / 5000K
Luminous Flux (Typ)	400lm	470lm
Beam Angle	Omni directional	Omni directional
CRI	> 80	> 80
Storage Temperature	-30 – +80	-30 – +80

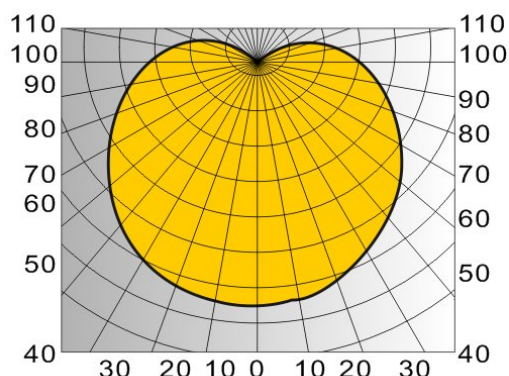
Luminous Flux measurement tolerance: ±10%

Luminance and Technical Data

Product Name	SL-60A/C/P08/OM/E30/TD/27/HAC/EU/S/ZN SL-60A/C/P08/OM/E30/TD/27/HAC/EU/G/ZN SL-60A/C/P08/OM/E30/TD/26/LAC/US/S/ZN SL-60A/C/P08/OM/E30/TD/26/LAC/US/G/ZN	SL-60A/C/P08/OM/E50/TD/27/HAC/EU/S/ZN SL-60A/C/P08/OM/E50/TD/27/HAC/EU/G/ZN SL-60A/C/P08/OM/E50/TD/26/LAC/US/S/ZN SL-60A/C/P08/OM/E50/TD/26/LAC/US/G/ZN
Product Family	Retrofit	Retrofit
Main Use	Office, commercial, residential and hospitality lighting	Office, commercial, residential and hospitality lighting
Input Voltage/ Frequency	100 – 240VAC / 50 – 60Hz	100 – 240VAC / 50 – 60Hz
Power Consumption	8W	8W
Dim ability	Yes	Yes
Mechanical Dimensions	Ø59.5 x 111.4mm	Ø59.5 x 111.4mm
Maximum Weight	180g	180g
Light Color	Warm white / 3000K	Daylight white / 5000K
Luminous Flux (Typ)	400lm	470lm
Beam Angle	Omni directional	Omni directional
CRI	> 80	> 80
Storage Temp	-30 – +80	-30 – +80

Luminous Flux measurement tolerance: ±10%

Light Intensity Distribution



Installation Instructions and Warnings

- Do not open - no user serviceable parts inside.
- Turn off power before inspection, installation, or removal.
- Do not use in totally enclosed fixtures.
- Please refer to the suggested dimmers for dimmable models.
- Not intended for use with emergency exit fixtures or emergency lights.

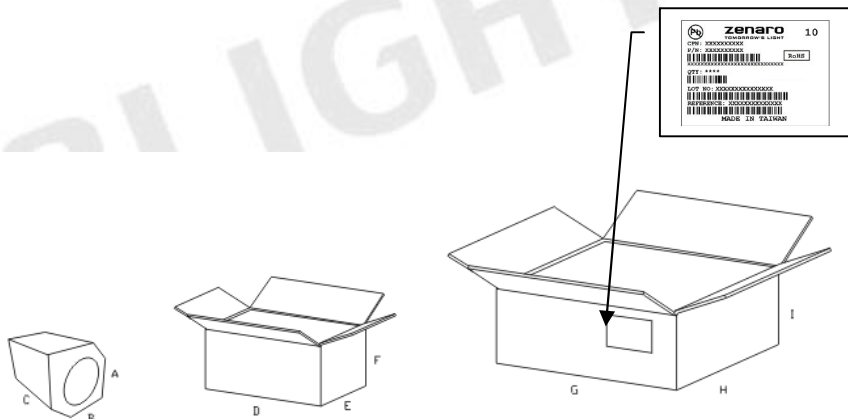
Package Information

Package Dimension

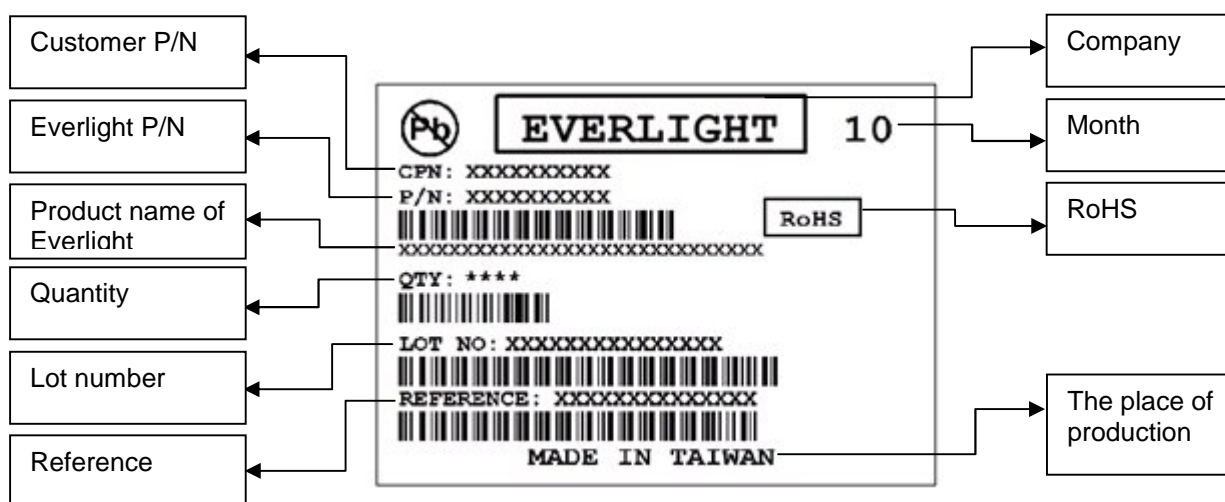
Package	Unit: mm	Unit: kg
A	77	
B	77	0.241
C	123	
Inner Box		
D	450	
E	148	2.71
F	188	
Outer Box		
G	466	
H	318	6.12
I	215	

Packing Quantity

- 1 Luminaire / 1 Package
- 10 Packages / 1 Inner Box
- 2 Inner Box / 1 Outer Box



Label Explanation



Supported Dimmer List

#	Ctl. Type	Manufacturer	Model	Volt / Freq (V/Hz)
1	Leading	Jung	266GDE	230/50
2	Leading	Merten		230/50
3	Leading	Clipsal	32E450L	230/50
4	Leading	Busch	2200-UJ	230/50
5	Leading	Everflourish	EF700DA	230/50
6	Leading	Niko		230/50
7	Leading	Busch	2250U	230/50
8	Leading	Schneider		230/50
9	Leading	松本电工 (SOBEN)		230/50
10	Leading	OPUS	852.39	230/50
11	Leading	KOSLO		230/50
12	Trailing	Busch	6513U	230/50
13	Trailing	SIEMENS	5TC8-284	230/50
14	Trailing	Vadsbo	TD350	230/50
15	Trailing	Clipsal	32E450T	230/50
16	Leading	Lutron	S-600	120/60
17	Leading	Lutron	Q-600P	120/60
18	Leading	Lutron	AY-600P	120/60
19	Leading	Lutron	DV-600P	120/60
20	Leading	Lutron	LG-600PH	120/60
21	Leading	Lutron	TT-300NLH	120/60
22	Leading	Lutron	DNG-600PH	120/60
23	Leading	Lutron	S-600PEH	120/60
24	Leading	Lutron	GL-600P	120/60
25	Leading	Leviton	L00	120/60
26	Leading	Leviton	RTD-01-10	120/60