

PLEASE CHECK WWW.MOLEX.COM FOR LATEST PART INFORMATION

Part Number: [0014563231](#)
Status: **Active**
Overview: [cgrid_sl_products](#)
Description: 2.54mm (.100") Pitch SL™ Insulation Displacement Connector Assembly, Female, Single Row, Version G, Positive Lock, Wire Size 26, 0.76µm (30µ") Gold (Au), 23 Circuits

Documents:

[3D Model](#) [Product Specification PS-70400 \(PDF\)](#)
[Drawing \(PDF\)](#) [RoHS Certificate of Compliance \(PDF\)](#)

Agency Certification

CSA LR19980
 UL E29179

General

Product Family Ribbon Cable / Wire Trap Connectors
 Series [70400](#)
 Comments Terminals Preloaded
 Component Type Housing
 Glow-Wire Compliant No
 Overview [cgrid_sl_products](#)
 Product Name SL™

Physical

Circuits (Loaded) 23
 Color - Resin Black
 Durability (mating cycles max) 50
 Entry Angle Vertical
 Flammability 94V-0
 Lock to Mating Part Yes
 Material - Metal Phosphor Bronze
 Material - Plating Mating Gold
 Material - Plating Termination Tin
 Material - Resin Polyester Alloy
 Number of Rows 1
 PCB Retention None
 Packaging Type Tube
 Pitch - Mating Interface (in) 0.100 In
 Pitch - Mating Interface (mm) 2.54 mm
 Plating min: Mating (µin) 30
 Plating min: Mating (µm) 0.75
 Plating min: Termination (µin) 75
 Plating min: Termination (µm) 1.875
 Polarized to Mating Part Yes
 Stackable Yes
 Surface Mount Compatible (SMC) N/A
 Temperature Range - Operating -40°C to +105°C
 Termination Interface: Style IDT or Pierce
 Wire Insulation Diameter 1.35mm (.053") max.
 Wire Size AWG 26
 Wire/Cable Type Discrete Wire, Ribbon Cable

Electrical

Current - Maximum per Contact 3A
 Voltage - Maximum 250V



EU RoHS

**ELV and RoHS
 Compliant**
**REACH SVHC
 Not Reviewed**
**Halogen-Free
 Status
 Not Reviewed**

China RoHS



**Need more information on product
 environmental compliance?**

Email productcompliance@molex.com
 For a multiple part number RoHS Certificate of Compliance, [click here](#)

Please visit the [Contact Us](#) section for any non-product compliance questions.

Search Parts in this Series

[70400Series](#)

Mates With

[70018](#) , [70107A/B](#), [70543](#), [70545](#) , [70553](#) , [70555](#)

Use With

[7307](#) Tinned 28AWG, [7767](#) Topcoat 28AWG, [24241](#) Tinned 26AWG, [8996](#) Topcoat 26AWG, [24226](#) Tinned 24AWG, [8997](#) Topcoat 24AWG, [24369](#) High Flex 26AWG, [24389](#) High Flex 24AWG

Application Tooling | FAQ

Tooling specifications and manuals are found by selecting the products below. Crimp Height Specifications are then contained in the Application Tooling Specification document.

Global

| Description | Product # |
|----------------------------------|----------------------------|
| Hawk Semi- Automatic Discrete | 0011201337 |

Material Info

Reference - Drawing Numbers

Product Specification
Sales Drawing

PS-70400
SDA-70400-1366-1389

| | |
|---|-------------------|
| Wire Terminator for SL - Rebuilt US* | |
| Hawk™ Ribbon | <u>0623003000</u> |
| Cable Terminator for SL without Break-off | |
| Hawk™ Semi- Automatic Discrete | <u>0623004900</u> |
| Wire Terminator for SL - Rebuilt CE Approved* | |
| Hawk™ Flat Flex | <u>0623005200</u> |
| Cable Terminator for SL with Break-off | |
| Hawk™ Ribbon | <u>0623005300</u> |
| Cable Terminator with for SL Break-off | |
| IDT Discrete | <u>0621000700</u> |
| Handtool Module for SL™ | |
| Hawk™ Semi- Automatic Discrete | <u>0623003100</u> |
| Wire Terminator for SL | |

This document was generated on 05/21/2010

PLEASE CHECK WWW.MOLEX.COM FOR LATEST PART INFORMATION

OPTION G

NOTES:

- TO BE USED WITH (26) AWG. STRANDED WIRE WITH (1.35)/.053 DIA. MAX. INSULATION.
- SEE CHART FOR CIRCUIT SIZES.
- STANDARD PACKAGING PER PK-70873-0001. OPTIONAL PACKAGING MAY BE AVAILABLE, REQUEST DWG. PK-70400
- PARTS STACKABLE END TO END ON (2.54)/.100 CENTERS.
- REFER TO PRODUCT SPECIFICATION: PS-70400.
- SEE DWG. SDA-70400-**** (SHT. 5) FOR OPTIONAL HOUSING DETAILS.
- 4 CIRCUIT SHOWN. 4 - 25 CKT'S. HAVE (2) RIBS.
- TO MATE WITH MOLEX PART NO'S.: A-70373-****, A-70375-****, A-70389-****, A-70391-****, 70107-****, 70018-****, A-70543-****, A-70553-****, A-70541-****, A-70551-****, A-70545-****, A-70555-****.
- 2 CIRCUIT ASSEMBLIES SUPPLIED AS GROUPED PAIRS.



SECTION C-C

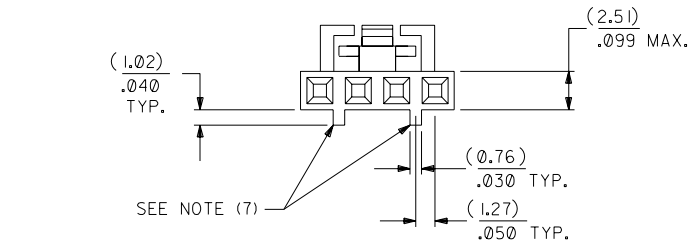


HOUSING PART NO. 70066-****
MATERIAL: G.F. POLYESTER, 94V-0

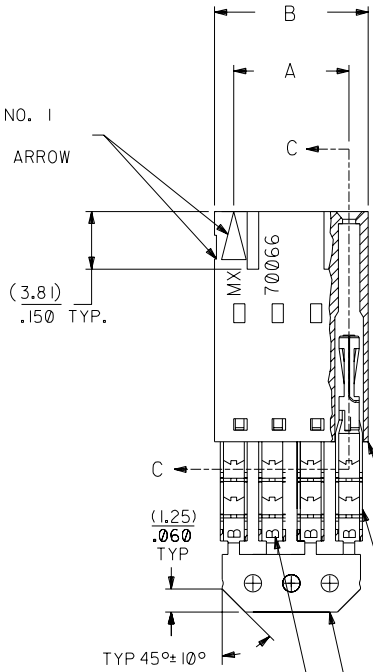
TERMINAL PART NO. 70028-****
MATERIAL: PHOSPHOR BRONZE
PLATING PER ES-88-***

30 GOLD - .000030 MIN. GOLD IN SELECT AREA WITH .000075 MIN. TIN IN SELECT AREA OVER .000050 MIN. NICKEL OVER-ALL.

*THE PRIMARY SHIPPING CARTON WILL BE LABELED "COMPLIANT TO ROHS DIRECTIVE 2002/95/EC AND ELV ANNEX II OF DIRECTIVE 2000/53/EC". CARTONS WITHOUT THIS LABEL MAY CONTAIN PRODUCT WITH LEAD.



CIRCUIT NO. 1
SLOT OR ARROW



| I.D. SLOT CODE TO WIRE GAUGE CHART | |
|------------------------------------|------------|
| I.D. SLOT CODE | WIRE GAUGE |
| B | 26 AWG. |

| PLATING CODE (STRIPE ON CARRIER STRIP) | |
|--|-------|
| PLATING | COLOR |
| 30 GOLD | RED |

| CKT. SIZE | A | B | EDP. NO. | ENG. NO. |
|-----------|--------------------|--------------------|------------|--------------|
| 2 | (2.54) .100 | (5.05) .199 | 14-56-3021 | A-70400-1366 |
| 3 | (5.08) .200 | (7.59) .299 | 14-56-3031 | A-70400-1367 |
| 4 | (7.62) .300 | (10.13) .399 | 14-56-3041 | A-70400-1368 |
| 5 | (10.16) .400 | (12.67) .499 | 14-56-3051 | A-70400-1369 |
| 6 | (12.70) .500 | (15.21) .599 | 14-56-3061 | A-70400-1370 |
| 7 | (15.24) .600 | (17.75) .699 | 14-56-3071 | A-70400-1371 |
| 8 | (17.78) .700 | (20.29) .799 | 14-56-3081 | A-70400-1372 |
| 9 | (20.32) .800 | (22.83) .899 | 14-56-3091 | A-70400-1373 |
| 10 | (22.86) .900 | (25.37) .999 | 14-56-3101 | A-70400-1374 |
| 11 | (25.54) 1.000 | (27.91) 1.099 | 14-56-3111 | A-70400-1375 |
| 12 | (27.94) 1.100 | (30.45) 1.199 | 14-56-3121 | A-70400-1376 |
| 13 | (30.48) 1.200 | (32.99) 1.299 | 14-56-3131 | A-70400-1377 |
| 14 | (33.02) 1.300 | (35.53) 1.399 | 14-56-3141 | A-70400-1378 |
| 15 | (35.56) 1.400 | (38.07) 1.499 | 14-56-3151 | A-70400-1379 |
| 16 | (38.01) 1.500 | (40.61) 1.599 | 14-56-3161 | A-70400-1380 |
| 17 | (40.64) 1.600 | (43.15) 1.699 | 14-56-3171 | A-70400-1381 |
| 18 | (43.18) 1.700 | (45.69) 1.799 | 14-56-3181 | A-70400-1382 |
| 19 | (45.72) 1.800 | (48.23) 1.899 | 14-56-3191 | A-70400-1383 |
| 20 | (48.26) 1.900 | (50.77) 1.999 | 14-56-3201 | A-70400-1384 |
| 21 | (50.80) 2.000 | (53.31) 2.099 | 14-56-3211 | A-70400-1385 |
| 22 | (53.34) 2.100 | (55.85) 2.199 | 14-56-3221 | A-70400-1386 |
| 23 | (55.88) 2.200 | (58.39) 2.299 | 14-56-3231 | A-70400-1387 |
| 24 | (58.42) 2.300 | (60.93) 2.399 | 14-56-3241 | A-70400-1388 |
| 25 | (60.96) 2.400 | (63.47) 2.499 | 14-56-3251 | A-70400-1389 |

| LTR. | REVISIONS | LTR. | REVISIONS |
|------|--|------|---|
| | G1 | | |
| | G | | |
| H | LEAD FREE UCP2004-1769 RWHITE 04/03/17 | F | REVISED PER ECN# U90726 7-10-89 MGB |
| | | | ADD CARRIER CHAMF ECN #UDT1998-0280 05/20/98 LMCGRATH |

| DIMENSIONS SHOWN (METRIC) INCH | |
|---|--------|
| UNLESS OTHERWISE SPECIFIED TOLERANCES: ANGULAR ± 1/2° | |
| INCH | METRIC |
| 3 PLACE ± .010 | --- |
| 2 PLACE ± .014 | ± 0.25 |
| 1 PLACE --- | ± 0.35 |

| REVISE ONLY ON CAD SYSTEM | |
|---|--|
| TITLE | ASSEMBLY, SL CONNECTOR (SINGLE ROW- (2.54)/.100 GRID) |
| MOLEX INCORPORATED LITSE,ILL. 60532 U.S.A. | SHEET NO. DATE 10/11/84 |
| PART NO. SDA-70400-1366-1389 | DRWG. NO. |
| SEE CHART | |
| FILE NAME S70400GXB | THIS DRAWING CONTAINS INFORMATION THAT IS PROPRIETARY TO MOLEX INC. AND SHOULD NOT BE USED WITHOUT WRITTEN PERMISSION. |
| DRWG. BY WAZ | CHK'D BY WAZ |
| APP'D BY | SCALE 4:1 |

MFG. SH. REV.

70400