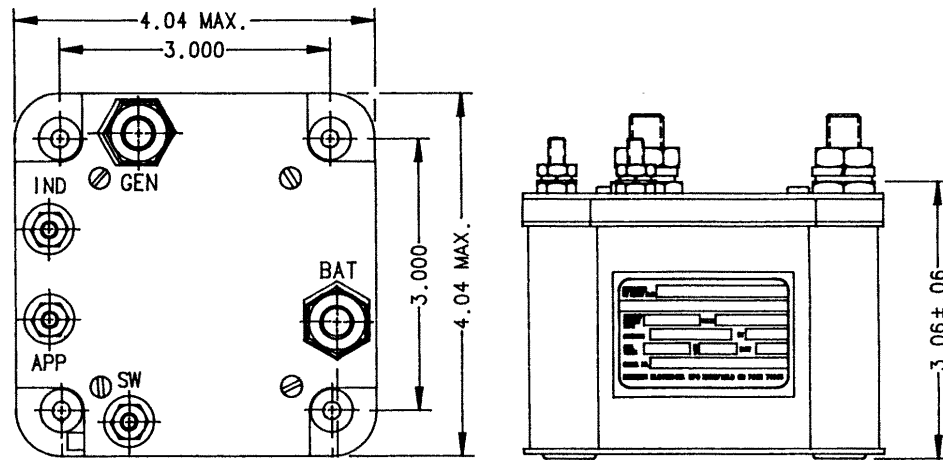
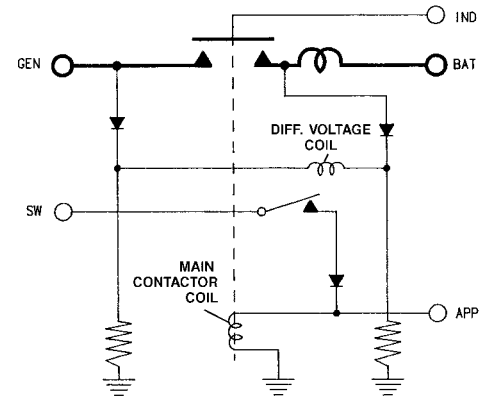


# A-700ZF SPST N.O., 300 Amps, 28 VDC, Cutout Reverse Current



Dimensions for this product are expressed in inches. Multiply values by 25.4 for millimeters.

### CONTACTOR CONFIGURATION



### Notes:

PRODUCT SPECIFICATIONS	
Construction	Gasket Sealed, Vented
Main Contacts:	
Configuration	SPST N.O.
Voltage (Nominal)	28 VDC
Current (Resistive)	300 Amps
Main Contactor Coil:	
Duty Cycle	Continuous
Voltage (Nominal)	28 VDC
Pick-Up (APP or SW)	18 VDC Maximum
Drop-Out (APP or SW)	.5 - 7 VDC
Coil Current @ +25°C	.31 Amp
Differential Voltage Coil:	
Positive Drop-Out (+BAT, - CASE)	22 VDC Maximum
Differential Voltage Pick-Up Gen to BAT	.4 ±25 VDC
Unexcited Bus Pick-Up (+Gen, -CASE)	18 - 24 VDC
Reverse Current Drop-Out (+BAT to GEN)	9 - 25 Amps
Weight Maximum	3.0 Lbs.

TYPICAL APPLICATION: Reverse current protection for 1000 ampere DC starter/generators and/or transformer rectifier units.

Contact Hartman for a detailed Theory of Operation.

For factory-direct application assistance, contact the HARTMAN product team at (419) 521-9500, Fax (419) 526-2749.

© 2004 by Tyco Electronics Corporation. All Rights Reserved. HARTMAN and TYCO are trademarks.