

NOTES :

- MATERIAL : HOUSING - HIGH TEMP. NYLON, GLASS FILLED, UL 94V-0
COLOUR : BLACK.
LATCH - HIGH TEMP NYLON, GLASS FILLED, UL 94V-0
COLOUR : NATURAL (OFF WHITE) OR BLACK.
TERMINAL : COPPER ALLOY.
- PLATING - SEE TABLE ON SHEET 4.
- CARD SLOT ACCEPTS 1.27±0.10MM MODULE THICKNESS
(MEASURED FROM P.C. PADS).
- REFER TO PRODUCT SPECIFICATION, PS-78061-001 FOR PERFORMANCE SPECIFICATIONS.
- PRODUCT SHALL BE PACKED IN TRAY. PLS REFER TO SHEET 5.
- MOLEX LOGO, DATE & PART NO. INDICATED ON HOUSING.
- MODULE SEATING PLANE FROM TOP OF PCB.
- KEEP OUT ZONE RESERVED FOR LATCH (PER JEDEC SO-003,REV.A).
- MODULE CARD USED IN PRODUCT TESTING ARE CHAMFERED.
- KEEP OUT AREA IS THE AREA WHERE THE CONNECTOR
(INCLUDING LATCH) IS MOUNTED ON THE PCB
(PER JEDEC SO-003,REV.A).

TRAY DWG ADDED	2006/12/26
EC NO: S2007-0602	2006/12/26
DRWN:CMTED	2006/12/26
CHKD:SHLENI	2006/12/26
APPR:GGLLEE	2006/12/26
REV	DESCRIPTION
A4	

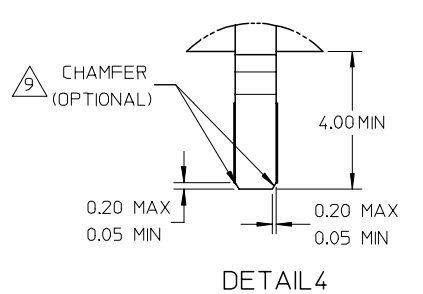
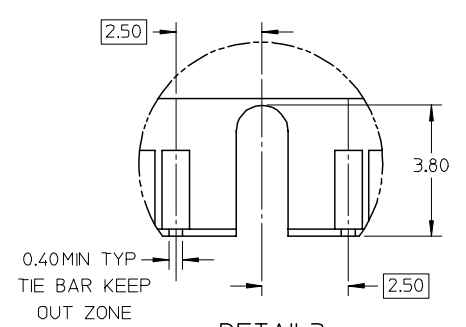
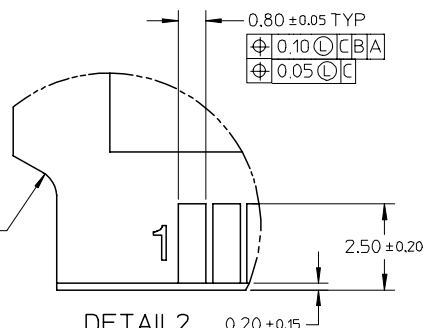
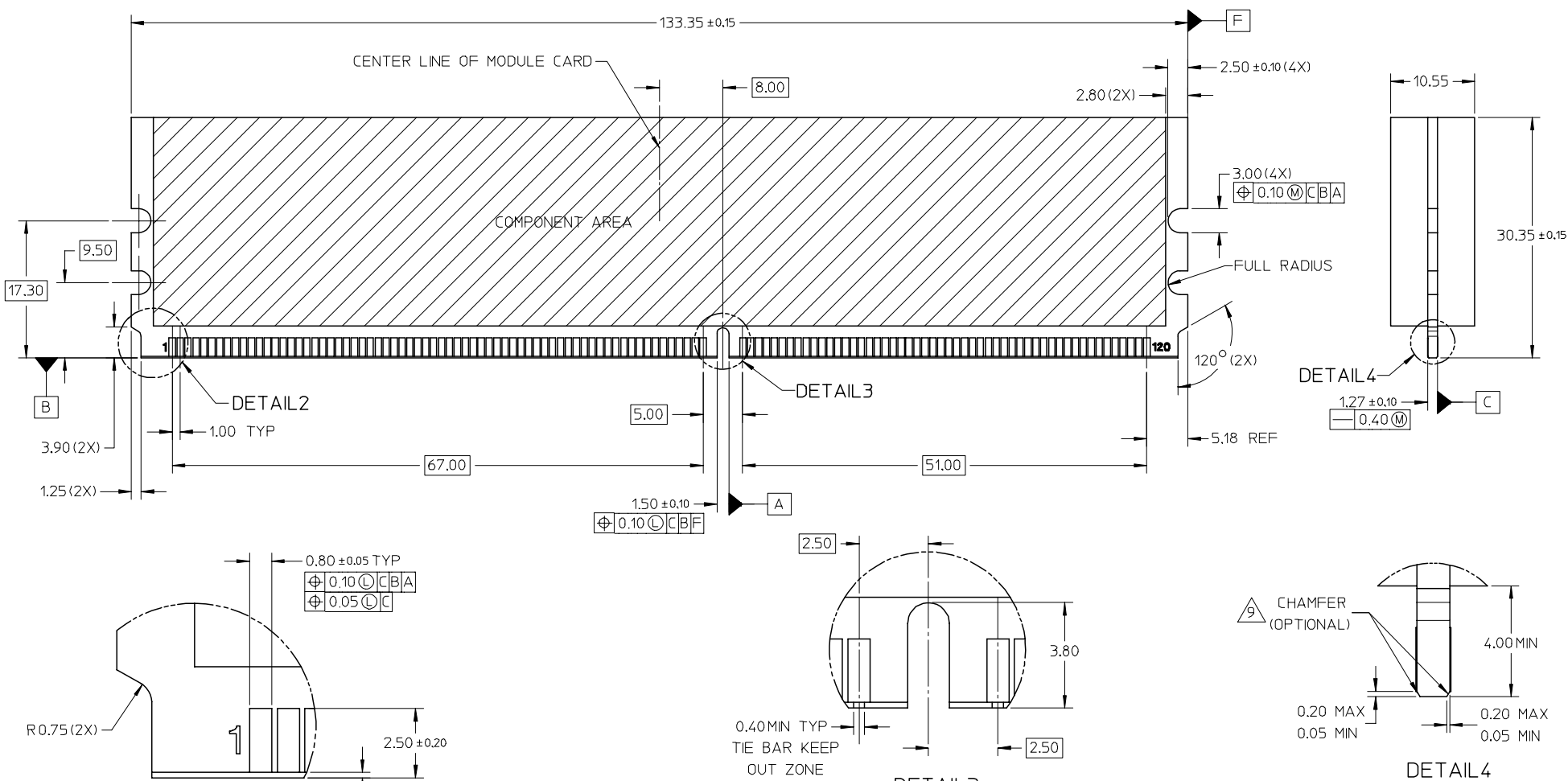
QUALITY SYMBOLS	▽=0
	∇=0

GENERAL TOLERANCES (UNLESS SPECIFIED)	mm	INCH
4 PLACES	± ---	± ---
3 PLACES	± ---	± ---
2 PLACES	± 0.2	± ---
1 PLACE	± ---	± ---
ANGULAR ± 1 °		
DRAFT WHERE APPLICABLE MUST REMAIN WITHIN DIMENSIONS		

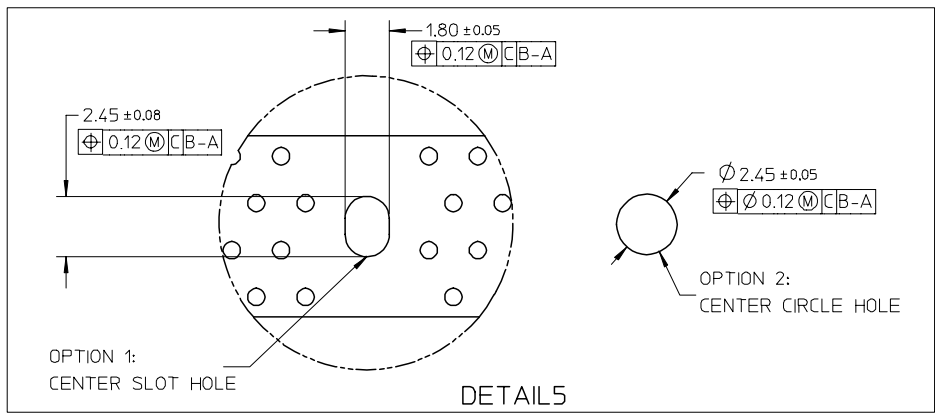
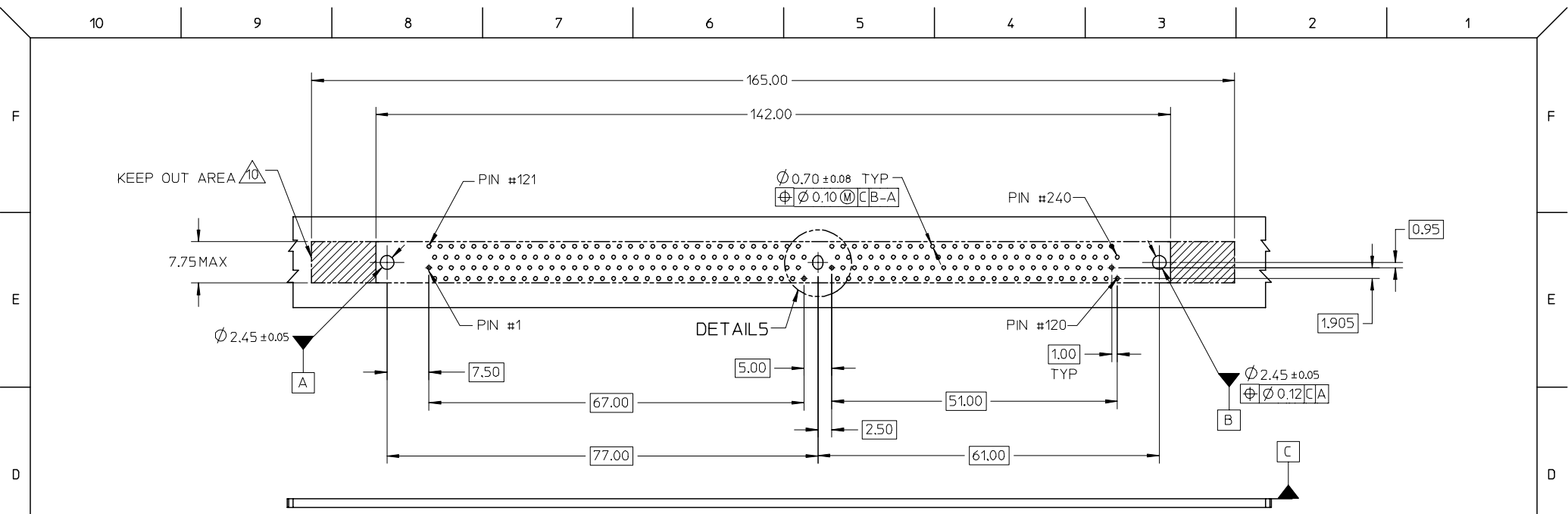
DIMENSION STYLE		SCALE	DESIGN UNITS	THIRD ANGLE PROJECTION
MM ONLY		NTS	METRIC	
DRAWN BY	DATE	TITLE		
JTAN	2005/10/20	FB DIMM, 1.00MM PITCH		
CHECKED BY	DATE	240 CKTS, VERTICAL T/H		
SRRAMESH	2005/12/05			
APPROVED BY	DATE			
GGLLEE	2005/12/06			
MATERIAL NO.	DOCUMENT NO.	SHEET NO.		
		1 OF 5		

MOLEX	MOLEX INCORPORATED
SD-78061-001	
THIS DRAWING CONTAINS INFORMATION THAT IS PROPRIETARY TO MOLEX INCORPORATED AND SHOULD NOT BE USED WITHOUT WRITTEN PERMISSION	

MODULE CARD
 FB DIMM, DUAL IN-LINE MEMORY MODULE FAMILY 1.00MM CONTACT CENTERS
 (PER JEDEC MO-256 REV.C, DATE : 12/05)



TRAY DWG ADDED EC NO: S2007-0602 DRWN:CMTEO 2006/12/26 CHKD:SHLENI 2006/12/26 APPR:GGLLEE 2006/12/28	QUALITY SYMBOLS ▽=0 ◻=0	GENERAL TOLERANCES (UNLESS SPECIFIED)		DIMENSION STYLE MM ONLY		SCALE NTS	DESIGN UNITS METRIC	THIRD ANGLE PROJECTION	
		4 PLACES ± --- ± --- 3 PLACES ± --- ± --- 2 PLACES ± 0.2 ± --- 1 PLACE ± --- ± ---	mm INCH	DRAWN BY JTAN	DATE 2005/10/20	TITLE FB DIMM, 1.00MM PITCH 240 CKTS, VERTICAL T/H			
		ANGULAR ± 1 °		CHECKED BY SRRAMESH	DATE 2005/12/05	MOLEX INCORPORATED			
		DRAFT WHERE APPLICABLE MUST REMAIN WITHIN DIMENSIONS		APPROVED BY GGLEE	DATE 2005/12/06	MATERIAL NO. SEE TABLE	DOCUMENT NO. SD-78061-001	SHEET NO. 2 OF 5	



TRAY DWG ADDED	2006/12/26
EC NO: S2007-0602	2006/12/26
DRWN:CMTEO	2006/12/26
CHKD:SHLENI	2006/12/26
APPR:GGLLEE	2006/12/28

QUALITY SYMBOLS	DESCRIPTION
▽=0	
∇=0	
REV	

GENERAL TOLERANCES (UNLESS SPECIFIED)	
PLACES	TOLERANCE
4 PLACES	± 0.1
3 PLACES	± 0.15
2 PLACES	± 0.2
1 PLACE	± 0.3
ANGULAR ± 1°	
DRAFT WHERE APPLICABLE MUST REMAIN WITHIN DIMENSIONS	

DIMENSION STYLE	
MM ONLY	
DRAWN BY	DATE
JTAN	2005/10/20
CHECKED BY	DATE
SRRAMESH	2005/12/05
APPROVED BY	DATE
GGLLEE	2005/12/06
MATERIAL NO.	
SEE TABLE	

SCALE	DESIGN UNITS	THIRD ANGLE PROJECTION
NTS	METRIC	
TITLE		
FB DIMM, 1.00MM PITCH 240 CKTS, VERTICAL T/H		
MOLEX INCORPORATED		
DOCUMENT NO.	SHEET NO.	
SD-78061-001	3 OF 5	

10 9 8 7 6 5 4 3 2 1

F

F

E

E

D

D

C

C

B

B

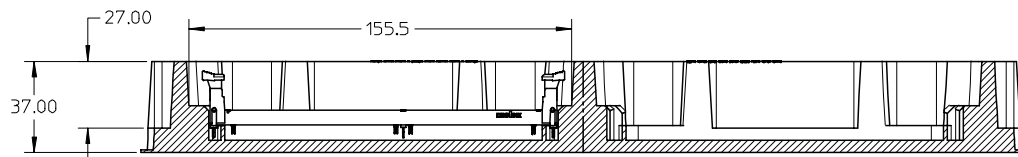
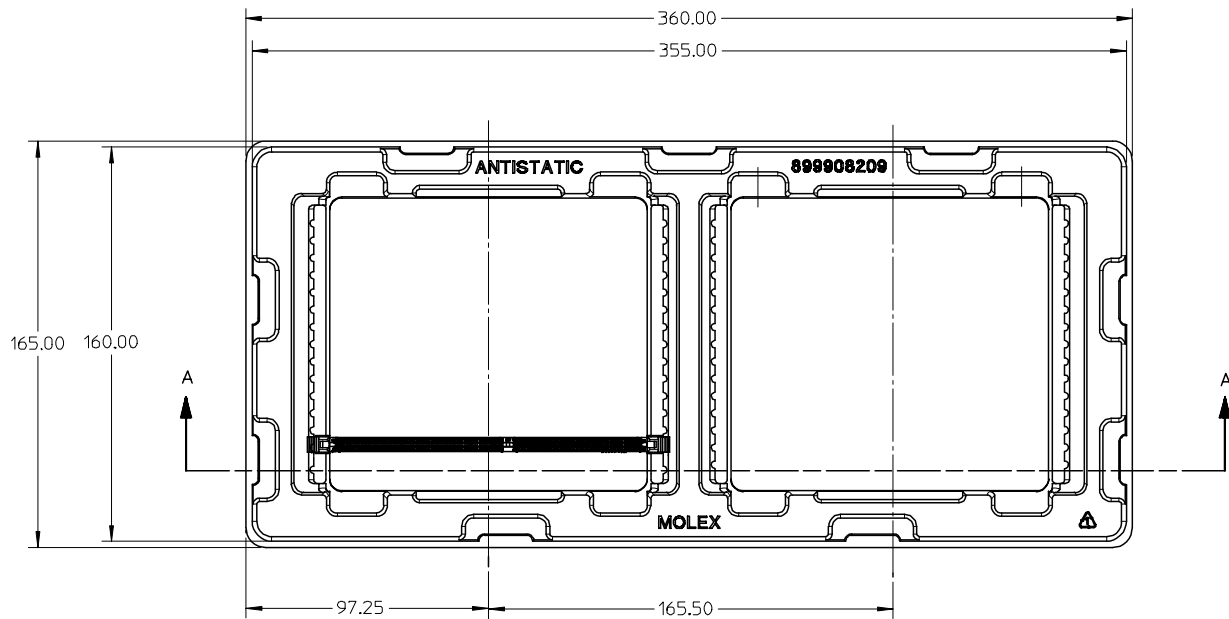
A

A

PART NO.	KEY POS.	DIM 'P'	RECOMMENDED PCB THICKNESS	PLATING OPTION	LATCH COLOUR
78061-0001	CENTER (1.8V)	2.67	1.57	0.38µM/15µIN MIN. GOLD ON CONTACT 2.54µM/100µIN MIN. PURE TIN (MATTE) ON SOLDERTAILS 1.27µM/50µIN MIN. NICKEL UNDERPLATE	NATURAL (OFF WHITE)
78061-0002		3.18	2.36		
78061-0011		2.67	1.57	0.76µM/30µIN MIN. GOLD ON CONTACT 2.54µM/100µIN MIN. PURE TIN (MATTE) ON SOLDERTAILS 1.27µM/50µIN MIN. NICKEL UNDERPLATE	
78061-0012		3.18	2.36		
78061-0051		2.67	1.57	0.38µM/15µIN MIN. GOLD ON CONTACT 2.54µM/100µIN MIN. PURE TIN (MATTE) ON SOLDERTAILS 1.27µM/50µIN MIN. NICKEL UNDERPLATE	BLACK
78061-0052		3.18	2.36		
78061-0061		2.67	1.57	0.76µM/30µIN MIN. GOLD ON CONTACT 2.54µM/100µIN MIN. PURE TIN (MATTE) ON SOLDERTAILS 1.27µM/50µIN MIN. NICKEL UNDERPLATE	
78061-0062		3.18	2.36		

TRAY DWG ADDED EC NO: S2007-0602 DRWN:CMTEO CHKD:SHLENI APPR:GGLLEE	2006/12/26 2006/12/26 2006/12/28	DESCRIPTION REV	QUALITY SYMBOLS	GENERAL TOLERANCES (UNLESS SPECIFIED)	DIMENSION STYLE	SCALE	DESIGN UNITS	THIRD ANGLE PROJECTION
			$\nabla = 0$ $\triangle = 0$	mm INCH 4 PLACES ± --- ± --- 3 PLACES ± --- ± --- 2 PLACES ± 0.2 ± --- 1 PLACE ± --- ± --- ANGULAR ± 1 °	MM ONLY	NTS	METRIC	FB DIMM, 1.00MM PITCH 240 CKTS, VERTICAL T/H
			DRAWN BY: JTAN CHECKED BY: SRRAMESH APPROVED BY: GGLLEE	DATE: 2005/10/20 DATE: 2005/12/05 DATE: 2005/12/06	TITLE:	MOLEX INCORPORATED		
			MATERIAL NO.	SEE TABLE	DOCUMENT NO. SD-78061-001	SHEET NO. 4 OF 5		

9 8 7 6 5 4 3 2 1



NOTES:
1. CAVITY QTY: 2 X 15 = 30 PCS

TRAY DWG ADDED	2006/12/26
EC NO: S2007-0602	2006/12/26
DRWN:CMTEO	2006/12/26
CHKD:SHLENI	2006/12/26
APPR:GGLLEE	2006/12/26
REV	DESCRIPTION
A4	

QUALITY SYMBOLS	$\nabla=0$
	$\nabla C=0$

GENERAL TOLERANCES (UNLESS SPECIFIED)	
	mm
4 PLACES	± 0.2
3 PLACES	± 0.3
2 PLACES	± 0.4
1 PLACE	± 0.5
ANGULAR $\pm 1^\circ$	
DRAFT WHERE APPLICABLE MUST REMAIN WITHIN DIMENSIONS	

DIMENSION STYLE	
MM ONLY	
DRAWN BY	DATE
JTAN	2005/10/20
CHECKED BY	DATE
SRRAMESH	2005/12/05
APPROVED BY	DATE
GGLLEE	2005/12/06
MATERIAL NO.	
SEE TABLE	
SIZE	A3

SCALE	NTS	DESIGN UNITS	METRIC	THIRD ANGLE PROJECTION
TITLE		FB DIMM, 1.00MM PITCH 240 CKTS, VERTICAL T/H		
MOLEX INCORPORATED		MOLEX INCORPORATED		
DOCUMENT NO.		SD-78061-001		SHEET NO. 5 OF 5
THIS DRAWING CONTAINS INFORMATION THAT IS PROPRIETARY TO MOLEX INCORPORATED AND SHOULD NOT BE USED WITHOUT WRITTEN PERMISSION				