

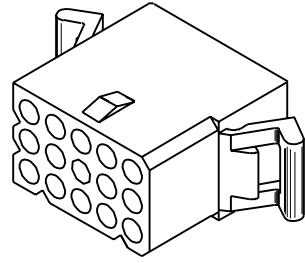
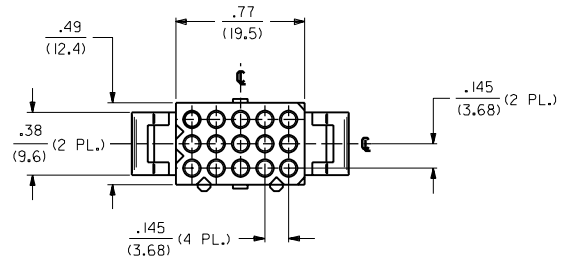
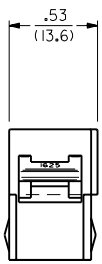
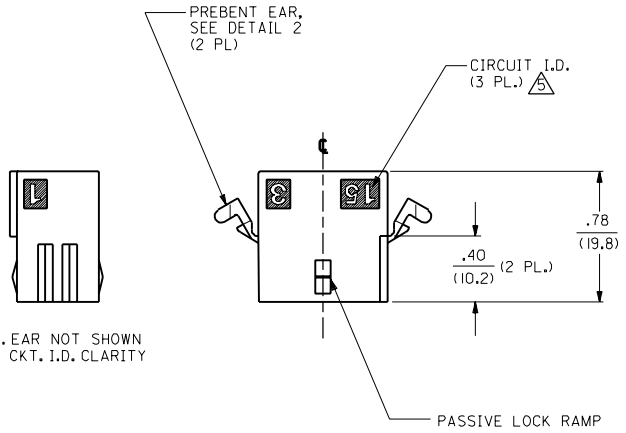
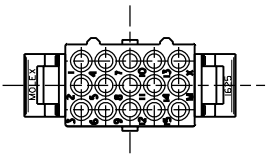
PLUG HOUSING

CHART AND NOTES ON SHEET 3

| | |
|----|---|
| 02 | REVISION ECN #U70777 97-4-22 JI WANG |
| 01 | FINAL REL. - ISR2 ECN #U5 1285 6-22-95 RW |
| 0 | REVISE PER ECR U4 0050 OC 1/12/94 RW |
| P | REVISE PER ECN #U3 0508 4/1/93 RW |
| 0 | REVISE PER ECR U2 0850 OC 6/5/92 RW |
| N | REVISE PER ECR U1 2251 OC 11/20/91 RW |
| M | REVISE PER ECR U1 2108 OC 10/28/91 RW |
| L | REMOVE PT.NO. FROM -ISR2, ECR U1 1908 OC 9/20/91 RW |
| K1 | ADDED & FINAL REL PER ERO #28346 GEP 5-4-89 RW |
| K | ADDED OPTIONS ECR # U90277 KBW 03-22-89 RW |
| J | ADDED OPTIONS ECR # UB2108 KBW 10-10-88 RW |
| H | REV. & REDRAWN ECR U8 1714 GEP 7-15-88 RW |
| 3 | 02 |
| 2 | 02 |
| 1 | 02 |

| | | | | |
|------|-----|------|------|-----------|
| MFG. | SH. | REV. | LTR. | REVISIONS |
| | | | | = 0 |

| | | | |
|--|---------------|---|----------------------|
| DIMENSIONS SHOWN METRIC (INCH) | | UNLESS OTHERWISE SPECIFIED TOLERANCES: ANGULAR ± .05° | |
| INCH | METRIC | | |
| 3 PLACE ± .010 | --- | | |
| 2 PLACE ± .014 | ± 0.25 | | |
| 1 PLACE --- | ± 0.35 | | |
| DRAFT WHERE APPLICABLE MUST REMAIN WITHIN DIMENSIONS | | | |
| DRWG. BY: CEP | CHK'D. BY: RW | FILE NAME: S162515X1 | DATE: 7/15/88 |
| APP'D. BY: RAS | SCALE: 2: | DRWG. NO.: SEE CHART | REV. NO.: SD-1625-15 |
| PART NO. MOLEX INCORPORATED LISLE, ILL. 60532 U.S.A. | | SHEET NO. 1 of 3 | DATE 7/15/88 |
| TITLE: .062/(1.57) HOUSING; PLUG AND RECEPTACLE; 15 CKT. ± .145/(3.68) CTRS | | | |
| THIS DRAWING CONTAINS INFORMATION THAT IS PROPRIETARY TO MOLEX INC. AND SHOULD NOT BE USED WITHOUT WRITTEN PERMISSION. | | | |



RECEPTACLE HOUSING

CHART AND NOTES ON SHEET 3

| | | | |
|------|------------|------|------------|
| | | P | SEE SHT. 1 |
| Q2 | SEE SHT. 1 | O | SEE SHT. 1 |
| Q | SEE SHT. 1 | H | SEE SHT. 1 |
| LTR. | REVISIONS | LTR. | REVISIONS |

| | |
|---|--------------|
| DIMENSIONS SHOWN METRIC () INCH | |
| UNLESS OTHERWISE SPECIFIED TOLERANCES: ANGULAR ± .001 | |
| 3 PLACE | ± .010 |
| 2 PLACE | ± .014 |
| 1 PLACE | ± 0.35 |
| DRAFT WHERE APPLICABLE MUST REMAIN WITHIN DIMENSIONS | |
| DRWG. BY: CEP | CHKD. BY: RW |
| APP'D. BY: RAS | SCALE: 2 : 1 |

| | | | |
|--|--------------|--|--------------|
| TITLE | | REVISIONS | |
| .062/(1.57) HOUSING; PLUG AND RECEPTACLE; 15 CKT. ± .145/(3.68) CTRS | | SHEET NO. 2 | DATE 7/18/88 |
| MOLEX INCORPORATED | | LITSEJLL 60532 U.S.A. | |
| PART NO. SEE CHART | | DRWG. NO. SD-1625-15 | |
| FILE NAME: S162515X2.DWG | | THIS DRAWING CONTAINS INFORMATION THAT IS PROPRIETARY TO MOLEX INC. AND SHOULD NOT BE USED WITHOUT WRITTEN PERMISSION. | |
| DRW. BY: CEP | CHKD. BY: RW | APP'D. BY: RAS | SCALE: 2 : 1 |

PLUG

RECEPTACLE

| PART NO. | ENG. NO. |
|--|--------------|
| 03-06-2151 ⁴ / ₄ | 1625-15P |
| 03-06-7155 | 1625-15P IBN |
| 03-06-7152 | 1625-15P IBK |
| 03-06-2152 | 1625-15P1 |
| 03-06-7151 ⁴ / ₄ | 1625-15PBK |
| 03-06-7153 ⁴ / ₄ | 1625-15PBN |
| 03-06-7154 ⁴ / ₄ | 1625-15PBU |

| PART NO. | ENG. NO. |
|------------|-------------|
| 03-06-1152 | 1625-15R1 |
| 03-06-6152 | 1625-15R1BK |
| 03-06-6155 | 1625-15R2 |
| NOT TOOLED | 1625-15R2BK |

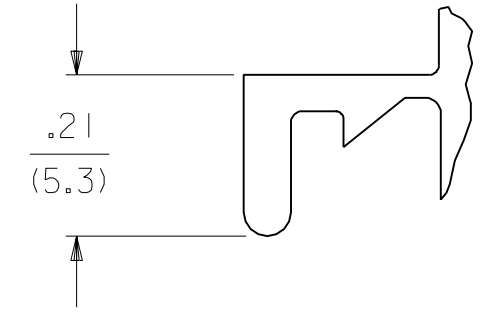
RECEPTACLE LEGEND:

1625-15R***
 CIRCUIT SIZE
 R = RECEPTACLE
 1 = WITHOUT EARS
 2 = WITH PREBENT EARS

PLUG LEGEND:

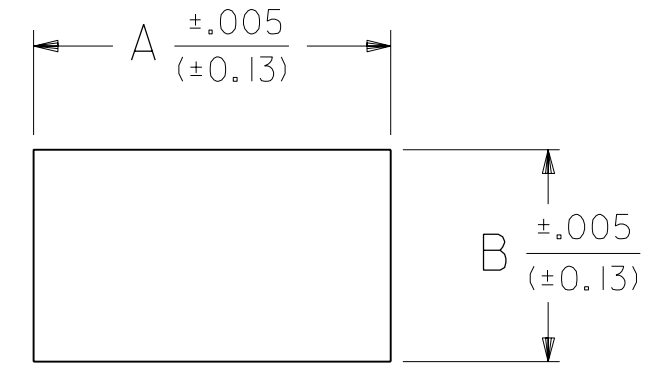
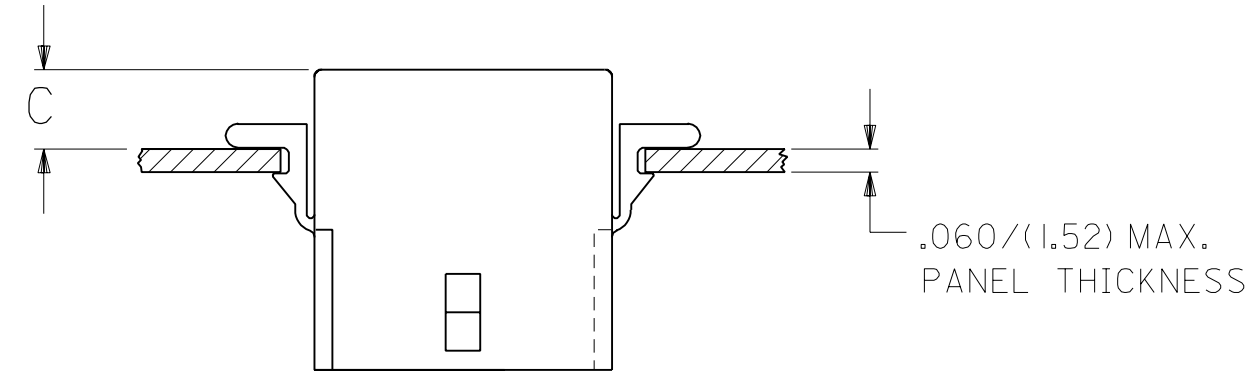
1625-15P***
 CIRCUIT SIZE
 P = PLUG
 BLANK = WITH MOUNTING EARS
 1 = WITHOUT EARS
 COLOR:
 BLANK = NATURAL COLOR
 AM = AMBER BK = BLACK BU = BLUE
 BN = BROWN GY = GRAY GN = GREEN
 OR = ORANGE RD = RED YW = YELLOW

COLOR:
 BLANK = NATURAL COLOR
 AM = AMBER BK = BLACK BU = BLUE
 BN = BROWN GY = GRAY GN = GREEN
 OR = ORANGE RD = RED YW = YELLOW



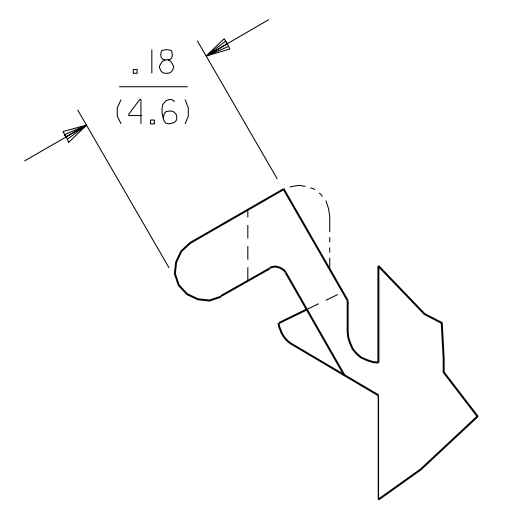
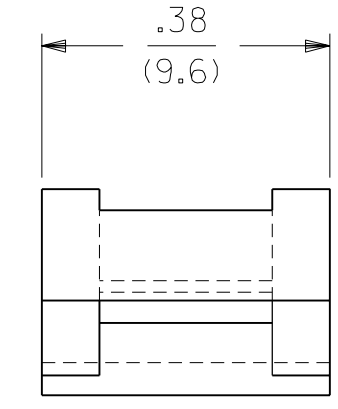
DETAIL 1

STANDARD MOUNTING EAR
 SCALE 4:1



RECOMMENDED HOLE PATTERN

| RECEP. | .930 (23.62) | .569 (14.45) | | .22 (5.6) |
|--------|------------------|-----------------|--------------------------|-------------------------|
| PLUG | 1.032 (26.21) | .620 (15.75) | .20 (5.1) | .21 (5.3) |
| PART | DIM. A | DIM. B | DIM. C (STANDARD EAR) | DIM. C (PREBENT EAR) |



DETAIL 2

.062/(1.57) PREBENT MOUNTING EAR
 (SCALE 4:1)

NOTES:

- MATERIAL: NYLON TYPE 6/6, 94V-2.
- THIS PART COMPLIES WITH MOLEX PRODUCT SPEC. 02-06.
- THIS HOUSING FOR USE WITH .062/(1.57) DIA. TERMINALS.
- ⁴/₄ WHERE DENOTED IN CHART, TOOLS ARE BUILT WITH PREBENT MOUNTING EARS PER DETAIL 2 AND SUPERSEDE ALL TOOLS PREVIOUSLY BUILT WITH THE STANDARD MOUNTING EARS.
- ⁵/₄ CIRCUIT I.D. NUMBERS ON HOUSING APPEAR ON PART FROM TOOLS BUILT AFTER 1/15/94.

| REV. | DESCRIPTION | DATE | BY | CHK'D. |
|------|-------------|------|-----------|--------|
| N | SEE SHEET I | | | |
| M | SEE SHEET I | | | |
| L | SEE SHEET I | | | |
| KI | SEE SHEET I | | | |
| K | SEE SHEET I | | | |
| J | SEE SHEET I | | | |
| H | SEE SHEET I | | | |
| Q2 | SEE SHEET I | | | |
| Q1 | SEE SHEET I | | | |
| Q | SEE SHEET I | | | |
| O | SEE SHEET I | | | |
| LTR. | REVISIONS | LTR. | REVISIONS | |

DIMENSIONS SHOWN (METRIC) INCH
 UNLESS OTHERWISE SPECIFIED TOLERANCES: ANGULAR ± 1°

| INCH | METRIC |
|----------------|--------|
| 3 PLACE ± .010 | --- |
| 2 PLACE ± .014 | ± 0.25 |
| 1 PLACE --- | ± 0.35 |

DRAFT WHERE APPLICABLE MUST REMAIN WITHIN DIMENSIONS

DRWG. BY: GEP CHK'D. BY: RW
 APP'D. BY: RAS SCALE: 2 : 1

TITLE: .062/(1.57) HOUSING; PLUG AND RECEPTACLE; 15 CKT. .145/(3.68) CTRS

MOLEX INCORPORATED
 LISLE, ILL. 60532 U.S.A.

SHEET NO. 3 DATE 7/18/88

PART NO. SD-1625-15* DRWG. NO.

SEE CHART

FILE NAME: S162515X3.DGN
 THIS DRAWING CONTAINS INFORMATION THAT IS PROPRIETARY TO MOLEX INC. AND SHOULD NOT BE USED WITHOUT WRITTEN PERMISSION.

DIV. CP SIZE C