

Component General, Inc.

Coaxial N Male Terminations

MECHANICAL SPECIFICATIONS



Connector: Brass, Nickel Plated.

Insulator: PTFE, Virgin grade.

Impedance: 50 Ω .

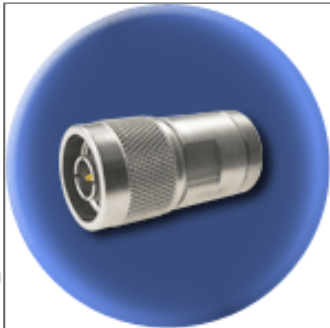
high power coaxial N Male Terminations product selection chart

P/N	Power Avg.	Power Peak	Length	Width
CFT-2 NM	2 W	1.5 KW.	1.600"	0.800"
CFT-5 NM	5 W	2 KW.	1.700"	0.800"
CFT-10 NM	10 W	2 KW.	2.500"	0.065"
CFT-15 NM	15 W	2 KW.	2.550"	1.250"
CFT-35 NM	35 W	3 KW.	2.200"	1.650"
CFT-100 NM	100 W	N/A	6.250"	6.000"
CHT-150 NM	150 W	N/A	2.361"	2.000"
CHT-200 NM	200 W	N/A	3.750"	1.000"
CHT-200-1 NM	200 W	N/A	2.375"	1.000"
CHT-200-3 NM	200 W	N/A	3.750"	1.000"
CHT-250 NM	150 W	N/A	2.361"	2.000"
CHT-250-1 NM	250 W	N/A	2.100"	1.500"
CHT-300 NM	300 W	N/A	3.400"	1.625"

Component General, Inc.

P/N:CFT-2 NM

Coaxial N Series



Electrical Specifications

Average Power:

2 W.

Frequency Range: VSWR (Max.):

DC - 6.0 GHz

1.15:1

6.0 - 12.4 GHz

1.20:1

Peak Power:

1.5 KW.

Impedance:

50 Ω

Mechanical Specifications

Connector:

Brass, Nickel plated.

Contact:

Brass, Gold plated.

Housing:

Brass, Nickel plated.

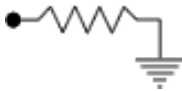
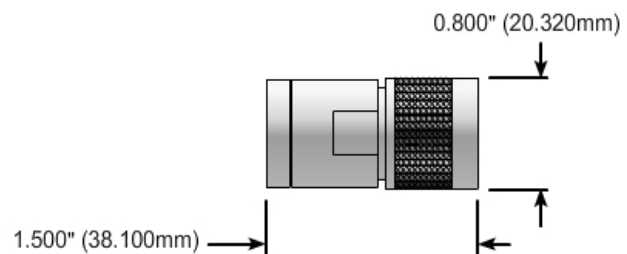
Insulator:

PTFE, Virgin grade.

Weight:

63.0 Grams.

Part Dimensions

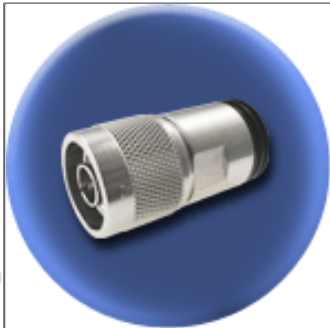


2445 Success Drive Odessa, FL 33556
727-376-6655 or 800-246-4084

Component General, Inc.

P/N:CFT - 5 NM

Coaxial Terminations



Electrical Specifications

Average Power:

5 W.

Frequency Range:

DC - 6.0 GHz

6.0 - 12.4 GHz

VSWR (Max.):

1.20:1

1.30:1

Peak Power:

2.0 K W.

Impedance:

50 Ω

Mechanical Specifications

Connector:

Brass, Nickel plated.

Contact:

Brass, Gold plated .

Housing:

Aluminum, Black Anodized.

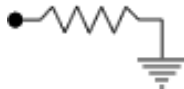
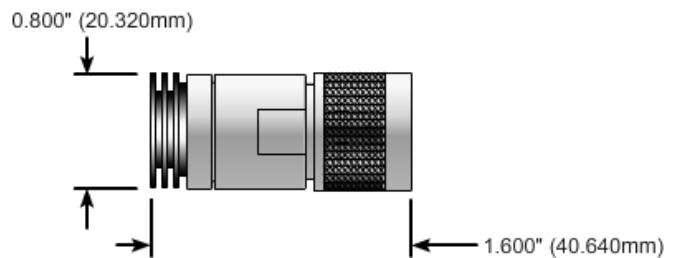
Insulator:

PTFE, Virgin grade.

Weight:

46.0 Grams.

Part Dimensions

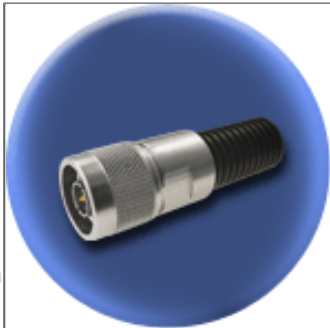


2445 Success Drive Odessa, FL 33556
727-376-6655 or 800-246-4084

Component General, Inc.

P/N:CFT - 10 NM

Coaxial Terminations



Electrical Specifications

Average Power:

10 W.

Frequency Range: **VSWR (Max.):**

DC - 6.0 GHz

1.20:1

6.0 - 12.4 GHz

1.30:1

Peak Power:

2.0 K W.

Impedance:

50 Ω

Mechanical Specifications

Connector:

Brass, Nickel plated.

Contact:

Brass, Silver plated .

Housing:

Aluminum, Black Anodized.

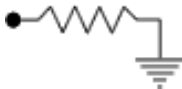
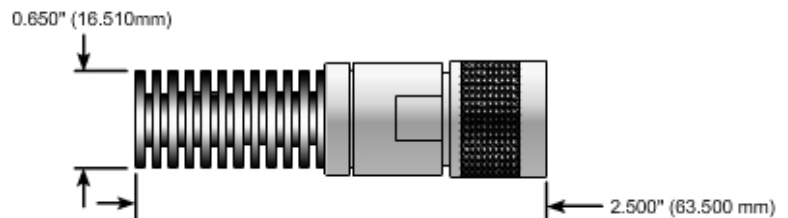
Insulator:

PTFE, Virgin grade.

Weight:

72.0 Grams.

Part Dimensions

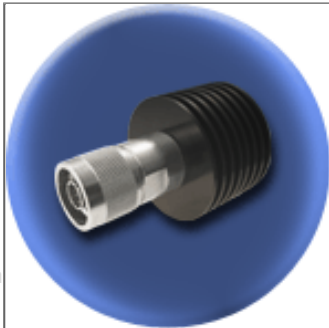


2445 Success Drive Odessa, FL 33556
727-376-6655 or 800-246-4084

Component General, Inc.

P/N:CFT - 15 NM

Coaxial Terminations



Electrical Specifications

Average Power:

15 W.

Frequency Range: **VSWR (Max.):**

DC - 6.0 GHz

1.20:1

6.0 - 12.4 GHz

1.30:1

Peak Power:

2.0 K W.

Impedance:

50 Ω

Mechanical Specifications

Connector:

Brass, Nickel plated.

Contact:

Brass, Silver plated .

Housing:

Aluminum, Black Anodized.

Insulator:

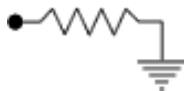
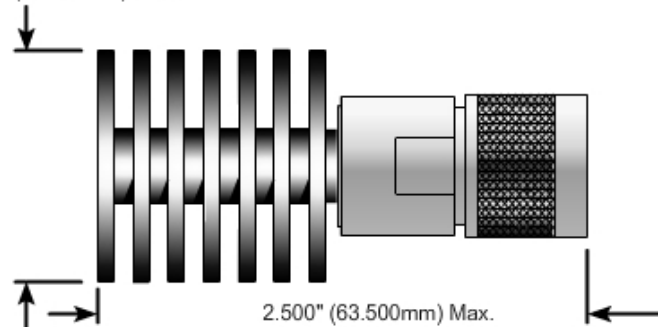
PTFE, Virgin grade.

Weight:

85.0 Grams.

Part Dimensions

1.250" (31.750mm) Max.

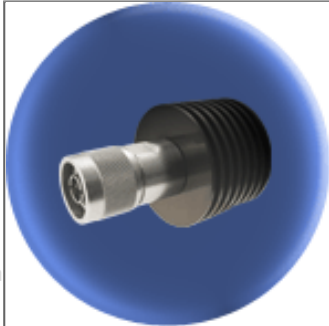


2445 Success Drive Odessa, FL 33556
727-376-6655 or 800-246-4084

Component General, Inc.

P/N:CFT - 35 NM

Coaxial Terminations



Electrical Specifications

Average Power:

35 W.

Frequency Range:

DC - 2.0 GHz

2.0 - 4.0 GHz

VSWR (Max.):

1.15:1

1.20:1

Peak Power:

2.0 K W.

Impedance:

50 Ω

Mechanical Specifications

Connector:

Brass, Nickel plated.

Contact:

Brass, Silver plated .

Housing:

Aluminum, Black Anodized.

Insulator:

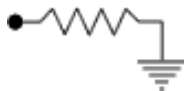
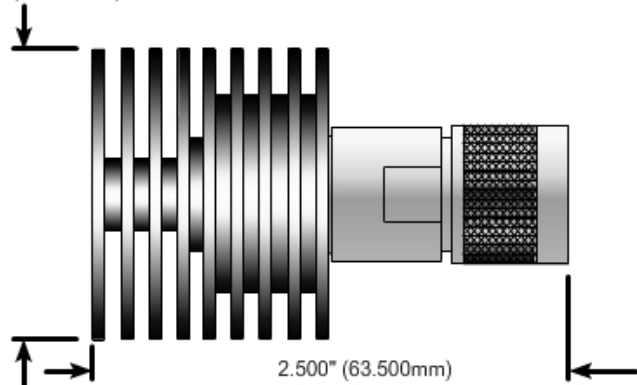
PTFE, Virgin grade.

Weight:

110.0 Grams.

Part Dimensions

1.650" (41.910mm)

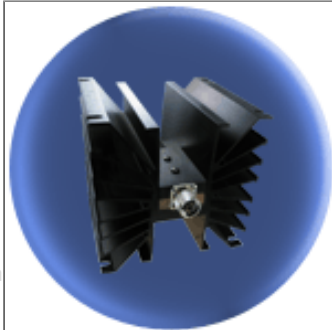


2445 Success Drive Odessa, FL 33556
727-376-6655 or 800-246-4084

Component General, Inc.

P/N:CFT - 100 NM

Coaxial Terminations



Electrical Specifications

Power:

100 W.

Frequency Range:

DC - 1.0 GHz

1.0 - 2.0 GHz

VSWR (Max.):

1.08:1

1.15:1

Impedance:

50 Ω

Mechanical Specifications

Connector:

Brass, Nickel plated.

Contact:

Brass, Silver plated .

Heat Sink:

Aluminum, Black Anodized.

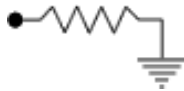
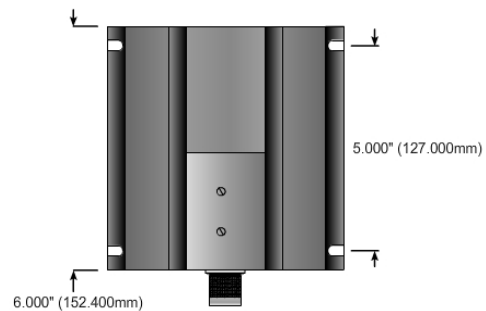
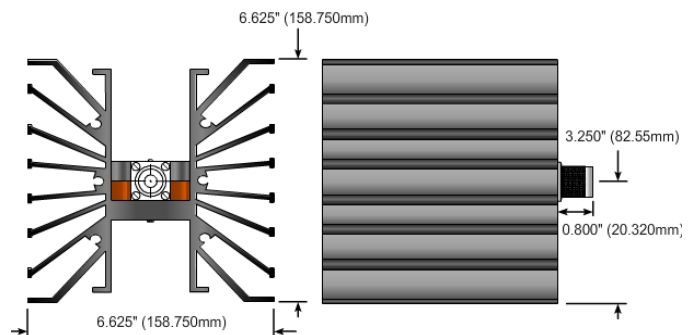
Housing:

Aluminum, Black Anodized.

Insulator:

PTFE, Virgin grade.

Part Dimensions

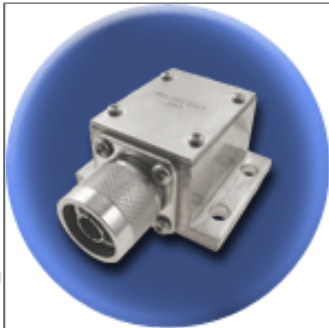


2445 Success Drive Odessa, FL 33556
727-376-6655 or 800-246-4084

Component General, Inc.

P/N:CHT - 150 NM

Coaxial Terminations



Electrical Specifications

Power:

150 W.

Frequency Range:

DC - 1.0 GHz
1.0 - 2.0 GHz

VSWR (Max.):

1.15:1
1.40:1

Impedance:

50 Ω

Mechanical Specifications

Contact:

Beryllium Copper, Silver plated.

Connector:

Brass, Nickel plated.

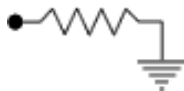
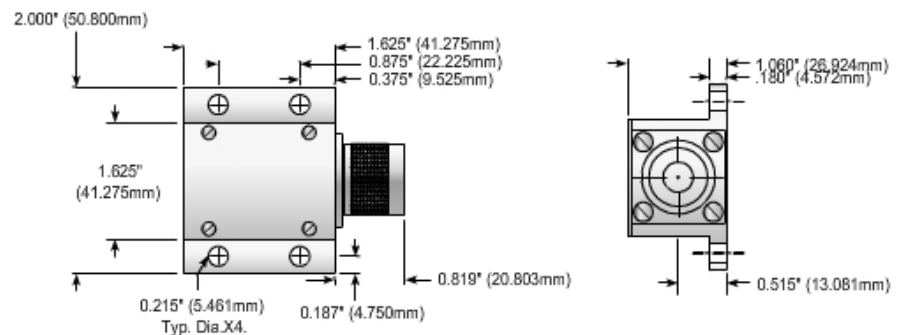
Housing:

Copper, Nickel plated.

Insulator:

PTFE, Virgin grade

Part Dimensions



The CHT Series high power coaxial terminations are conduction cooled loads. They are designed to be mounted on a heat sink ground plane or a chill plate. The power ratings require that the base plate of the CHT-15-2 does not exceed 100°C or 85°C for all other sizes.

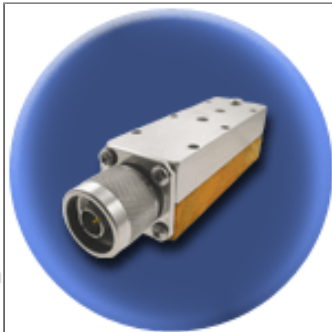


2445 Success Drive Odessa, FL 33556
727-376-6655 or 800-246-4084

Component General, Inc.

P/N:CHT - 200 NM

Coaxial Terminations



Electrical Specifications

Power :

200 W on Adequate
Heat Sink.

Frequency Range:

DC - 1.0 GHz

VSWR (Max.):

1.08:1

Impedance:

50 Ω

Mechanical Specifications

Cover:

Aluminum, Clear iridited .

Connector:

Brass, Nickel plated.

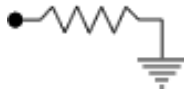
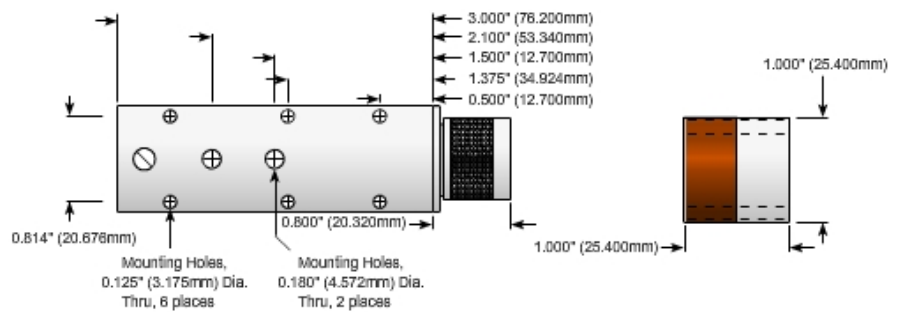
Housing:

Copper, Bare .

Insulator:

PTFE, Virgin grade.

Part Dimensions



Note: Mounting hole spacing can be altered to meet your needs.

The CHT Series high power coaxial terminations are conduction cooled loads. They are designed to be mounted on a heat sink ground plane or a chill plate. The power ratings require that the base plate of the CHT-15-2 does not exceed 100°C or 85°C for all other sizes.

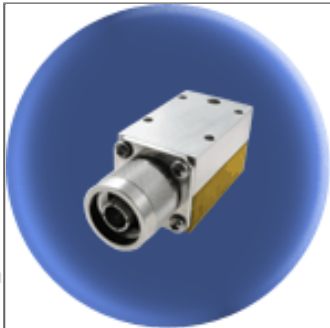


2445 Success Drive Odessa, FL 33556
727-376-6655 or 800-246-4084

Component General, Inc.

P/N:CHT - 200-1 NM

Coaxial Terminations



Electrical Specifications

Power:

200 W on Adequate
Heat Sink.

Frequency Range:

DC - 1.0 GHz

VSWR (Max.):

1.08:1

Impedance:

50 Ω

Mechanical Specifications

Cover:

Aluminum, Gold iredited .

Connector:

Brass, Nickel plated.

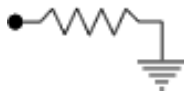
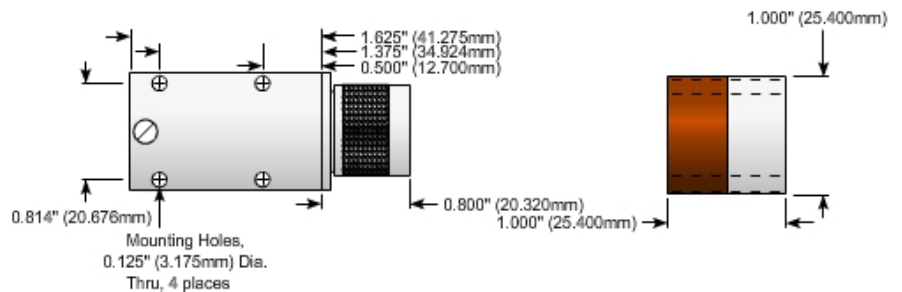
Housing:

Copper, Bare .

Insulator:

PTFE, Virgin grade.

Part Dimensions



Note: Mounting hole spacing can be altered to meet your needs.

The CHT Series high power coaxial terminations are conduction cooled loads. They are designed to be mounted on a heat sink ground plane or a chill plate. The power ratings require that the base plate of the CHT-15-2 does not exceed 100°C or 85°C for all other sizes.



2445 Success Drive Odessa, FL 33556
727-376-6655 or 800-246-4084

Component General, Inc.

P/N:CHT - 250 NM

Coaxial Terminations



Electrical Specifications

	Frequency Range:	VSWR (Max.):
Power: 150 W.	DC - 200 MHz	1.15:1
	200 - 400 MHz	1.25:1
	400 - 800 MHz	1.30:1
Impedance: 50 Ω		

Mechanical Specifications

Contact:

Beryllium Copper, Silver plated..

Connector:

Brass, Nickel plated.

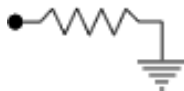
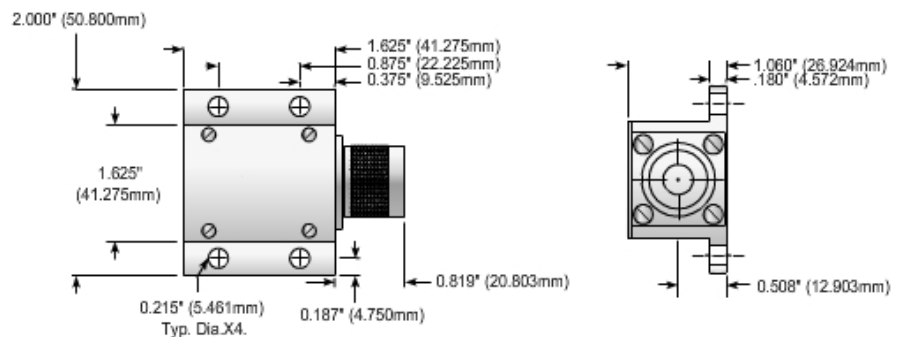
Housing:

Copper, Nickel plated.

Insulator:

PTFE, Virgin grade.

Part Dimensions



The CHT Series high power coaxial terminations are conduction cooled loads. They are designed to be mounted on a heat sink ground plane or a chill plate. The power ratings require that the base plate of the CHT-15-2 does not exceed 100°C or 85°C for all other sizes.



2445 Success Drive Odessa, FL 33556
727-376-6655 or 800-246-4084

Component General, Inc.

P/N: CHT - 250-1 NM

Coaxial Terminations



Electrical Specifications

Power:

250 W on Adequate Heat Sink.

Frequency Range:

DC - 1.0 GHz

VSWR (Max.):

1.10:1

Impedance:

50 Ω

Mechanical Specifications

Cover:

Copper, Nickel Plated.

Connector:

Brass, Nickel plated.

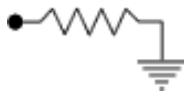
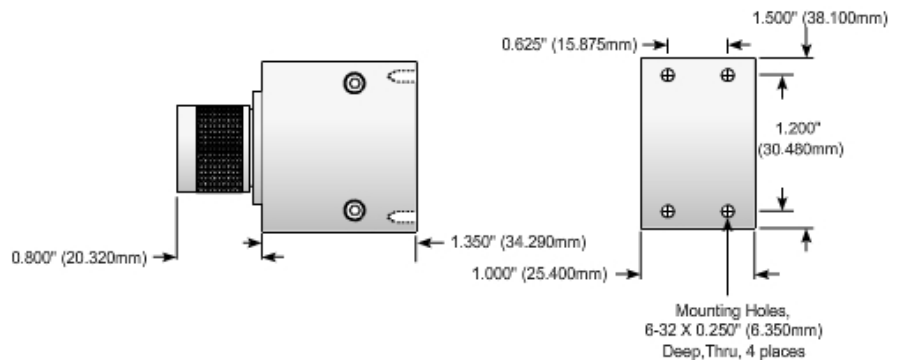
Housing:

Copper, Nickel Plated.

Insulator:

PTFE, Virgin grade.

Part Dimensions



Note: Mounting hole spacing can be altered to meet your needs.

The CHT Series high power coaxial terminations are conduction cooled loads. They are designed to be mounted on a heat sink ground plane or a chill plate. The power ratings require that the base plate of the CHT-15-2 does not exceed 100°C or 85°C for all other sizes.

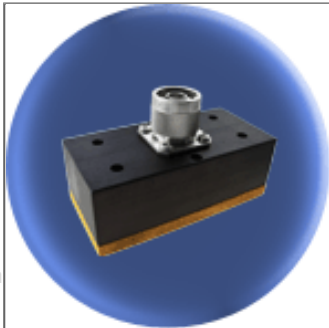


2445 Success Drive Odessa, FL 33556
727-376-6655 or 800-246-4084

Component General, Inc.

P/N:CHT - 300 NM

Coaxial Terminations



Electrical Specifications

Power:

250 W on Adequate
Heat Sink.

Frequency Range:

DC - 1.0 GHz

VSWR (Max.):

1.10:1

Return Loss:

-26 dB (Standard)

Impedance:

50 Ω

Mechanical Specifications

Cover:

Aluminum, Black Anodized .

Connector:

Brass, Nickel plated.

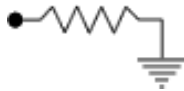
Housing:

Copper, Bare .

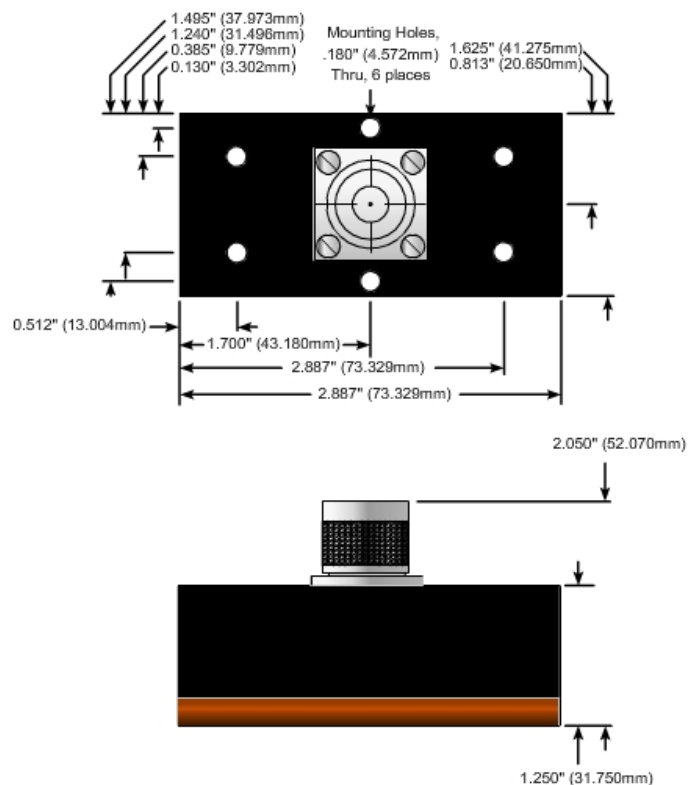
Insulator:

PTFE, Virgin grade.

Note: Mounting hole spacing can be altered to meet your needs.



Part Dimensions



The CHT Series high power coaxial terminations are conduction cooled loads. They are designed to be mounted on a heat sink ground plane or a chill plate. The power ratings require that the base plate of the CHT-15-2 does not exceed 100°C or 85°C for all other sizes.



2445 Success Drive Odessa, FL 33556
727-376-6655 or 800-246-4084