

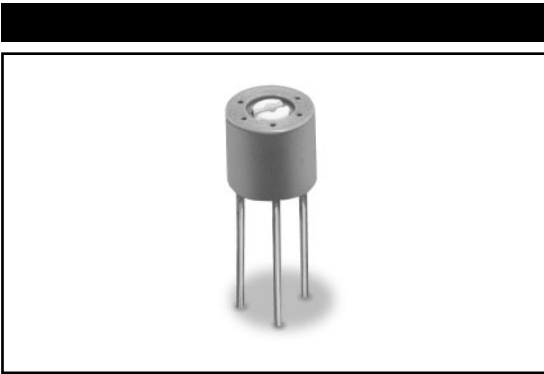
# MODEL 24

## 4mm Diameter

## Single Turn

## Cermet Trimming

## Potentiometer



1

### ELECTRICAL

Standard Resistance Range, Ohms	10 to 1Meg
Standard Resistance Tolerance	±20% (±10% available)
Input Voltage, Maximum	200 Vdc or rms not to exceed power rating
Power Rating, Watts	0.5 at 70°C derating to 0 at 125°C
End Resistance, Maximum	1% or 3 Ohms, whichever is greater
Actual Electrical Travel, Nominal	190°
Dielectric Strength	500Vrms
Insulation Resistance, Minimum	1,000 Megohms
Resolution	Essentially infinite
Contact Resistance Variation, Maximum	2% or 3 Ohms, whichever is greater

### ENVIRONMENTAL

Seal	85°C Fluorinert®
Temperature Coefficient, Maximum	±100ppm/°C (<200 ohms = ±250ppm/°C)
Operating Temperature Range	-55°C to +125°C
Thermal Shock	5 cycles, -55°C to +125°C (2% ΔRT, 2% ΔVR)
Moisture Resistance	Ten 24 hour cycles (3% ΔRT)
Shock, 6ms Sawtooth	100G's (2% ΔRT, 1% ΔVR)
Vibration	20G's, 10 to 2,000 Hz (1% ΔRT, 1% ΔVR)
High Temperature Exposure	250 hours at 125°C (2% ΔRT, 1% ΔVR)
Rotational Life	200 cycles (5% ΔRT)
Load Life at 0.5 Watts	1,000 hours at 70°C (3% ΔRT)
Resistance to Solder Heat	350°C for 3 sec. (1% ΔRT)

### MECHANICAL

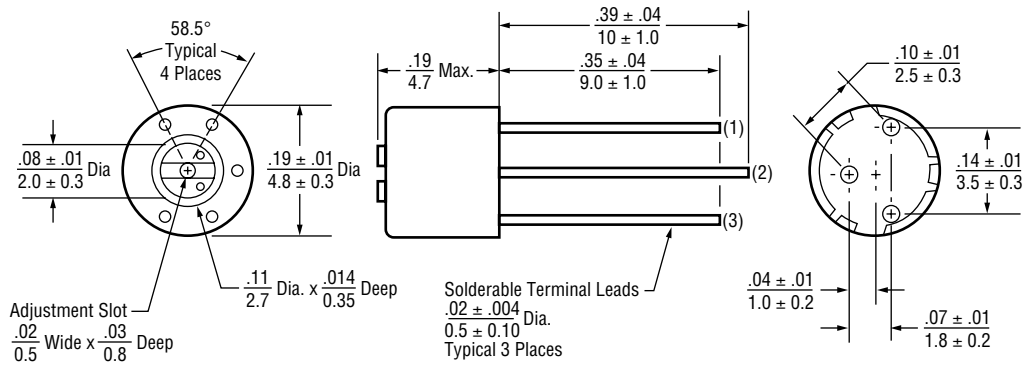
Mechanical Stops	Solid
Stop Strength, Minimum	3 oz.-in. (200 gr-cm)
Torque, Maximum	2 oz.-in. (150 gr-cm)
Weight, Nominal	.01 oz. (0.3 grams)

Fluorinert® is a registered trademark of 3M Company.  
Specifications subject to change without notice.



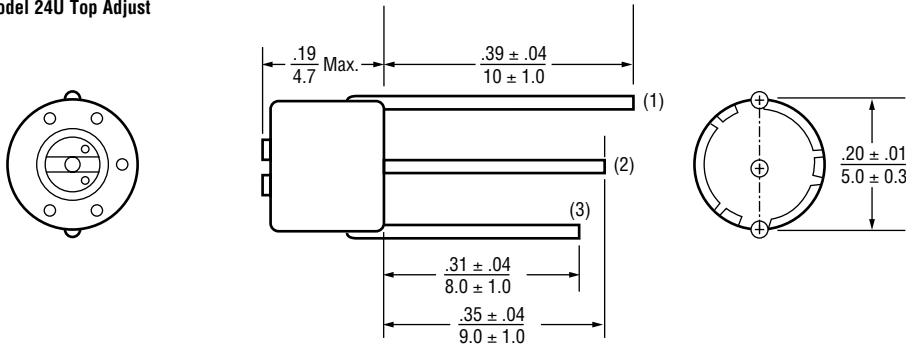
**OUTLINE DIMENSIONS (Inch/mm)**

**Model 24W Top Adjust**

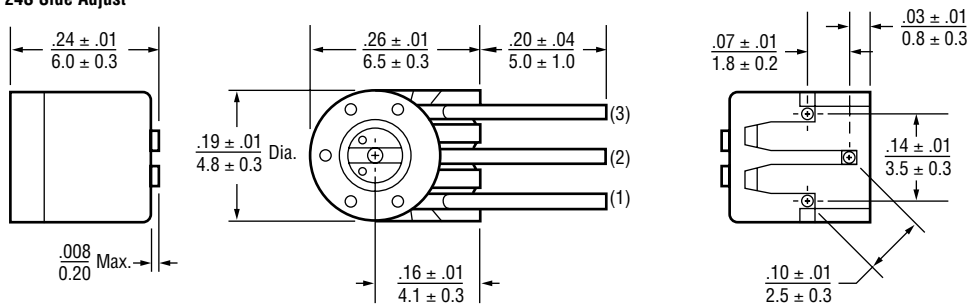


**Note: Model 24W dimensions applicable to all other models except as noted.**

**Model 24U Top Adjust**



**Model 24S Side Adjust**



**STANDARD RESISTANCE VALUES, OHMS**

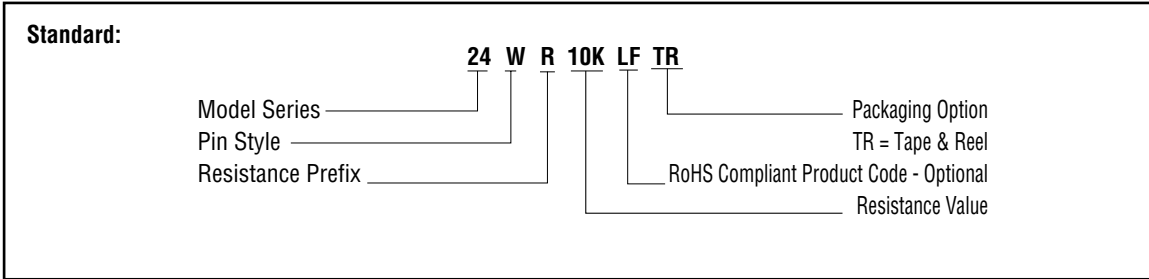
100	1K	10K	100K	1Meg
200	2K	20K	200K	2Meg
500	5K	50K	500K	

**1**

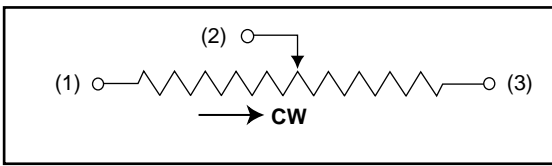
**PACKAGING**

<b>Standard:</b>	Boxes	Capacity	=	100 Units
<b>Option:</b>	Tape & Reel (24U only)			
	All units oriented with #3 pin toward direction of feed.			
	Seat Plane to Centerline of Sprocket Hole = .71" (18 mm)			
Tape	Width	=	18 mm	
	Sprocket	=	Single Hole .50" spacing	
	Capacity	=	1,000 Units	
Reel	Diameter	=	14" (363 mm)	

**ORDERING INFORMATION**



**CIRCUIT DIAGRAM**



**NOTES**

English equivalents are based on 1 inch = 25.4mm and are provided for general information only.

Tolerances unless otherwise specified:  
 Linear = ± 0.3 mm (.01 in.)