

FEATURES AND SPECIFICATIONS

Features and Benefits

- Intermateable, intermountable and interchangeable with industry-standard versions
- Cross tested to assure industry compatibility
- Positive locks
- Fully isolated contacts

Reference Information

Product Specification: PS-42022-0001

Packaging: Tray

UL File No.: E29179

CSA File No.: LR19980

Designed In: inches

Electrical

Voltage: 600V*

Current: 13.5A*

| Circuit | 2 | 3 | 4 | 6 | 9 | 12 | 15 |
|---------|------|------|------|------|------|------|------|
| Amperes | 13.5 | 13.5 | 13.5 | 11.0 | 11.0 | 11.0 | 11.0 |

Contact Resistance: 3.5mΩ max.

Dielectric Withstanding Voltage: 2900V

Insulation Resistance: 1000 MΩ min.

Physical

Header Housing: See Table

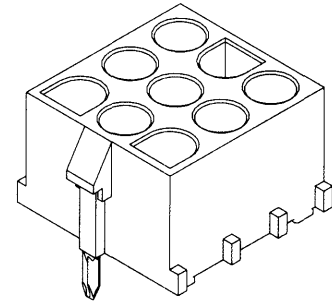
Header Contact: Phosphor Bronze

Plating: Tin

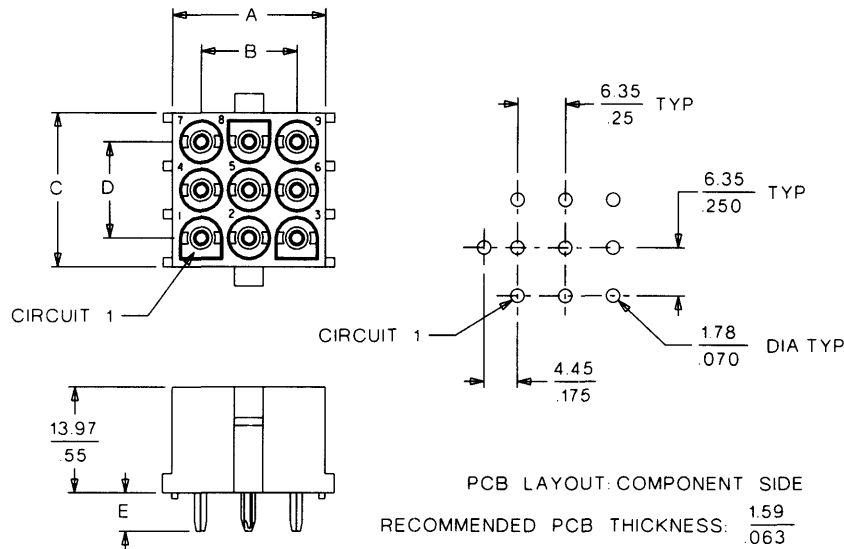
Operating Temperature: -55 to +105°C

molex® 2.13mm (.084") Diameter MLX Power Connector Header

43255 Vertical Polarizing Peg



CATALOG DRAWING (FOR REFERENCE ONLY)



ORDERING INFORMATION AND DIMENSIONS

| Circuits | Order No. | | | | | | Dimension | | | | |
|----------|------------|------------|------------|------------|------------|------------|--------------|--------------|---------------|---------------|-------------|
| | UL 94V-2 | | UL 94V-0 | | | | A | B | C | D | E |
| | White | | White | | Brick Red | | | | | | |
| | Male | Female | Male | Female | Male | Female | | | | | |
| 2 | 43255-0113 | 43255-0115 | 43255-0059 | 43255-0003 | 43255-0001 | 43255-0057 | 7.62 (.300) | | 13.97 (.550) | 6.35 (.250) | 4.30 (.170) |
| 3 | 43255-0121 | 43255-0123 | 43255-0067 | 43255-0011 | 43255-0009 | 43255-0065 | 7.62 (.300) | | 20.32 (.800) | 12.70 (.500) | 4.30 (.170) |
| 4 | 43255-0129 | 43255-0131 | 43255-0075 | 43255-0019 | 43255-0017 | 43255-0073 | 7.62 (.300) | | 26.67 (1.050) | 19.05 (.750) | 4.30 (.170) |
| 6 | 43255-0137 | 43255-0139 | 43255-0083 | 43255-0027 | 43255-0025 | 43255-0081 | 30.32 (.800) | 12.70 (.500) | 13.97 (.550) | 6.35 (.250) | 4.30 (.170) |
| 9 | 43255-0145 | 43255-0147 | 43255-0091 | 43255-0035 | 43255-0033 | 43255-0089 | 30.32 (.800) | 12.70 (.500) | 20.32 (.800) | 12.70 (.500) | 4.30 (.170) |
| 12 | 43255-0153 | 43255-0155 | 43255-0099 | 43255-0043 | 43255-0041 | 43255-0097 | 30.32 (.800) | 12.70 (.500) | 26.67 (1.050) | 19.05 (.750) | 4.30 (.170) |
| 15 | 43255-0161 | 43255-0163 | 43255-0107 | 43255-0051 | 43255-0049 | 43255-0105 | 30.32 (.800) | 12.70 (.500) | 33.02 (1.300) | 25.40 (1.000) | 4.30 (.170) |

* US Standard Product, available through Molex franchised distributors

* Ratings are per circuit, based on fully loaded housings