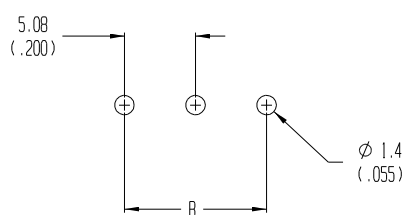
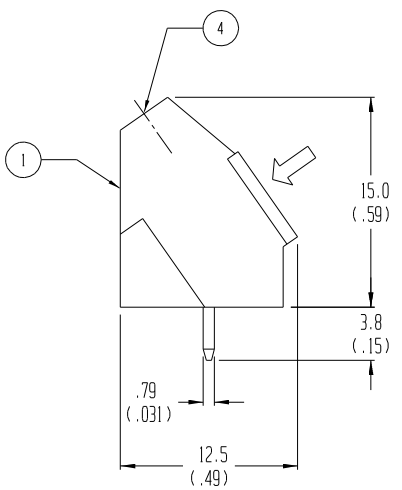
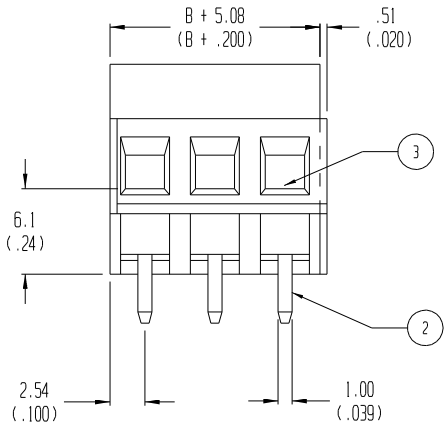


MATERIAL NO.	NO. OF CIRCUITS	ENG NO. (BEAU NO.)	DIM. "B"	
"XX"	"XX"	8802XX	IN.	MM
39880-0402	02	880202	.20	5.1
39880-0403	03	880203	.40	10.2
39880-0404	04	880204	.60	15.2
39880-0405	05	880205	.80	20.3
39880-0406	06	880206	1.00	25.4
39880-0407	07	880207	1.20	30.5
39880-0408	08	880208	1.40	35.6
39880-0409	09	880209	1.60	40.6
39880-0410	10	880210	1.80	45.7
39880-0411	11	880211	2.00	50.8
39880-0412	12	880212	2.20	55.9
39880-0413	13	880213	2.40	61.0
39880-0414	14	880214	2.60	66.0
39880-0415	15	880215	2.80	71.1
39880-0416	16	880216	3.00	76.2
39880-0417	17	880217	3.20	81.3
39880-0418	18	880218	3.40	86.4
39880-0419	19	880219	3.60	91.4
39880-0420	20	880220	3.80	96.5
39880-0421	21	880221	4.00	101.6
39880-0422	22	880222	4.20	106.7
39880-0423	23	880223	4.40	111.8
39880-0424	24	880224	4.60	116.8
39880-0425	25	880225	4.80	121.9



ITEM	QTY.	DESCRIPTION	MATERIAL	FINISH
4	XX	SCREW, M3	COPPER	NICKEL
3	XX	CAGE CLAMP	COPPER	NICKEL
2	XX	TERMINAL, PC	COPPER	HOT TIN DIP
1	1	INSULATOR	POLYAMIDE	BLACK

ECN# 3946
 DRWN: CY 09-02-04
 CH'K:
 APPR:

DESCRIPTION
 MAJOR =
 CRITICAL =
 SPC =
 S =

GENERAL TOLERANCES:
 (UNLESS SPECIFIED)

4 PLACES	mm	±.0015	INCH	±.0015
3 PLACES	mm	±.038	INCH	±.005
2 PLACES	mm	±.13	INCH	±.01
1 PLACE	mm	±.3	INCH	

ANGULAR: ±2°

SCALE: 3:1
 DESIGN UNITS: mm INCH
 THIRD ANGLE PROJECTION
 DRAWN BY & DATE: R. KEMP 6-3-02
 CHECKED BY & DATE: R. STONE 6-3-02
 APPROVED BY & DATE: P. WALTZ 6-3-02
 CAD FILENAME: 8802XX

PROJECT NO. 04-124
 DIMENSIONS: mm INCH mm ONLY INCH ONLY
 SHT REV
 REVISE ON CAD ONLY
 TITLE: 5.08mm EUROSTYLE MEDIUM, SINGLE ROW, 35° ANGLED ENTRY
MOLEX MOLEX INCORPORATED
 MATERIAL NO. SEE CHART
 DRAWING NO. SD-39880-004
 SHEET NO. 1 OF 1
 THIS DRAWING CONTAINS INFORMATION THAT IS PROPRIETARY TO MOLEX INCORPORATED AND SHOULD NOT BE USED WITHOUT WRITTEN PERMISSION.
 SIZE B