

**PLEASE CHECK WWW.MOLEX.COM FOR LATEST PART INFORMATION**

**Part Number:** [0359780830](#)  
**Status:** **Active**  
**Description:** 3.96mm (.156") Pitch Wire-to-Board Header, Vertical, Low Profile, 8 Circuits, Natural, Polyester Alloy

**Documents:**

[3D Model](#) [Product Specification PS-35978-001 \(PDF\)](#)  
[Drawing \(PDF\)](#) [RoHS Certificate of Compliance \(PDF\)](#)

**Agency Certification**

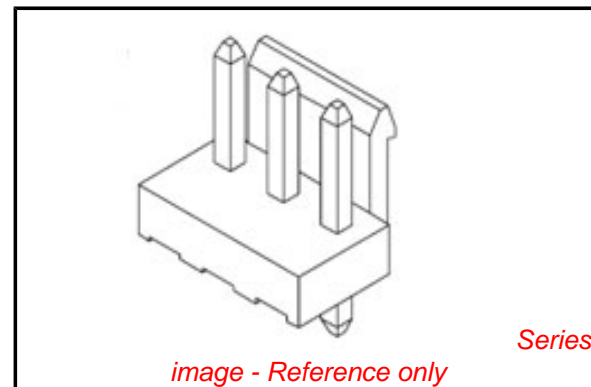
CSA	LR19980
TUV	R72090224
UL	E29179

**General**

Product Family	PCB Headers
Series	<a href="#">35978</a>
Application	Wire-to-Board
Product Name	MV-396™

**Physical**

Breakaway	No
Circuits (Loaded)	8
Circuits (maximum)	8
Color - Resin	Natural
Durability (mating cycles max)	30
First Mate / Last Break	No
Flammability	94V-0
Glow-Wire Compliant	Yes
Guide to Mating Part	No
Keying to Mating Part	None
Lock to Mating Part	Yes
Material - Metal	Brass
Material - Plating Mating	Tin
Material - Plating Termination	Tin-Lead
Material - Resin	Polyester Alloy
Number of Rows	1
Orientation	Vertical
PC Tail Length (in)	0.146 In
PC Tail Length (mm)	3.70 mm
PCB Locator	No
PCB Retention	None
PCB Thickness Recommended (in)	0.062 In
PCB Thickness Recommended (mm)	1.60 mm
Packaging Type	Bag
Pitch - Mating Interface (in)	0.156 In
Pitch - Mating Interface (mm)	3.96 mm
Pitch - Term. Interface (in)	0.156 In
Pitch - Term. Interface (mm)	3.96 mm
Polarized to Mating Part	No
Polarized to PCB	No
Shrouded	No
Stackable	Yes
Surface Mount Compatible (SMC)	No
Temperature Range - Operating	-25°C to +85°C
Termination Interface: Style	Through Hole



**EU RoHS**

**ELV and RoHS Compliant**  
**REACH SVHC**  
 Not Reviewed  
**Halogen-Free Status**  
 Not Reviewed

**China RoHS**



**Need more information on product environmental compliance?**

Email [productcompliance@molex.com](mailto:productcompliance@molex.com)  
 For a multiple part number RoHS Certificate of Compliance, [click here](#)

Please visit the [Contact Us](#) section for any non-product compliance questions.

**Search Parts in this Series**

[35978Series](#)

**Mates With**

[35977 Wire-to-Board Housing](#)

**Electrical**

Current - Maximum per Contact

7A

Voltage - Maximum

250V

**Material Info****Reference - Drawing Numbers**

Packaging Specification

PK-35978-001

Product Specification

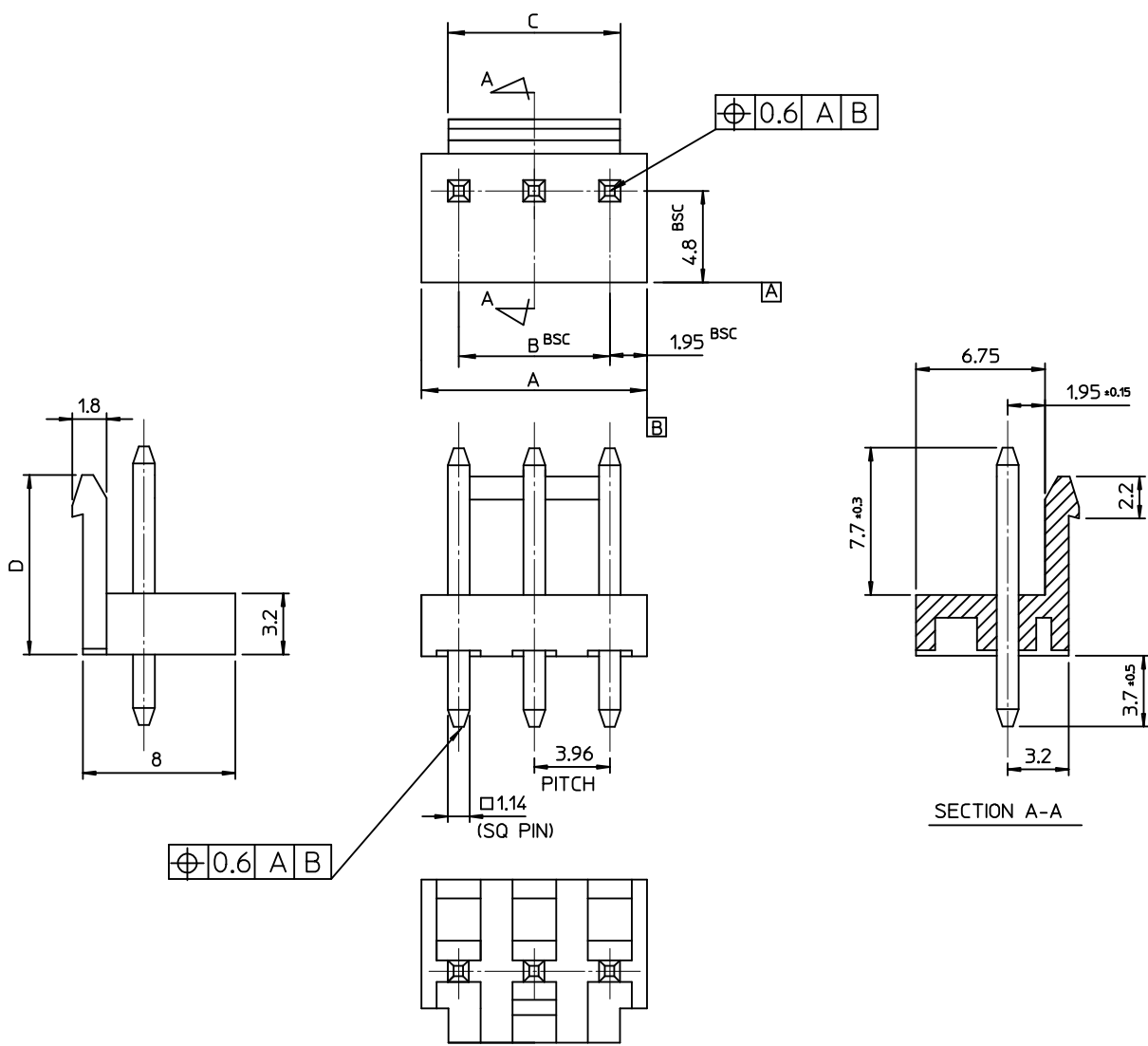
PS-35978-001

Sales Drawing

SD-35978-001

This document was generated on 05/24/2010

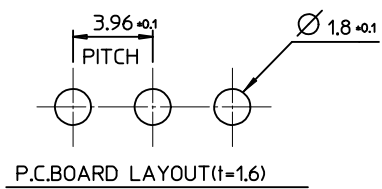
**PLEASE CHECK [WWW.MOLEX.COM](http://WWW.MOLEX.COM) FOR LATEST PART INFORMATION**



NOTES  
 1. MATERIAL : HEADER : PA66, ①PC/PET  
 PIN : BRASS(CDA 2700)  
 2. FINISHES : PIN  
 THICKNESS - TIN PLATED 3.0 MICROMETER MIN.  
 OVER Cu 1.5 MICROMETER MIN.  
 3. PRODUCT SPECIFICATION : PS-35978-001

LEGEND  
 35978-\*\*\*\*  
 -COLOR : 0 - WHITE  
 1 - BLACK  
 2 - RED  
 3 - YELLOW  
 4 - BLUE  
 MATERIAL 1 : PA66 ①3 : PC/PET  
 CURCUIT NO. (02,03,04...)

9.4	56.50	55.44	59.40	3597815**	35978-15**	15
	52.54	51.48	55.44	3597814**	-14**	14
	48.58	47.52	51.48	3597813**	-13**	13
	44.62	43.56	47.52	3597812**	-12**	12
9.7	40.66	39.60	43.56	3597811**	-11**	11
	36.70	35.64	39.60	3597810**	-10**	10
	32.74	31.68	35.64	3597809**	-09**	9
	28.78	27.72	31.68	3597808**	-08**	8
	24.84	23.76	27.72	3597807**	-07**	7
	20.86	19.80	23.76	3597806**	-06**	6
	16.90	15.84	19.80	3597805**	-05**	5
	12.94	11.88	15.84	3597804**	-04**	4
	8.98	7.92	11.88	3597803**	-03**	3
	5.02	3.96	7.92	3597802**	-02**	2
D	C	B	A	MAT'L NO	ENG NO.	CURCUITS



REVISED ECT NO: KOR2009-0137 DRWN: JHPARK01 2009/05/21 CHKD: WY. YANG 2009/05/21 APPR: YUNSIKKIM 2009/05/22	QUALITY SYMBOLS ▽=0 ◻=0	GENERAL TOLERANCES (UNLESS SPECIFIED) mm INCH 4 PLACES ± --- ± --- 3 PLACES ± --- ± --- 2 PLACES ± --- ± --- 1 PLACE ± 0.30 ± --- ANGULAR ± 2 °	DIMENSION STYLE MM ONLY	SCALE 4:1	DESIGN UNITS METRIC	THIRD ANGLE PROJECTION
	DESCRIPTION	DRAFT WHERE APPLICABLE MUST REMAIN WITHIN DIMENSIONS	DRAWN BY Y.R.WI DATE 1999/05/07	TITLE 3.96 W/B HEADER ASSY		
	REV	APPROVED BY C.W.LEE DATE 1999/05/07	MATERIAL NO. SEE TABLE	MOLEX INCORPORATED		SHEET NO. 1 OF 01
			DOCUMENT NO. SD-35978-001	THIS DRAWING CONTAINS INFORMATION THAT IS PROPRIETARY TO MOLEX INCORPORATED AND SHOULD NOT BE USED WITHOUT WRITTEN PERMISSION		