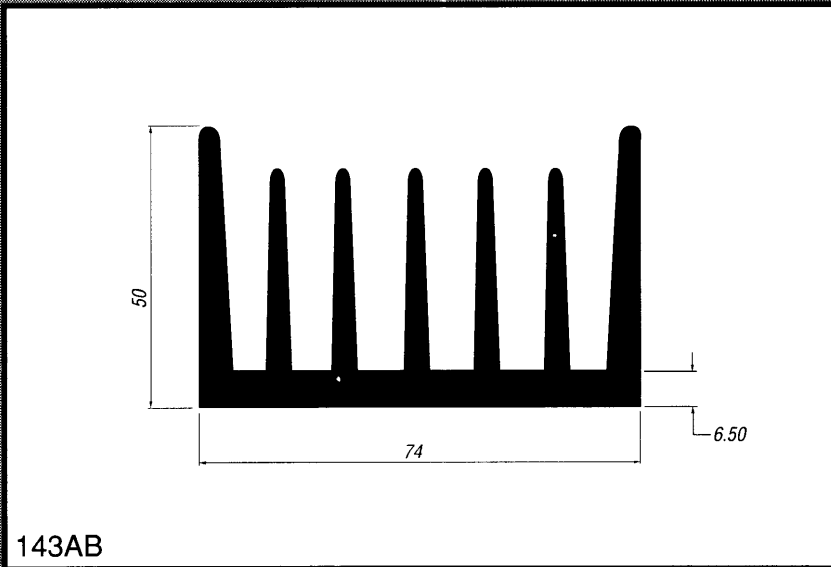
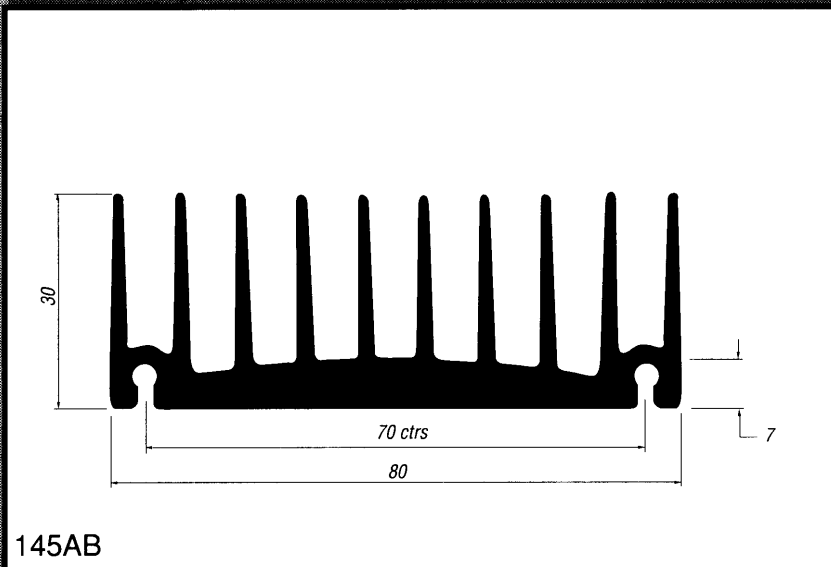
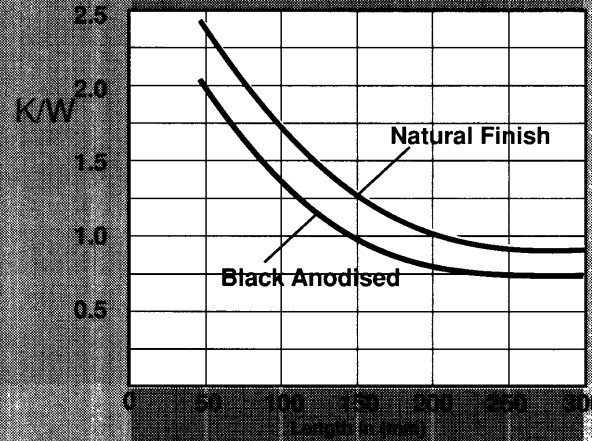


# 100 SERIES



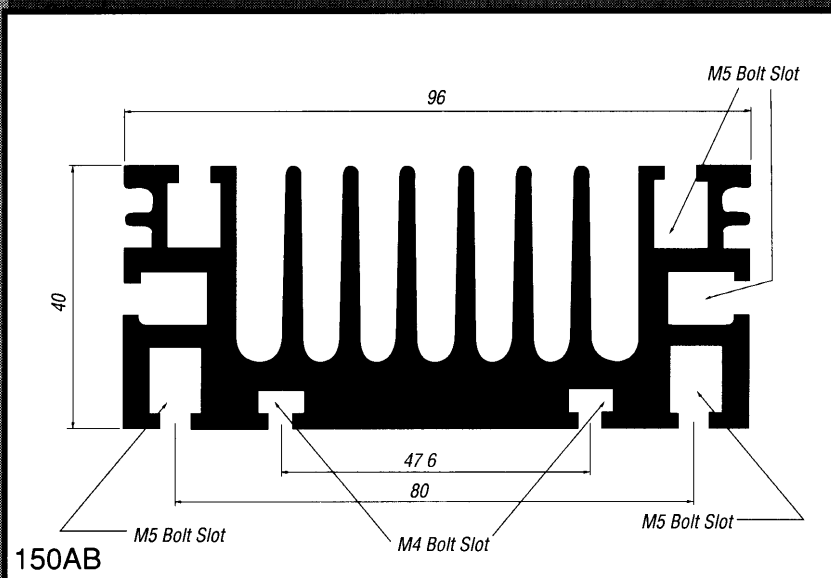
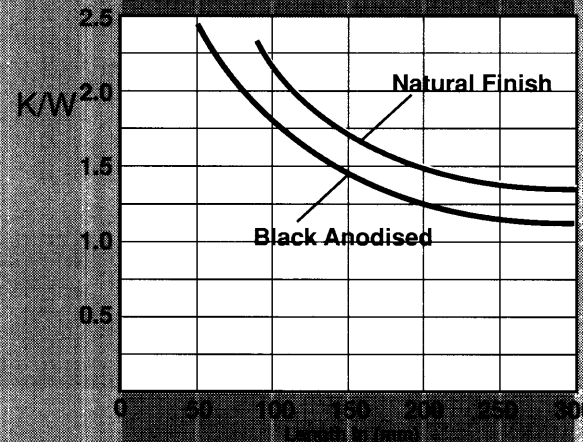
143AB

Typical Performance		°k/w Black				
Length		50	100	150	200	300
°k/w		2.00	1.35	1.00	0.80	0.70



145AB

Typical Performance		°k/w Black				
Length		50	100	150	200	300
°k/w		2.40	1.80	1.40	1.25	1.15



150AB

Typical Performance		°k/w Black				
Length		50	100	150	200	300
°k/w		2.00	1.35	1.10	0.87	0.80

