

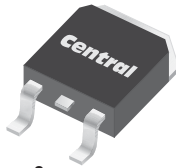
CSHDD16-40C CSHDD16-60C
CSHDD16-100C

**SURFACE MOUNT
DUAL, COMMON CATHODE
SILICON SCHOTTKY RECTIFIERS
16 AMP, 40 THRU 100 VOLTS**



www.centrasemi.com

D²PAK!
SUPER POWER



D²PAK CASE

DESCRIPTION:

The CENTRAL SEMICONDUCTOR CSHDD16-40C Series types are Silicon Schottky Rectifiers designed for surface mount applications requiring a low forward voltage drop. To order devices on 24mm Tape and Reel (800/13" Reel), add TR13 suffix to part number.

MARKING: FULL PART NUMBER

FEATURES:

- High reliability
- Low forward voltage
- High current capability
- High surge capacity
- UL flammability classification 94V-O
- Superior lot to lot consistency
- Low power loss, high efficiency
- High voltage

MAXIMUM RATINGS: (T_C=25°C unless otherwise noted)

	SYMBOL	CSHDD16-40C	CSHDD16-60C	CSHDD16-100C	UNITS
Peak Repetitive Reverse Voltage	V _{RRM}	40	60	100	V
DC Blocking Voltage	V _R	40	60	100	V
RMS Reverse Voltage	V _{R(RMS)}	28	42	70	V
Average Forward Current (T _C =90°C)	I _O		16		A
Peak Forward Surge Current, tp=8.3ms	I _{FSM}		150		A
Critical Rate of Rise of Reverse Voltage	dv/dt		10,000		V/μs
Operating and Storage					
Junction Temperature	T _J , T _{stg}		-65 to +150		°C
Typical Thermal Resistance	θ _{JC}		2.0		°C/W
Typical Thermal Resistance	θ _{JA}		50		°C/W

ELECTRICAL CHARACTERISTICS PER DIODE: (T_C=25°C unless otherwise noted)

SYMBOL	TEST CONDITIONS	CSHDD16-40C		CSHDD16-60C		CSHDD16-100C		UNITS
		TYP	MAX	TYP	MAX	TYP	MAX	
I _R	V _R =Rated V _{RRM}		100		100		100	μA
I _R	V _R =Rated V _{RRM} , T _C = 125°C		15		15		15	mA
V _F	I _F =8.0A		0.65		0.75		0.85	V
V _F	I _F =8.0A, T _C =125°C		0.57		0.65		0.75	V
V _F	I _F =16A		0.84		0.95		1.10	V
V _F	I _F =16A, T _C =125°C		0.72		0.85		1.00	V
C _J	V _R =4.0V, f=1.0MHz		300		300		300	pF

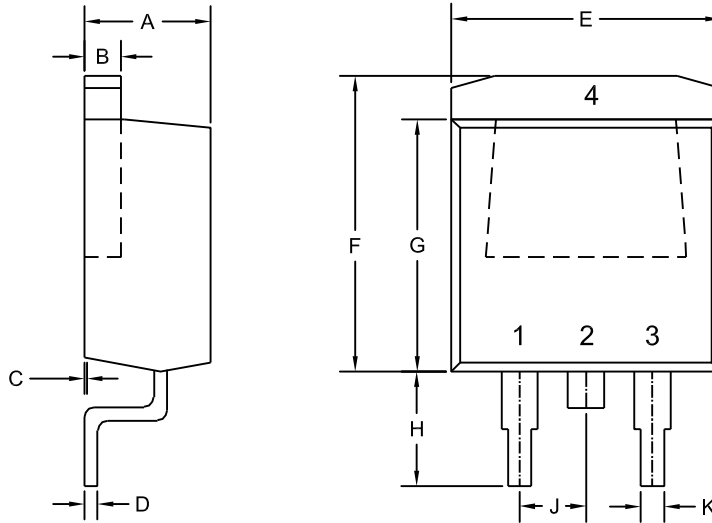
R4 (17-February 2010)

CSHDD16-40C CSHDD16-60C
CSHDD16-100C

**SURFACE MOUNT
DUAL, COMMON CATHODE
SILICON SCHOTTKY RECTIFIERS
16 AMP, 40 THRU 100 VOLTS**



D²PAK CASE - MECHANICAL OUTLINE

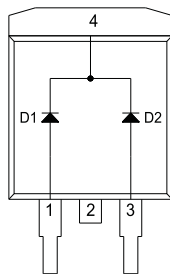


R2

LEAD CODE:

- 1) Anode D1
 - 2) Cathode D1, D2
 - 3) Anode D2
 - 4) Cathode D1, D2
- Pin 2 is Common to the Tab (4).

MARKING: FULL PART NUMBER



DIMENSIONS				
SYMBOL	INCHES		MILLIMETERS	
	MIN	MAX	MIN	MAX
A	0.163	0.189	4.14	4.80
B	0.045	0.055	1.14	1.40
C	0.000	0.010	0.00	0.25
D	0.012	0.028	0.30	0.70
E	0.386	0.409	9.80	10.40
F	0.378	0.417	9.60	10.60
G	0.335	0.358	8.50	9.10
H	0.197	0.236	5.00	6.00
J	0.093	0.108	2.35	2.75
K	0.030	0.035	0.75	0.90

D2PAK (REV: R2)

R4 (17-February 2010)