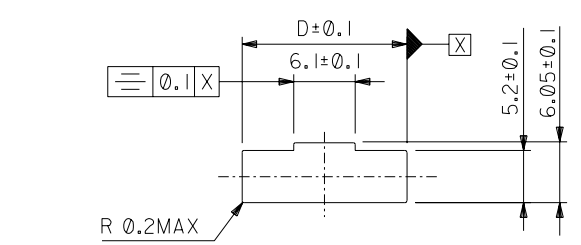
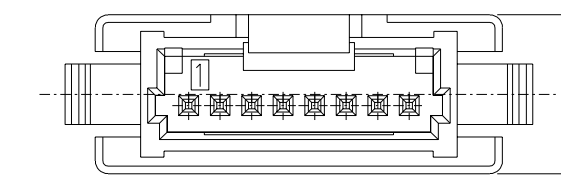
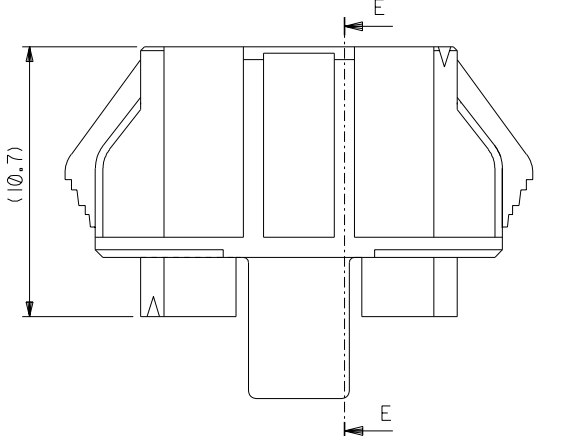
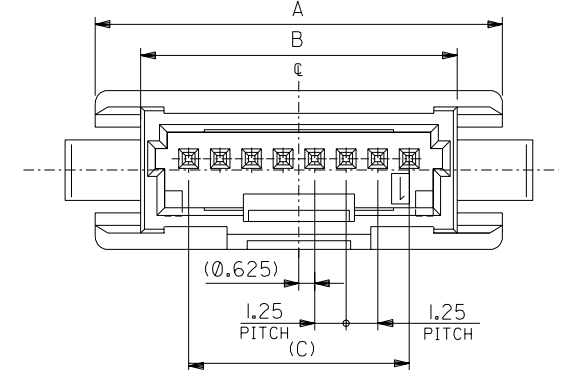
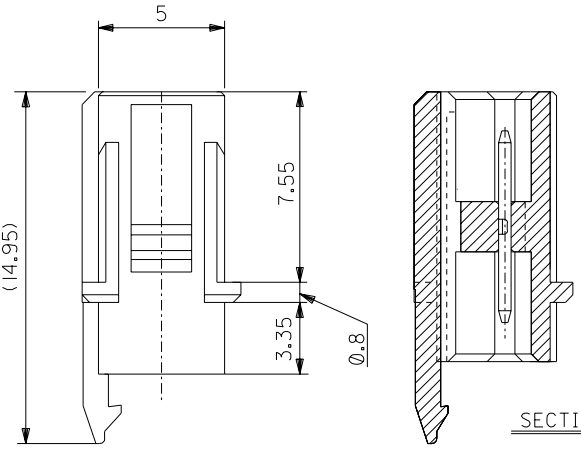


DO NOT SCALE DRAWING

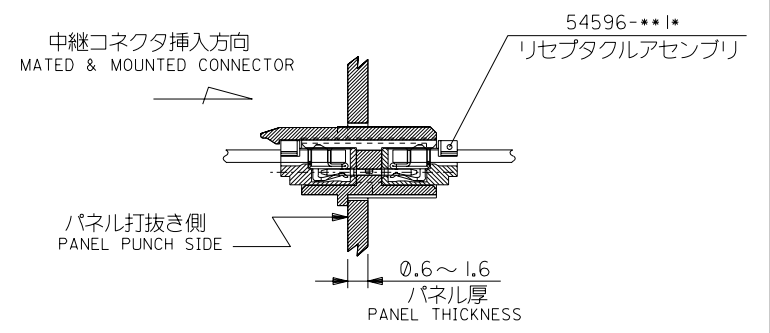
DWG. NO. SD-55482-004



推奨パネル加工寸法 (SCALE:2-1)
RECOMMENDED PANEL CUT DIMENSION



- 注記 1.材質 MATERIAL
 WAFER:66NYLON, UL94-V0
 WAFER:66NYLON, UL94-V0
 PIN:黄銅、銅下地 錫メッキ
 PIN:BRASS, PRE-TINNED
- 2.嵌合相手 MATE WITH
 リセプタクルアセンブリ:54596-***1*
 REC,ASS'Y:54596-***1*
 PIN:リン青銅、錫メッキ
 PIN:PHOSPHOR BRONZE, PRE-TINNED
- 3.本製品は55482-***10の鉛フリー品である。
 THIS PRODUCT IS LEAD FREE OF 55482-***10.



嵌合状態図
MATED & MOUNTED CONNECTOR

31.35	23.75	27.55	31.15	55482-2019	20
30.1	22.5	26.3	29.9	55482-1919	19
28.85	21.25	25.05	28.65	55482-1819	18
27.6	20	23.8	27.4	55482-1719	17
26.35	18.75	22.55	26.15	55482-1619	16
25.1	17.5	21.3	24.9	55482-1519	15
23.85	16.25	20.05	23.65	55482-1419	14
22.6	15	18.8	22.4	55482-1319	13
21.35	13.75	17.55	21.15	55482-1219	12
20.1	12.5	16.3	19.9	55482-1119	11
18.85	11.25	15.05	18.65	55482-1019	10
17.6	10	13.8	17.4	55482-0919	9
16.35	8.75	12.55	16.15	55482-0819	8
15.1	7.5	11.3	14.9	55482-0719	7
13.85	6.25	10.05	13.65	55482-0619	6
12.6	5	8.8	12.4	55482-0519	5
11.35	3.75	7.55	11.15	55482-0419	4
10.1	2.5	6.3	9.9	55482-0319	3
8.85	1.25	5.05	8.65	55482-0219	2
D	C	B	A	MATERIAL NO.	CIRCUITS

EC NO. DRAWN: CHK: APPR:	EC NO. DRAWN: CHK: APPR:	EC NO. DRAWN: CHK: APPR:	EC NO. DRAWN: CHK: APPR:	EC NO. DRAWN: CHK: APPR:	RELEASED '04/05/10 EC NO. J2004-4139 DRWN: Y.SAKIYAMA CHK: M.SASAO APPR: M.SASAO	MATERIAL 材料	注記参照 SEE NOTES	GENERAL TOLERANCES: (UNLESS SPECIFIED) 一般公差	SCALE	DESIGN UNITS	MODEL NO.	DIMENSIONS:			SHT	REV
									5 : 1	mm INCH		THIRD ANGLE PROJECTION	mm INCH	mm INCH	mm INCH	ONLY
EC NO. DRAWN: CHK: APPR:	EC NO. DRAWN: CHK: APPR:	EC NO. DRAWN: CHK: APPR:	EC NO. DRAWN: CHK: APPR:	EC NO. DRAWN: CHK: APPR:	0	FINISH 仕上げ	注記参照 SEE NOTES	10 UNDER 未満	±0.2	DRAWN BY & DATE Y. Sakiyama '04/05/10	TITLE: Mini Mi II I-ROW RELAY WAFER ASS'Y -LEAD FREE-					
																10 OVER 30 UNDER 以上 未満
EC NO. DRAWN: CHK: APPR:	EC NO. DRAWN: CHK: APPR:	EC NO. DRAWN: CHK: APPR:	EC NO. DRAWN: CHK: APPR:	EC NO. DRAWN: CHK: APPR:	0	WIRE RANGE 適用電線範囲	---	30 OVER 以上	±0.3	APPROVED BY & DATE H. Sasaki '04/05/10	MOLEX MOLEX INCORPORATED					
																ANGLE 角度
THIS DRAWING CONTAINS INFORMATION THAT IS PROPRIETARY TO MOLEX INCORPORATED AND SHOULD NOT BE USED WITHOUT WRITTEN PERMISSION.											SIZE B					