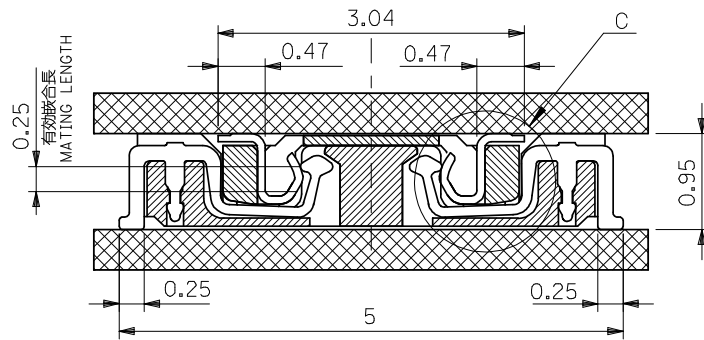


注記
NOTES

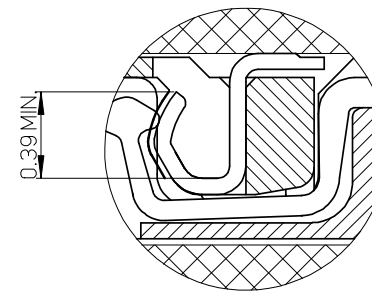
1. 材質 MATERIAL
 ハウジング : 液晶ポリマー-UL94V-0
 HOUSING : LIQUID CRYSTAL POLYMER [LCP]
 UL94V-0
 ターミナル : 銅合金
 TERMINAL : COPPER ALLOY
 ネール : 銅合金
 NAIL : COPPER ALLOY
2. ヌッキ仕様 PLATING
 接点部 : 金メッキ 0.1µm
 CONTACT AREA : GOLD PLATING 0.1µm
 半田付け部 : 金メッキ 0.1µm
 SOLDER TAIL AREA : GOLD PLATING 0.1µm
 下地メッキ : ニッケルメッキ 1.0µm
 UNDER PLATING : NICKEL PLATING 1.0µm
 ネール : 錫メッキ 1.0µmMIN.
 NAIL : TIN PLATING 1.0µmMIN.
 下地メッキ : ニッケルメッキ 1.0µmMIN.
 UNDER PLATING : NICKEL PLATING 1.0µmMIN.
3. テール及びネールの平坦度は0.1以下
 TAIL AND NAIL COPLANARITY : 0.1 MAX.
4. 嵌合相手 : 500024 シリーズ。
 MATE WITH : 500024 SERIES.
5. 本製品は 500027-***29 の鉛フリー品である。
 THIS PRODUCT IS LEAD FREE OF 500027-***29.

17.7	15.6	500027-8041	500027-8049	—#	—#	80
15.7	13.6	500027-7041	500027-7049	—#	—#	70
14.5	12.4	500027-6441	500027-6449	—#	—#	64
13.7	11.6	500027-6041	500027-6049	—#	—#	60
11.7	9.6	500027-5041	500027-5049	—#	—#	50
9.7	7.6	500027-4041	500027-4049	—#	○	40
8.5	6.4	500027-3441	500027-3449	—#	—#	34
7.7	5.6	500027-3041	500027-3049	—#	—#	30
6.5	4.4	500027-2441	500027-2449	○	—#	24
5.7	3.6	500027-2041	500027-2049	○	—#	20
4.9	2.8	500027-1641	500027-1649	○	—#	16
A	B	EMBOSSED TAPE PKG. ORDER No. オーダー番号	MATERIAL No.	LOCK	NOTCH	CIRCUIT

REVISED EC NO: J2009-0301 DRWN: MABEI 2008/08/27 CHKD: THARUYAMA 2008/08/28 APPR: NUKITA 2008/08/28	DESCRIPTION	GENERAL TOLERANCES (UNLESS SPECIFIED)		DIMENSION STYLE MM ONLY		SCALE ---		DESIGN UNITS METRIC		THIRD ANGLE PROJECTION		
		10 UNDER	±0.2	DRAWN BY M. NABEI	DATE '05/01/27	TITLE 0.4MM B/B CONN. H=0.95 PLUG HS'G ASS'Y -LEAD FREE-						
		10 OVER 30 UNDER	±0.25	CHECKED BY K. TOJO	DATE '05/01/27	MOLEX INCORPORATED						
		30 OVER	±0.3	APPROVED BY N. UKITA	DATE '05/01/27							
REV	ANGULAR ±1 °	DRAFT WHERE APPLICABLE MUST REMAIN WITHIN DIMENSIONS		MATERIAL NO. SEE TABLE		DOCUMENT NO. SD-500027-028		SHEET NO. 1 OF 2				

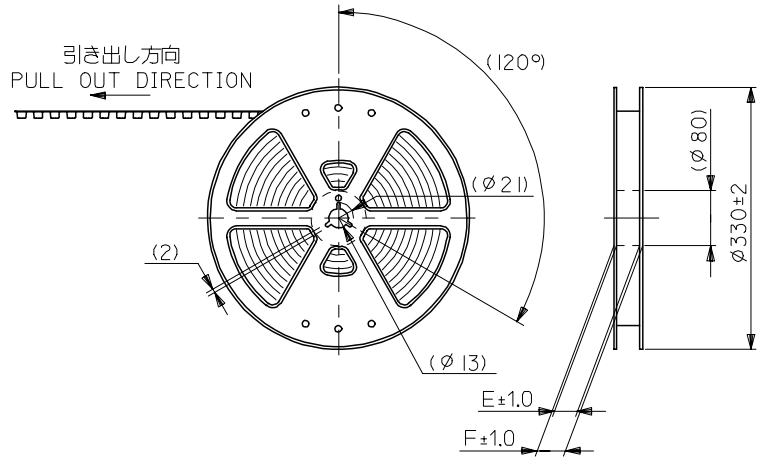


嵌合断面图 (参考)
MATED DRAWING



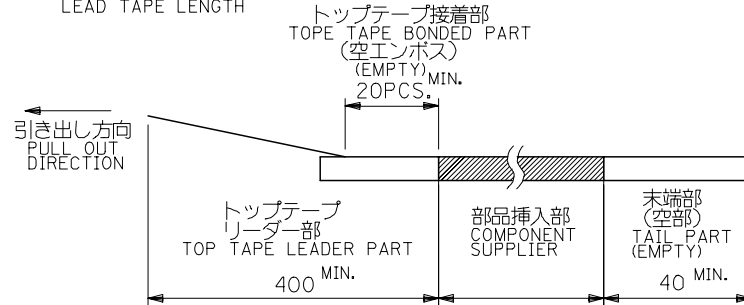
DETAIL C
GOLD PLATED AREA
ON CONTACT

REVISED EC NO.: J2009-0301 DRWN: MABEI 2008/08/27 CHKD: THARUYAMA 2008/08/28 APPR: NUKITA 2008/08/28	GENERAL TOLERANCES (UNLESS SPECIFIED)		DIMENSION STYLE MM ONLY	SCALE ---	500027-**-49	MODEL NO.
	10 UNDER	±0.2	DRAWN BY M. NABEI	DATE '05/01/27	DESIGN UNITS METRIC	THIRD ANGLE PROJECTION
	10 OVER 30 UNDER	±0.25	CHECKED BY K. TOJO	DATE '05/01/27	0.4MM B/B CONN. H=0.95 PLUG HS'G ASS'Y -LEAD FREE-	
	30 OVER	±0.3	APPROVED BY N. UKITA	DATE '05/01/27	MOLEX INCORPORATED	
	ANGULAR ±1 °	DRAFT WHERE APPLICABLE MUST REMAIN WITHIN DIMENSIONS	MATERIAL NO. SEE SHEET 1	DOCUMENT NO. SD-500027-028	SHEET NO. 2 OF 2	
B			SIZE A3	THIS DRAWING CONTAINS INFORMATION THAT IS PROPRIETARY TO MOLEX INCORPORATED AND SHOULD NOT BE USED WITHOUT WRITTEN PERMISSION		



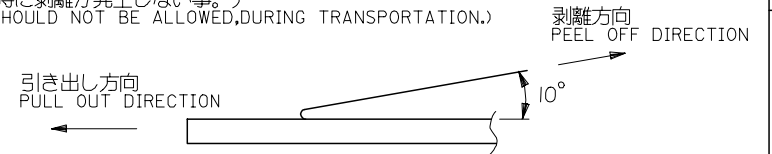
注)
NOTES

- 製品番号 500027-***49 詳細寸法については、製品単体図面を参照下さい。
IN THE PACKAGE PART NUMBER 500027-***49 DETAILED DIMENSIONS, SEE SALES DRAWING FOR CONNECTOR.
- 梱包数量：2000個/リール
NUMBER OF CONNECTORS : 2000 PCS/REEL.
- リードテープ長さ
LEAD TAPE LENGTH



- トップテープの剥離強度：(剥離方向は下図参照)
PEELING OFF FORCE OF TOP TAPE (PELLING DIRECTION AS SHOWN IN FOLLOWING FIGURE.)
0.1~1.3N (10~130gf)

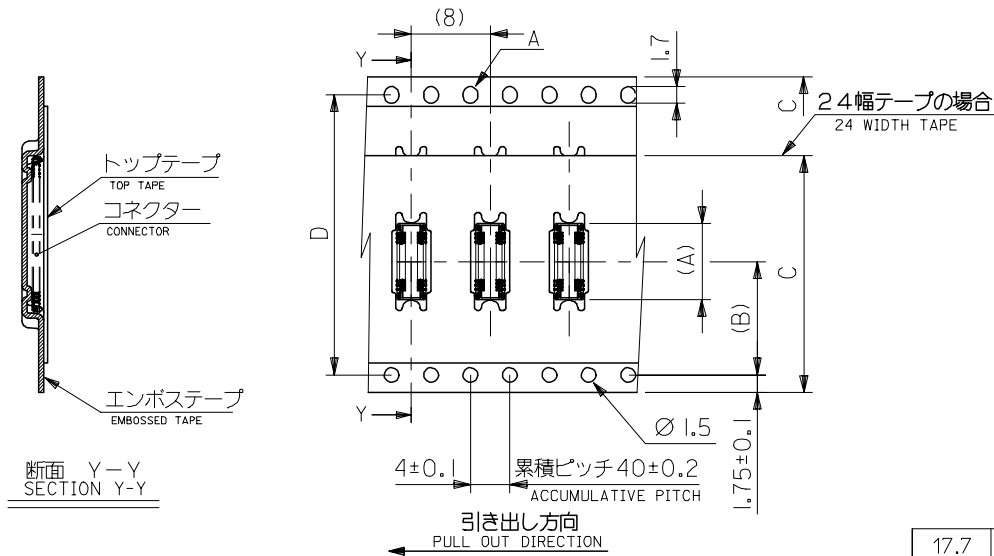
尚、本規格値は、出荷時に適用。
THIS REQUIREMENT SHOULD BE APPLIED AT SHIPMENT.
(但し、輸送時に剥離が発生しない事。)
(PEEL OFF SHOULD NOT BE ALLOWED, DURING TRANSPORTATION.)



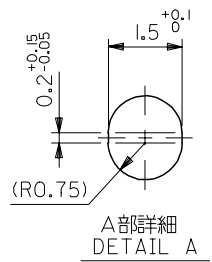
- 材料
MATERIAL
キャリアテープ：ポリプロピレン (PP)
CARRIER TAPE: POLYPROPYLENE (PP)
トップテープ：PET, PE, PEF
TOP TAPE: PET, PE, PEF
リール：ポリスチレン
REEL : POLYSTYRENE

- 本製品は 500027-***21 の鉛フリー品である。
THIS PRODUCT IS LEAD FREE OF 500027-***21.

RELEASED		GENERAL TOLERANCES (UNLESS SPECIFIED)		DIMENSION STYLE		SCALE	500027-***41	MODEL NO.
EC NO: J2005-2190	2005/02/02	10 UNDER ±0.2		MM ONLY		---	DESIGN UNITS	THIRD ANGLE PROJECTION
DRWN: MABEI	2005/02/02	10 OVER 30 UNDER ±0.25		DRAWN BY DATE		TITLE	METRIC	500027-***49 TAPING PACKAGE -LEAD FREE-
CHKD: KTOJO	2005/02/02	30 OVER ±0.3		M. NABEI '05/01/27				
APPR: NUKITA	2005/02/02	ANGULAR ±1 °		CHECKED BY DATE				
REV: 0		DRAFT WHERE APPLICABLE MUST REMAIN WITHIN DIMENSIONS		APPROVED BY DATE		MOLEX INCORPORATED	DOCUMENT NO.	SHEET NO.
				N. UKITA '05/01/27				
				MATERIAL NO.		SEE CHART	SD-500027-029	1 OF 2
				SIZE		THIS DRAWING CONTAINS INFORMATION THAT IS PROPRIETARY TO MOLEX INCORPORATED AND SHOULD NOT BE USED WITHOUT WRITTEN PERMISSION		



断面 Y-Y
SECTION Y-Y



A部詳細
DETAIL A

17.7	14.2	32±0.3	28.4	33.4	37.4	500027-8049	500027-8041	80		
15.7	14.2	32±0.3	28.4	33.4	37.4	500027-7049	500027-7041	70		
14.5	14.2	32±0.3	28.4	33.4	37.4	500027-6449	500027-6441	64		
13.7	14.2	32±0.3	28.4	33.4	37.4	500027-6049	500027-6041	60		
11.7	11.5	24±0.3	—#—	25.4	29.4	500027-5049	500027-5041	50		
9.7	11.5	24±0.3	—#—	25.4	29.4	500027-4049	500027-4041	40		
8.5	11.5	24±0.3	—#—	25.4	29.4	500027-3449	500027-3441	34		
7.7	11.5	24±0.3	—#—	25.4	29.4	500027-3049	500027-3041	30		
6.5	11.5	24±0.3	—#—	25.4	29.4	500027-2449	500027-2441	24		
5.7	11.5	24±0.3	—#—	25.4	29.4	500027-2049	500027-2041	20		
4.9	11.5	24±0.3	—#—	25.4	29.4	500027-1649	500027-1641	16		
500027-***41		(A)	(B)	C	D	E	F	CONNECTOR	MATERIAL No.	CIRCUIT

RELEASED EC NO: J2005-2190 DRAWN: NABEI CHKD: KTOJO APPR: NUKITA	2005/02/02	2005/02/02	2005/02/02	DESCRIPTION GENERAL TOLERANCES (UNLESS SPECIFIED) DIMENSION STYLE MM ONLY SCALE --- DESIGN UNITS METRIC THIRD ANGLE PROJECTION	
	10 UNDER	±0.2	DRAWN BY M. NABEI DATE '05/01/27		TITLE 500027-***49 TAPING PACKAGE -LEAD FREE-
	10 OVER 30 UNDER	±0.25	CHECKED BY K. TOJO DATE '05/01/27		
	30 OVER	±0.3	APPROVED BY N. UKITA DATE '05/01/27		MOLEX INCORPORATED DOCUMENT NO. SD-500027-029 SHEET NO. 2 OF 2
0	ANGULAR ±1 ° DRAFT WHERE APPLICABLE MUST REMAIN WITHIN DIMENSIONS	SEE CHART THIS DRAWING CONTAINS INFORMATION THAT IS PROPRIETARY TO MOLEX INCORPORATED AND SHOULD NOT BE USED WITHOUT WRITTEN PERMISSION			