

# Double Balanced Mixers B60K 6.0 to 10.0 GHz

## Specifications

|              |                 |
|--------------|-----------------|
| RF Frequency | 6.0 to 10.0 GHz |
| LO Frequency | 7.0 to 11.0 GHz |
| LO Power     | +10 dBm typ     |

## Transfer Characteristics

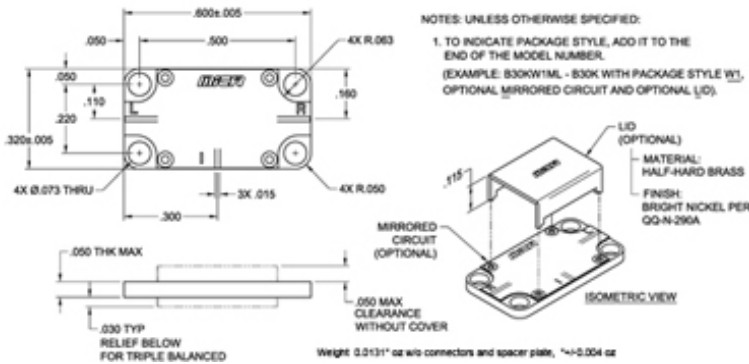
|                    |                        |
|--------------------|------------------------|
| Conversion Loss    | 5 dB typ<br>7.0 dB max |
| IF Frequency       | DC to 2.0 GHz          |
| LO to RF Isolation | 25 dB min<br>38 dB typ |
| LO to IF Isolation | 20 dB min<br>35 dB typ |
| IP3 In             | +14 dBm typ            |
| P1dB In            | +4 dBm typ             |



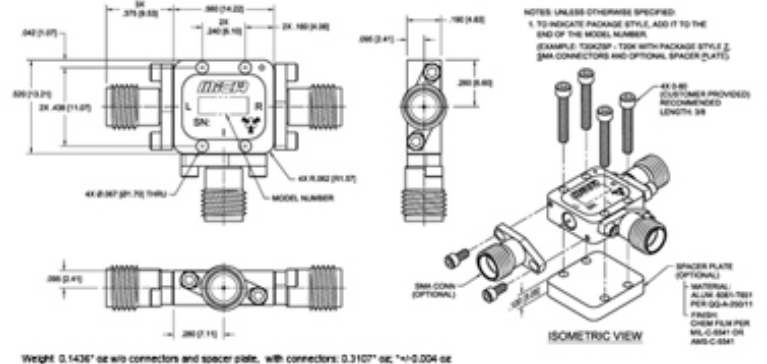
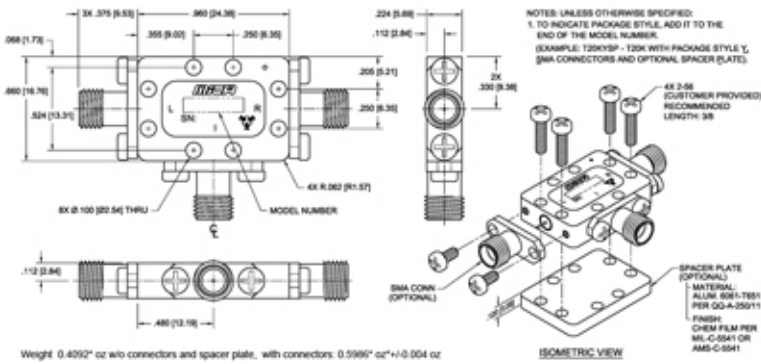
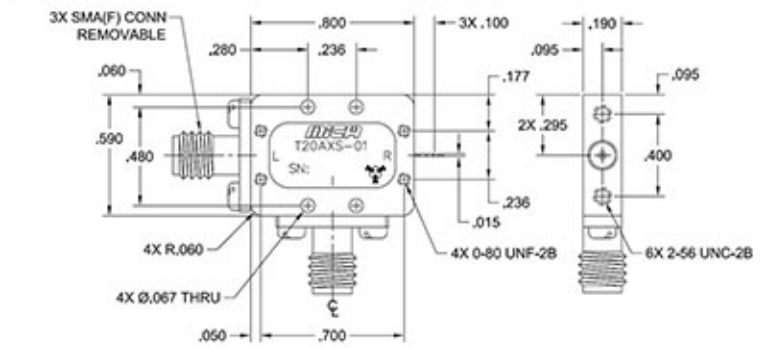
## Available Package Styles

Available Package Styles

W1,X,Y,Z



## X PACKAGE



## Environmental Ratings

Operating Temp -55 °C to 100 °C

## Notes

Specifications subject to change without notice

Mica Microwave | Manteca, CA | 1-209-825-3977 | [www.Mica-MW.com](http://www.Mica-MW.com)



