

### Product Features

- 50 – 2000 MHz
- +23 dBm P1dB
- +39 dBm Output IP3
- 20.5 dB Gain @ 900 MHz
- 17.6 dB Gain @ 1900 MHz
- Single Positive Supply (+8V)
- Lead-free/Green/RoHS-compliant SOT-89 Package

### Applications

- Mobile Infrastructure
- Defense/Homeland Security

### Specifications <sup>(1)</sup>

Parameters	Units	Min	Typ	Max
Operational Bandwidth	MHz	50		2000
Test Frequency	MHz		900	
Gain	dB		20.5	
Output P1dB	dBm		+23	
Output OIP3	dBm		+39	
Test Frequency	MHz		1900	
Gain	dB	17	17.6	
Output P1dB	dBm		+23	
Output IP3 <sup>(2)</sup>	dBm	+38	+40	
IS-95A Channel Power @ -45 dBc ACPR, 1900 MHz	dBm		+16	
Noise Figure	dB		5.2	
Operating Current Range <sup>(3)</sup>	mA	85	100	135
Device Voltage <sup>(4)</sup>	V		5	

1. Test conditions unless otherwise noted: 25 °C, Vsupply = +8V, in tuned application circuit with Rbias = 30 Ω.
2. 3OIP measured with two tones at an output power of +9 dBm/tone separated by 1 MHz. The suppression on the largest IM3 product is used to calculate the 3OIP using a 2:1 rule. OIP3 is tested using a tuned fixture for optimal OIP3. Specifically, the 1.5pF output shunt capacitor is placed at 44° away from pin 3. The application circuit is tuned for optimum ACPR performance. OIP3 performance shown elsewhere in this datasheet corresponds to the 1.5pF capacitor placed at 39° away from pin 3. The recommended configuration will yield 2 dB lower OIP3, but will have improved S22 and gain flatness performance.
3. This corresponds to the quiescent current or operating current under small-signal conditions.
4. This device requires a minimum 7 V power supply through a dropping resistor. 8 V and 30 ohms are recommended for proper operation. Operation of the device directly to a 5 V supply could lead to thermal damage to the device.

### Absolute Maximum Rating

Parameter	Rating
Operating Case Temperature	-40 to +85 °C
Storage Temperature	-55 to +150 °C
RF Input Power (continuous)	+15 dBm
Device Voltage	+6 V
Device Current	150 mA
Junction Temperature	+250 °C

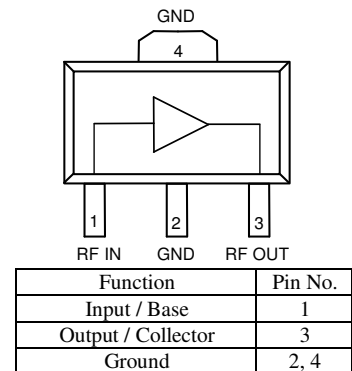
Operation of this device above any of these parameters may cause permanent damage.

### Product Description

The AH110 is a high dynamic range driver amplifier in a low-cost surface mount package. The InGaP/GaAs HBT is able to achieve performance over a broad range with +39 dBm OIP3 and +23 dBm of compressed 1-dB power. It is housed in a lead-free/green/RoHS-compliant SOT-89 SMT package. All devices are 100% RF and DC tested.

The product is targeted for use as a gain block/driver amplifier for various current and next generation wireless technologies such as GPRS, GSM and CDMA, where high linearity and medium power is required. In addition, the AH110 will work for numerous other applications within 50 to 2000 MHz frequency range.

### Functional Diagram



### Typical Performance <sup>(5)</sup>

Parameters	Units	Typical	
Frequency	MHz	900	1900
S21 – Gain	dB	20.5	17.6
S11 – Input R.L.	dB	-20	-17
S22 – Output R.L.	dB	-9.5	-7.4
Output P1dB	dBm	+22.8	+23
Output IP3 <sup>(6)</sup>	dBm	+39	+38
IS-95A Channel Power <sup>(7)</sup>	dBm	+17	+16
Noise Figure	dB	5	5.2
Supply Bias		+8 V @ 100 mA	

5. Typical parameters reflect performance in a tuned application circuit: Supply Voltage = +8 V, Icc = 100 mA, +25 °C, Rbias = 30 Ω.
6. The recommended configuration with the 1.5pF output shunt capacitor placed at 39° away from pin 3 will yield 2 dB lower OIP3 than the maximum achievable OIP3, but will have improved S22 and gain flatness performance. Refer to note 2 for more information.
7. This is measured with an IS-95 signal at (9 ch. Fwd) at -45dBc ACPR.

### Ordering Information

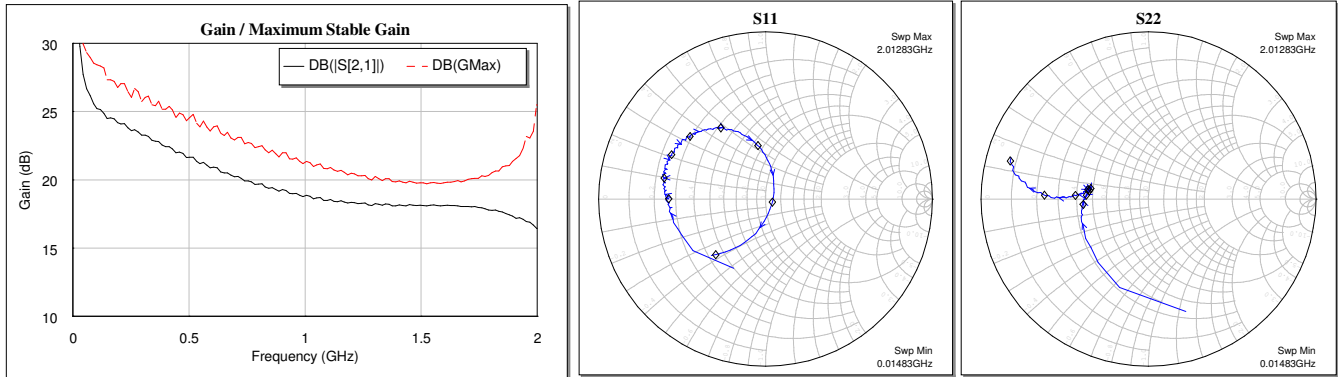
Part No.	Description
AH110-89G	InGaP HBT Gain Block (lead-free/green/RoHS-compliant SOT-89 package)
AH110-89PCB900	900 MHz Evaluation Board
AH110-89PCB1900	1900 MHz Evaluation Board

Specifications and information are subject to change without notice



### Typical Device Data

S-parameters ( $V_{device} = +5V, I_{cc} = 100\text{ mA}, 25\text{ }^\circ\text{C}$ , unmatched 50 ohm system)



Notes:

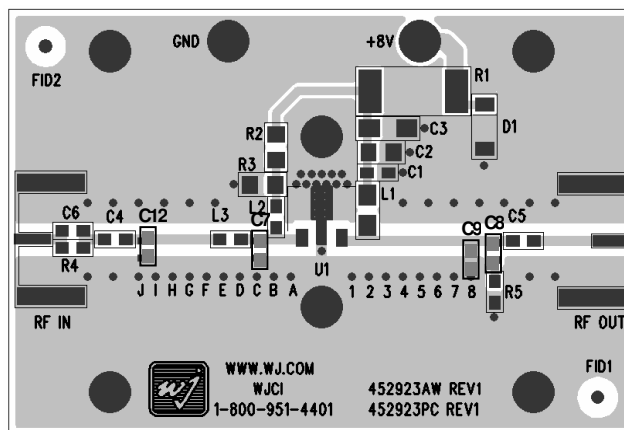
The gain for the unmatched device in 50 ohm system is shown as the trace in blue color. For a tuned circuit for a particular frequency, it is expected that actual gain will be higher, up to the maximum stable gain. The maximum stable gain is shown in the dashed red line. The impedance plots are shown from 50 – 2500 MHz, with markers placed at 0.25 – 2 GHz in 0.25 GHz increments.

S-Parameters ( $V_{device} = +5\text{ V}, I_{cc} = 100\text{ mA}, T = 25\text{ }^\circ\text{C}$ , unmatched 50 ohm system, calibrated to device leads)

Freq (MHz)	S11 (dB)	S11 (ang)	S21 (dB)	S21 (ang)	S12 (dB)	S12 (ang)	S22 (dB)	S22 (ang)
50	-5.21	-158.20	27.34	141.96	-32.11	16.29	-6.58	-132.30
100	-4.92	-170.08	25.32	144.95	-31.61	9.45	-7.49	-157.02
200	-4.72	-177.73	24.15	138.50	-31.37	6.88	-7.96	-171.72
400	-4.31	173.22	22.43	118.30	-30.63	7.98	-8.46	178.73
600	-4.10	163.26	20.91	100.56	-30.32	5.52	-8.81	174.06
800	-4.19	152.57	19.68	85.04	-29.78	2.65	-9.07	171.40
1000	-4.63	140.41	18.82	69.98	-29.74	-2.18	-9.12	169.67
1200	-5.64	126.43	18.35	54.85	-29.31	-11.26	-8.95	170.98
1400	-7.84	109.08	18.13	38.12	-29.86	-26.72	-8.04	175.14
1600	-13.52	83.27	18.12	17.54	-31.16	-52.52	-6.16	179.09
1800	-19.89	-85.25	17.78	-7.75	-34.99	-105.12	-3.43	176.43
2000	-6.99	-131.98	16.44	-37.07	-34.48	161.53	-1.36	164.56
2200	-2.84	-160.75	14.09	-64.48	-29.33	106.22	-0.69	149.67
2400	-1.18	177.40	10.90	-86.11	-26.64	75.52	-0.93	136.25
2500	-0.78	167.87	9.28	-96.04	-25.96	66.16	-1.28	130.16

Device S-parameters are available for download off of the website at: <http://www.wj.com>

### Application Circuit PC Board Layout



Circuit Board Material: .014" Getek, 4-layer, 1 oz copper, Microstrip line details: width = .026", spacing = .026"  
 The silk screen markers 'A', 'B', 'C', etc. and '1', '2', '3', etc. are used as placemarkers for the input and output tuning shunt capacitors.  
 The markers and vias are spaced in .050" increments.  
 C7/C8 are for 900 MHz matching circuits and C9/C12 are for 1900 MHz matching circuits.

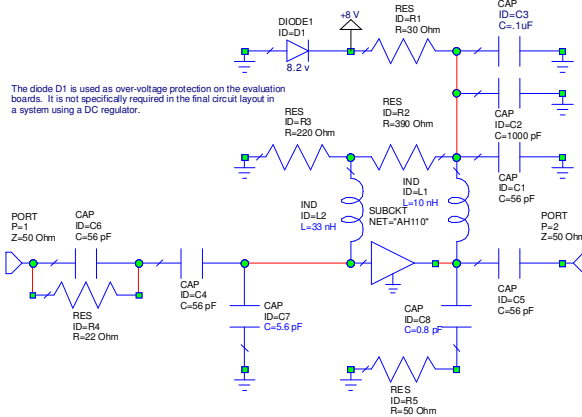
Specifications and information are subject to change without notice



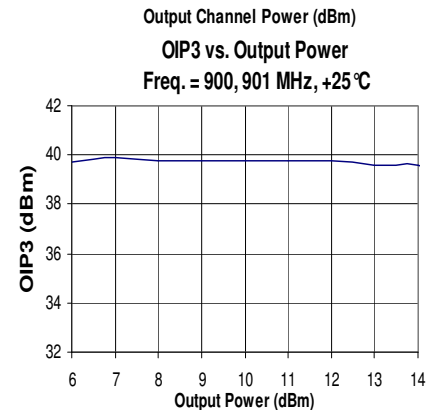
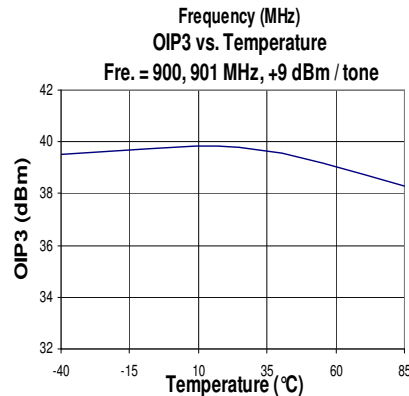
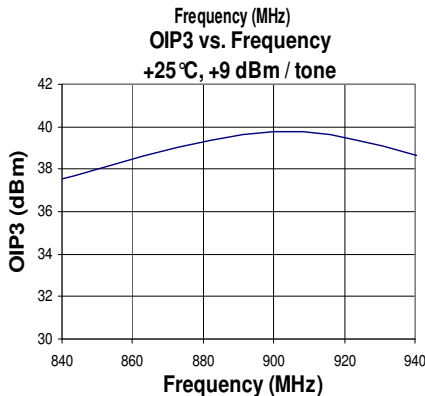
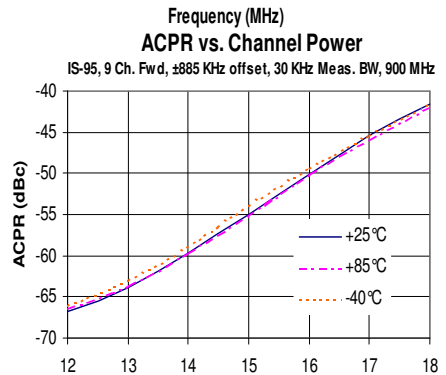
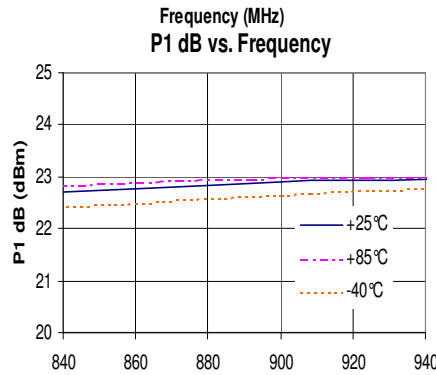
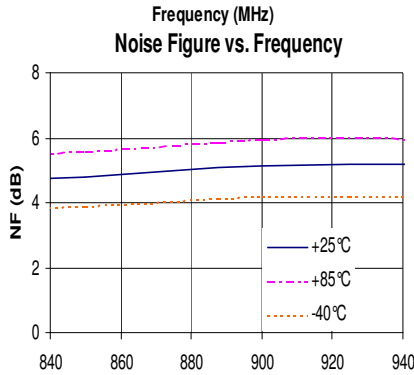
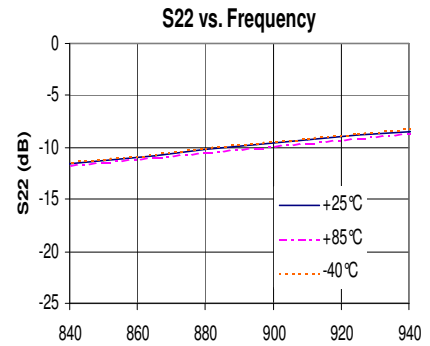
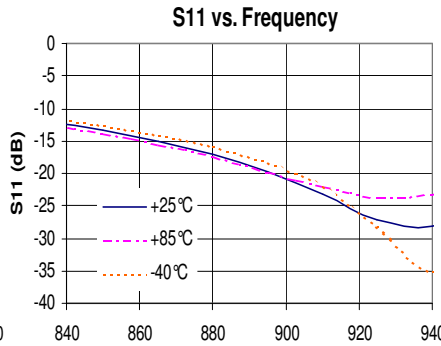
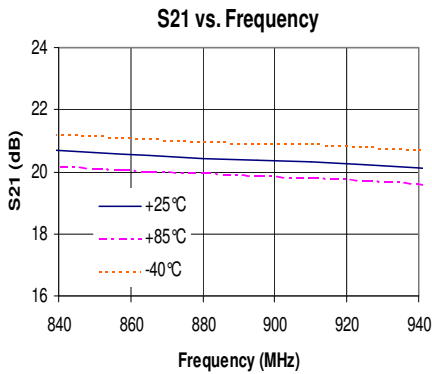
## 900 MHz Application Circuit (AH110-89PCB900)

### Typical RF Performance at 25 °C

Frequency	900 MHz
S21 – Gain	20.5 dB
S11 – Input Return Loss	-20 dB
S22 – Output Return Loss	-9.5 dB
Output P1dB	+22.8 dBm
Output IP3 (+9 dBm / tone, 1 MHz spacing)	+39 dBm
Channel Power (@-45 dBc ACPR, IS-95 9 channels fwd)	+17 dBm
Noise Figure	5 dB
Device Voltage	+5 V
Quiescent Current	100 mA



C7 is placed at silkscreen marker 'C' or center of component placed at 5.6 deg @ 900 MHz away from pin 1.  
C8 is placed at 22 deg. @ 900 MHz away from pin 3.



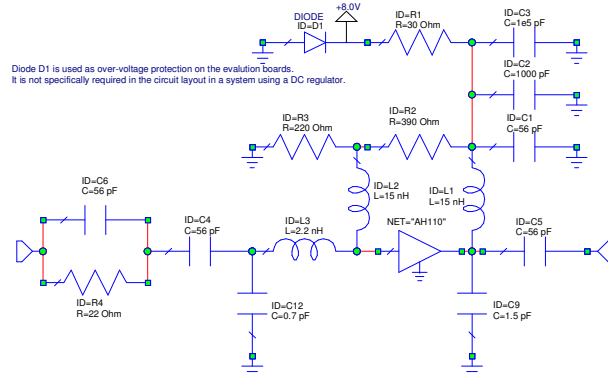
Specifications and information are subject to change without notice



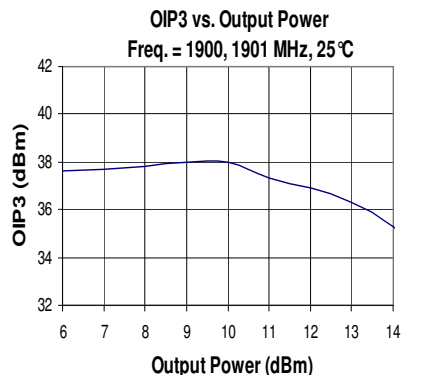
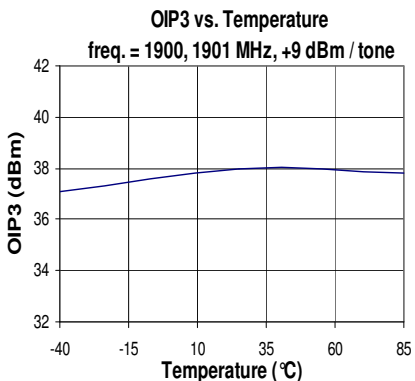
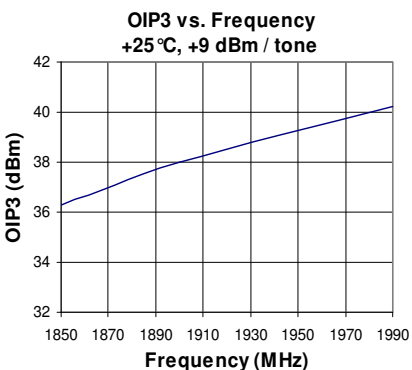
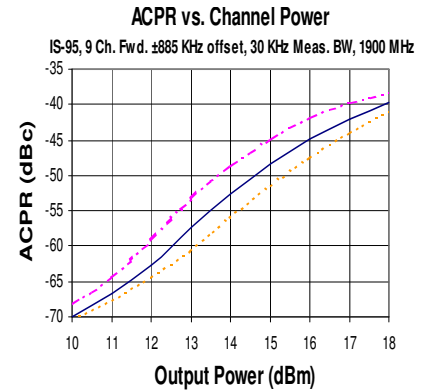
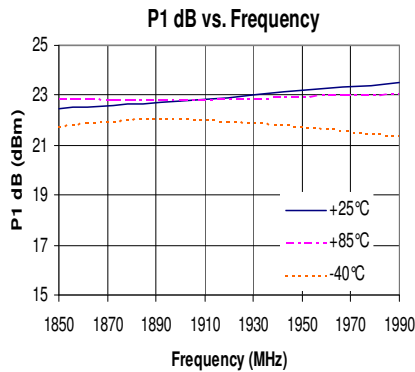
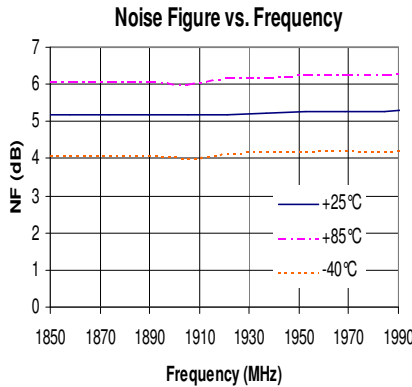
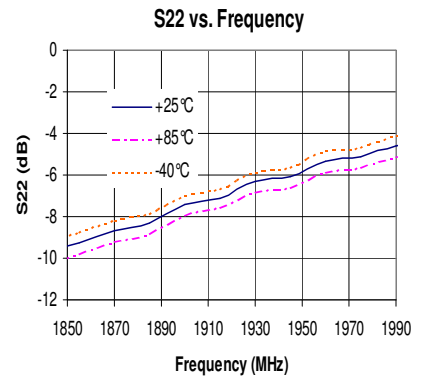
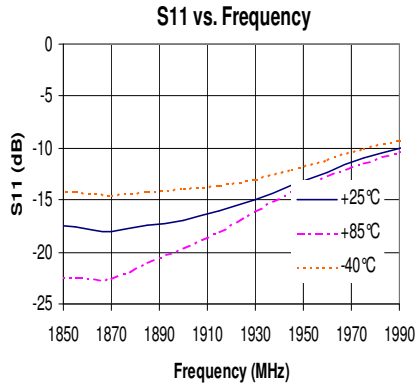
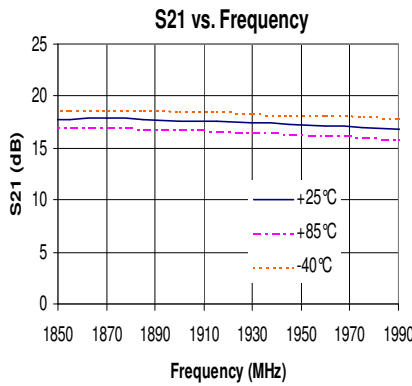
## 1900 MHz Application Circuit (AH110-89PCB1900)

### Typical RF Performance at 25 °C

Frequency	1900 MHz
S21 – Gain	17.6 dB
S11 – Input Return Loss	-17 dB
S22 – Output Return Loss	-7.4 dB
Output P1dB	+23 dBm
Output IP3 (+9 dBm / tone, 1 MHz spacing)	+38 dBm
Channel Power (@-45 dBc ACPR, IS-95 9 channels fwd)	+16 dBm
Noise Figure	5.2 dB
Device Voltage	+5 V
Quiescent Current	100 mA



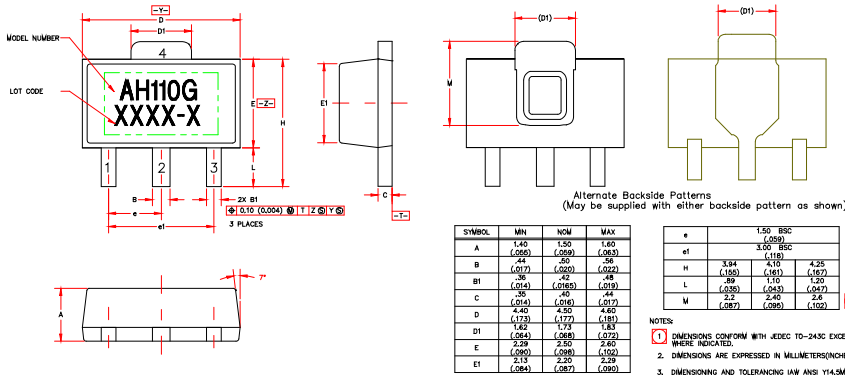
C12 is placed at silkscreen marker "1" or center of component placed at 43 deg. @ 1.9 GHz away from pin 1.  
C9 placed at silkscreen marker "8" or center of component placed at 39 deg. @ 1.9 GHz away from pin 3.



### AH110-89G Mechanical Information

This package is lead-free/Green/RoHS-compliant. The plating material on the leads is NiPdAu. It is compatible with both lead-free (maximum 260 °C reflow temperature) and leaded (maximum 245 °C reflow temperature) soldering processes.

#### Outline Drawing



#### Product Marking

The component will be marked with an "AH110G" designator with an alphanumeric lot code on the top surface of the package. The obsolete tin-lead package is marked with "AH110" designator followed by an alphanumeric lot code.

Tape and reel specifications for this part are located on the website in the "Application Notes" section.

#### MSL / ESD Rating

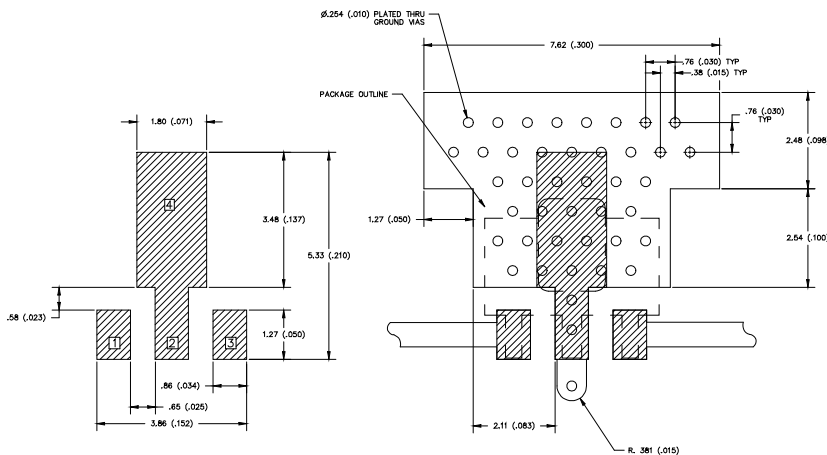


Caution! ESD sensitive device.

ESD Rating: Class 1A  
 Value: Passes between 250 and 500V  
 Test: Human Body Model (HBM)  
 Standard: JEDEC Standard JESD22-A114

MSL Rating: Level 3 at +260 °C convection reflow  
 Standard: JEDEC Standard J-STD-020

#### Land Pattern



#### Thermal Specifications

Parameter	Rating
Operating Case Temperature	-40 to +85 °C
Thermal Resistance, Rth <sup>(1)</sup>	128 °C / W
Junction Temperature, Tj <sup>(2)</sup>	149 °C

Notes:

- The thermal resistance is referenced from the junction-to-case at a case temperature of 85 °C.
- This corresponds to the typical biasing condition of +5V, 100 mA at an 85 °C case temperature. A minimum MTTF of 1 million hours is achieved for junction temperatures below 247 °C.

