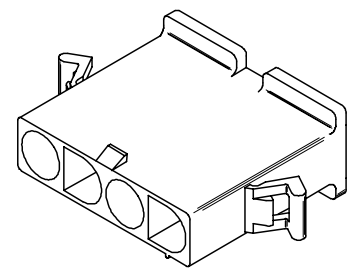
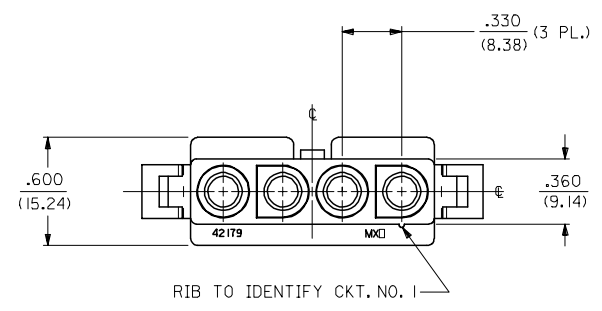
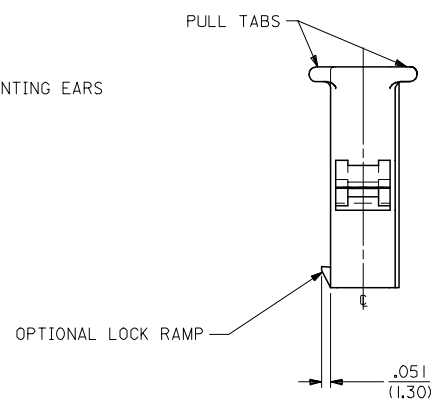
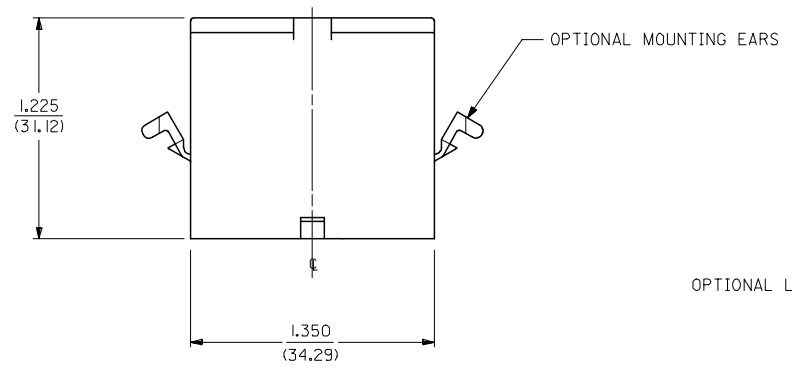
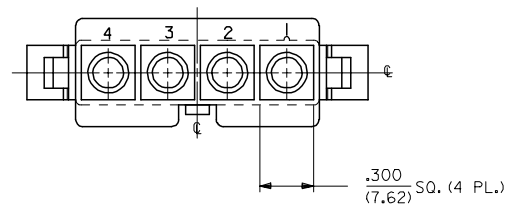


13 12 11 10 9 8 7 6 5 4 3 2 1

J
I
H
G
F
E
D
C
B
A

J
I
H
G
F
E
D
C
B
A



PLUG

UPDATE TITLE BLOCK EC NO. UCP2007-2085 DRAWN/PRD/DER 2007/04/13 CHK'D: AEL/HAG 2007/04/16 APPR: FSM/TH 2007/04/19 REV DESCRIPTION	QUALITY SYMBOLS	GENERAL TOLERANCES (UNLESS SPECIFIED)		DIMENSION STYLE IN/MM		SCALE 2:1	DESIGN UNITS INCH	THIRD ANGLE PROJECTION
	▽=0 ▽=0	mm	INCH	DRAWN BY	DATE	TITLE		
		4 PLACES ± .007	± .007	GEP	1988/09/21	.125/(3.17) HOUSINGS, PLUG AND RECEPTACLE, 4 CKT .330/(8.38) CTRS.		
		3 PLACES ± .010	± .010	RW	1988/09/21	MOLEX MOLEX INCORPORATED		
	2 PLACES ± 0.18	± .010			MATERIAL NO. DOCUMENT NO. SHEET NO.			
	1 PLACE ± 0.25	± .010			SD-42179-4* 2 OF 3			
		ANGULAR ±1/2°			THIS DRAWING CONTAINS INFORMATION THAT IS PROPRIETARY TO MOLEX INCORPORATED AND SHOULD NOT BE USED WITHOUT WRITTEN PERMISSION			
					SEE CHART			
					DRAFT WHERE APPLICABLE MUST REMAIN WITHIN DIMENSIONS			

12 11 10 9 8 7 6 5 4 3 2 1

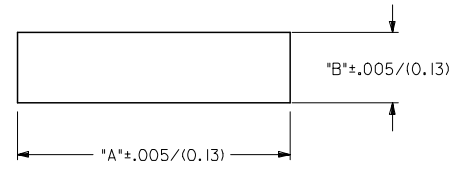
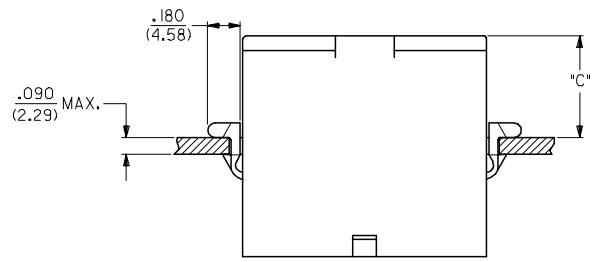
13 12 11 10 9 8 7 6 5 4 3 2 1

PLUG		
PART NO.	ENG. NO.	
03-12-2046	42179-4P1	
03-12-2045	42179-4P	
03-12-7042	42179-4PYW	
03-12-7043	42179-4PIYW	
03-12-7040	42179-4PBK	
03-12-7041	42179-4PIBK	
03-12-7044	42179-4PIRD	OBSOLETE
03-12-7045	42179-4P2	

RECEPTACLE	
PART NO.	ENG. NO.
03-12-1046	42179-4R1
03-12-6040	42179-4RIBK
03-12-6041	42179-4RIYW

LEGEND:
42179-4***

CIRCUIT SIZE: _____
HOUSING TYPE: _____
P = PLUG
R = RECEPTACLE
FEATURE OPTIONS: _____
BLANK = WITH MOUNTING EARS (PLUG ONLY)
1 = WITHOUT MOUNTING EARS
2 = WITH MOUNTING EARS (PLUG ONLY);
WITHOUT LOCKING RAMP
COLOR: _____
BLANK = 94V-2; TRANSLUCENT NATURAL COLOR
AM=AMBER BK=BLACK BU=BLUE
BN=BROWN GY=GRAY GN=GREEN
OR=ORANGE RD=RED YW=YELLOW



RECOMMENDED PANEL OPENING

HOUSING	DIM. "A"	DIM. "B"	DIM. "C"
PLUG	1.511/(38.38)	.440/(11.18)	.57/(14.5)

- NOTES:
1. MATERIAL: NYLON (PA), UL94V-2, COLOR-NATURAL (TRANSLUCENT)
 2. FINISH: NONE
 3. PRODUCT SPECIFICATION: NONE
 4. PACKAGING SPECIFICATION: PK-42179-001
 5. PART ACCEPTS A MAXIMUM .250/(6.35) INSULATION DIAMETER WIRE.
 6. FOR USE WITH ALL MOLEX .125/(3.17) DIAMETER SERIES TERMINALS EXCEPT THE 1219/1220 SERIES.
 7. PARTS CONFORM TO CLASS B REQUIREMENT OF COSMETIC SPECIFICATION PS-45499-002

OBS. P/N 03-12-7044 EC NO. UCP2007-2085 DRAWN/PRD/DR 2007/04/13 CHKD: AEL/HAG 2007/04/16 APPR: FSM/TH 2007/04/19	QUALITY SYMBOLS ▽=0 ▽=0	GENERAL TOLERANCES (UNLESS SPECIFIED)	DIMENSION STYLE IN/MM	SCALE 2:1	DESIGN UNITS INCH	THIRD ANGLE PROJECTION
		4 PLACES ± --- ± --- 3 PLACES ± --- ± .007 2 PLACES ± 0.18 ± .010 1 PLACE ± 0.25 ± --- ANGULAR ± 1 °	DRAWN BY GEP	DATE 1988/09/21	CHECKED BY RW	DATE 1988/09/21
DRAFT WHERE APPLICABLE MUST REMAIN WITHIN DIMENSIONS		SEE CHART		.125/(3.17) HOUSING, PLUG AND RECEPTACLE, 4 CKT .330/(8.38) CTRS.		MATERIAL NO. SD-42179-4*
THIS DRAWING CONTAINS INFORMATION THAT IS PROPRIETARY TO MOLEX INCORPORATED AND SHOULD NOT BE USED WITHOUT WRITTEN PERMISSION		SIZE C		DOCUMENT NO. SD-42179-4*		SHEET NO. 3 OF 3