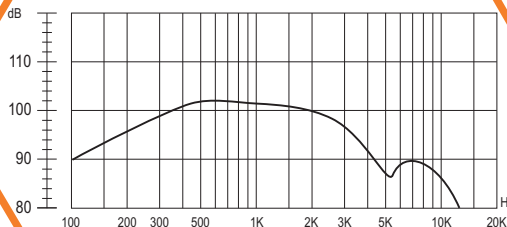
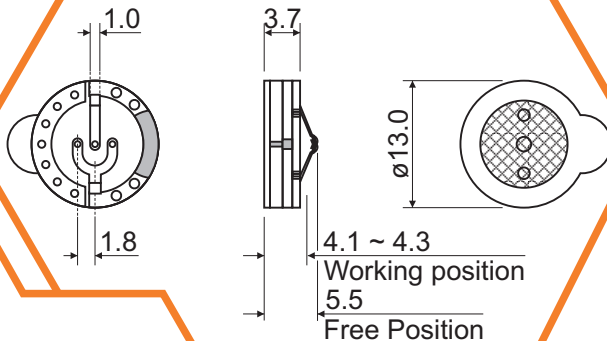
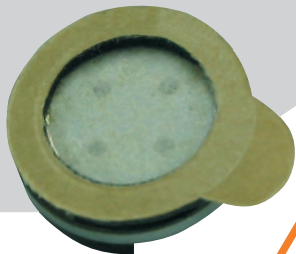


SoniCrest SPEAKER SOUND GENERATORS

HSR13G



Dimension

Unit : mm
Tolerance : ± 0.3 mm

Frequency Response

Applied Voltage : 1mW, Sine Wave
Based on IEC-R318 Standard

- **Specification** (all data taken at 25°C unless otherwise specified)

Coil Impedance (Ω)	Rated Power (mW)	Maximum Input Power (mW)	★Sensitivity at 1kHz (dB)	★Frequency Range (Hz)	Total Harmonic Distortion (THD)	Operating Temperature (°C)	Storage Temperature (°C)
32 \pm 20%	10	20	101 \pm 3	300 ~ 3400	< 5%	-20 ~ +85	-20 ~ +85

HSR13G-32

The specification are only for 32 Ω version. Specification for other impedance is available upon request.
★Value Applied 1mW Input Power and Based on IEC-R318 Standard.