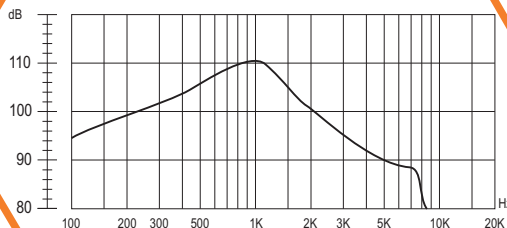
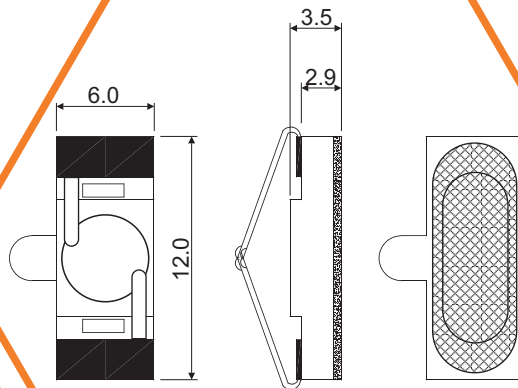
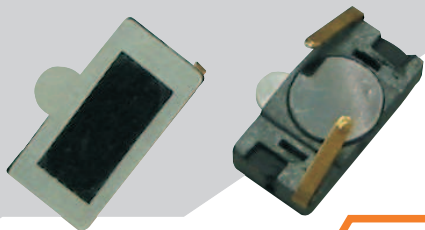


SoniCrest SPEAKER SOUND GENERATORS

HSR0612A



Dimension

Unit : mm
Tolerance : ± 0.3 mm

Frequency Response

Applied Voltage : 100mV, Sine Wave
Based on IEC-R318 Standard

- **Specification** (all data taken at 25°C unless otherwise specified)

| Coil Impedance (Ω) | Rated Power (mW) | Maximum Input Power (mW) | ★Sensitivity at 1kHz (dB) | ★Frequency Range (Hz) | Total Harmonic Distortion (THD) | Operating Temperature (°C) | Storage Temperature (°C) |
|-----------------------------|------------------|--------------------------|---------------------------|-----------------------|---------------------------------|----------------------------|--------------------------|
| 32 \pm 15% | 10 | 20 | 111 \pm 3 | 300 ~ 3400 | < 10% | -30 ~ +70 | -40 ~ +80 |

HSR0612A-32

The specification are only for 32 Ω version. Specification for other impedance is available upon request.
★Value Applied 100mV Input Power and Based on IEC-R318 Standard.