

**LB1837M**

Low-voltage/Low-saturation Bidirectional Constant-Voltage Regulated Motor Driver

Overview

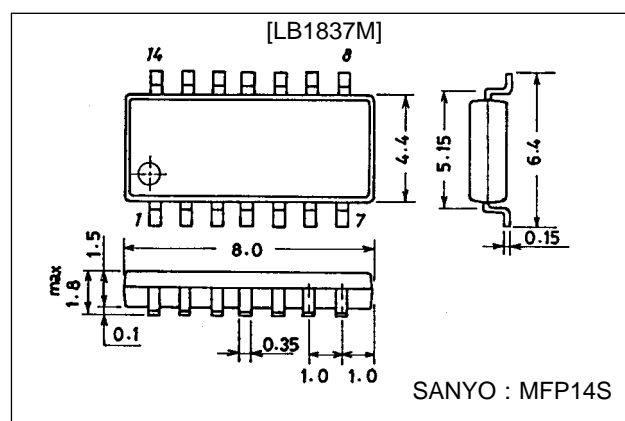
The LB1837M is a low-voltage, low-saturation, two-channel motor driver with a bidirectional braking function that provides constant-voltage regulated output for bidirectional operation. The design of the LB1837M is ideal for video equipment, cameras, and other portable equipment.

Features

- Wide operating voltage range (3.0 to 9.0 V).
- Low saturation voltage
 $V_O(\text{sat}) = 0.40 \text{ V}$ at $I_O = 200 \text{ mA}$.
- Consumes almost no current in standby mode (0.1 μA or less).
- Permits setting of bidirectional constant-voltage regulated value.
- Built-in reference voltage coupled to input.
- Brake function built in.
- Compact MFP14S package.

Package Dimensions

unit: mm

3111-MFP14S

Specifications

Absolute Maximum Ratings at $T_a = 25 \text{ }^\circ\text{C}$

Parameter	Symbol	Conditions	Ratings	Unit
Maximum supply voltage	$V_{CC \text{ max}}$		10.5	V
Output current	$I_m \text{ max}$		250	mA
Applied input voltage	V_{IN}		-0.3 to +10	V
Allowable power dissipation	$P_d \text{ max}$	With board (30 x 30 x 1.5 mm ³)	800	mW
Operating temperature	T_{opr}		-20 to +80	$^\circ\text{C}$
Storage temperature	T_{stg}		-40 to +125	$^\circ\text{C}$

Allowable Operating Ranges at $T_a = 25 \text{ }^\circ\text{C}$

Parameter	Symbol	Conditions	Ratings	Unit
Supply voltage	V_{CC}		3.0 to 9.0	V
Input [H] voltage	V_{IH}		3.0 to 9.0	V
Input [L] voltage	V_{IL}		-0.3 to +0.7	V
Control voltage	V_C		0.2 to 6.0	V

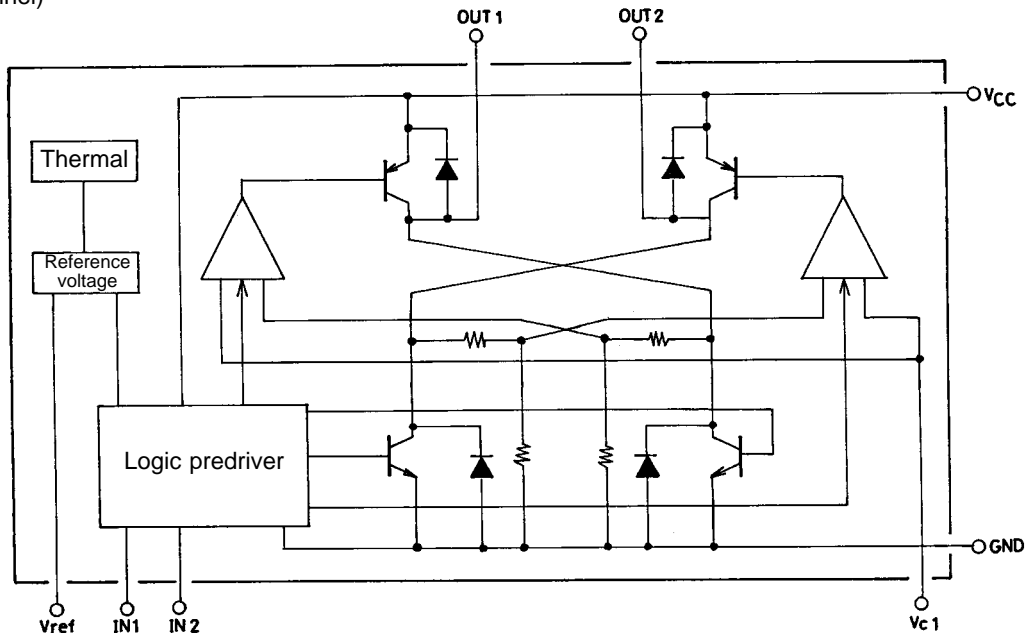
LB1837M

Electrical Characteristics at $T_a = 25\text{ }^\circ\text{C}$, $V_{CC} = 6\text{ V}$

Parameter	Symbol	Conditions	min	typ	max	Unit
Supply current	I_{CC0}	During standby		0.1	10	μA
	I_{CC1}	(For one channel) During bidirectional operation during control, load open		2	3	mA
	I_{CC2}	(For one channel) During bidirectional operation during saturation, load open		3	5	mA
	I_{CC3}	During braking (for one channel)		6.5	9	mA
Output saturation voltage	V_{sat1}	$I_O = 100\text{ mA}$ (upper side + lower side)		0.3	0.4	V
	V_{sat2}	$I_O = 200\text{ mA}$ (upper side + lower side)		0.4	0.55	V
	V_{sat3}	$I_O = 200\text{ mA}$ (lower side)	0.07	0.10	0.15	V
Reference voltage	V_{ref}	$I_{vref} = 1\text{ mA}$	1.85	2.0	2.15	V
Output voltage voltage characteristics	$\frac{\Delta V_O}{\Delta V_{CC}}$	$V_O = 5\text{ V}$, $V_{CC} = 5.5\text{ to }9\text{ V}$, $I_O = 100\text{ mA}$			20	mV
Output voltage current characteristics	$\frac{\Delta V_O}{\Delta I_{CC}}$	$V_O = 5\text{ V}$, $V_{CC} = 6\text{ V}$, $I_O = 10\text{ to }100\text{ mA}$			50	mV
Input current	I_{IN}	$V_{IN} = 5\text{ V}$		90	150	μA
Output voltage	V_O	Between OUT and GND	$2.5 \times V_C$		$2.7 \times V_C$	V

Equivalent Circuit Block Diagram

(For one channel)

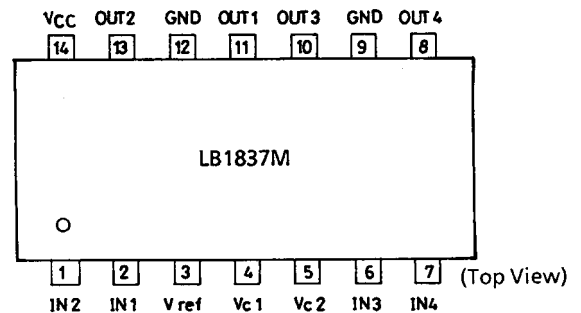


Truth Table

Input		Output		Mode
IN 1/3	IN 2/4	OUT 1/3	OUT 2/4	
L	L	OFF	OFF	Standby
H	L	H	L	Constant-voltage regulated forward operation
L	H	L	H	Constant-voltage regulated reverse operation
H	H	L	L	Brake

The constant-voltage regulated output V_O (= voltage between H side output and GND) is controlled by $2.5 \times V_C$. The output is in the saturated state when the V_C input range is $0.2\text{ to }6\text{ V}$ and $V_O \cong V_{CC}$.

Pin Assignment



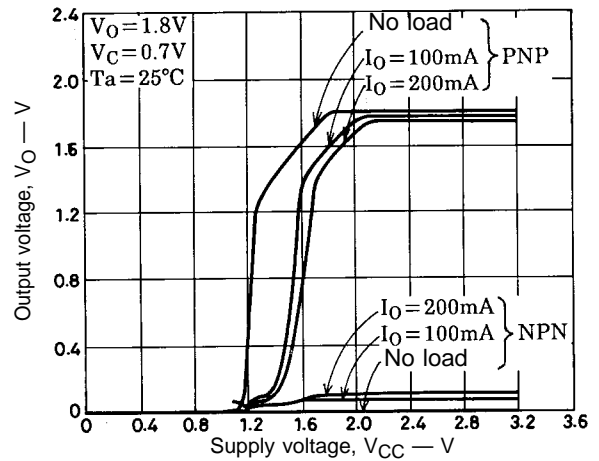
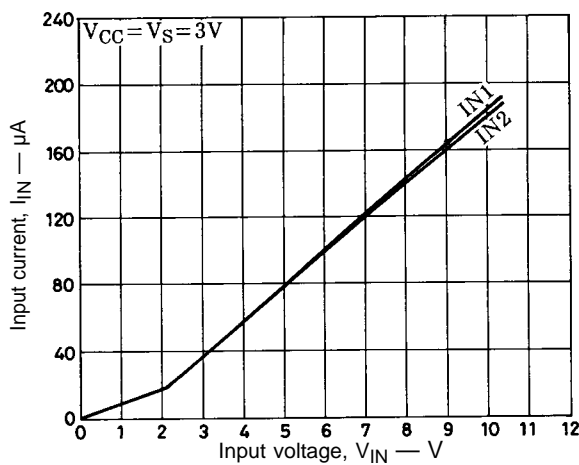
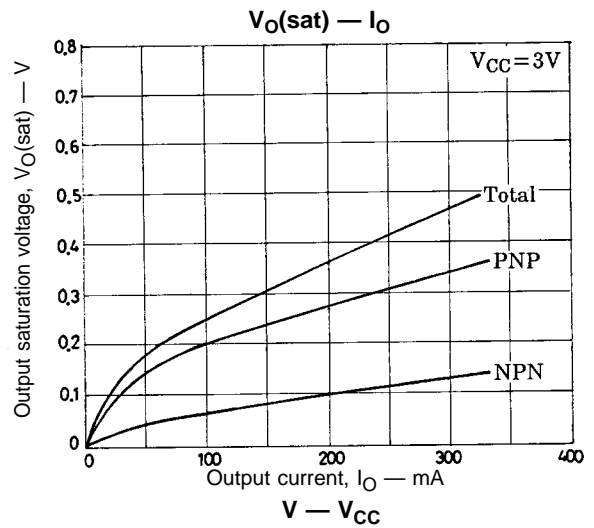
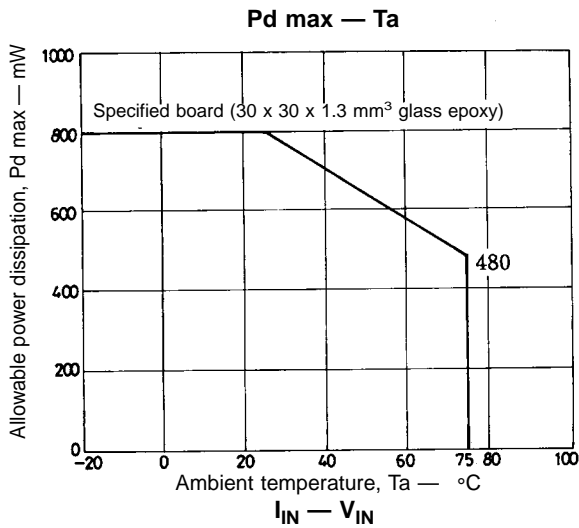
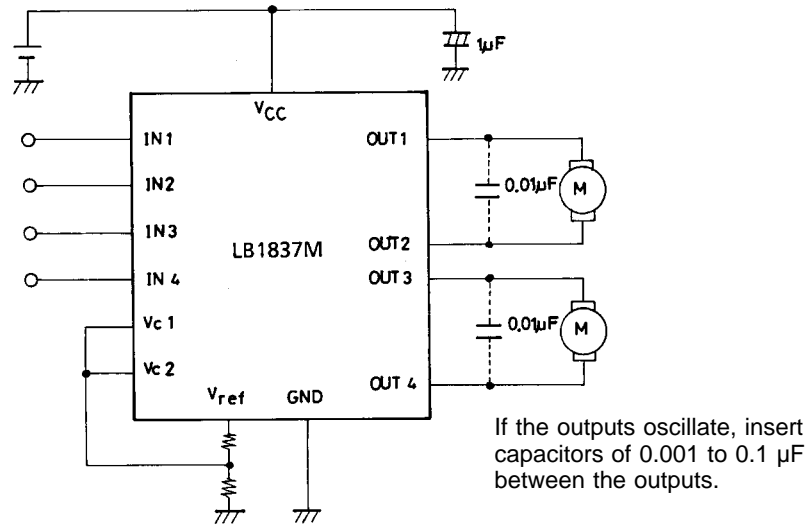
Note: Both GND pins must be grounded.

Pin Functions

Pin No.	Symbol	Equivalent Circuit Diagram	Pin Function
14	V _{CC}		Power supply pin for output and controller.
9 12	GND		GND pins for output and controller. Both must be grounded.
1 2 6 7	IN2 IN1 IN3 IN4		<p>Input pins that determine the excitation of the outputs. IN1 and IN2 control outputs OUT1 and OUT2; IN3 and IN4 control outputs OUT3 and OUT4. When inputs IN1 through IN4 are all low or open, the device goes into standby mode and current consumption drops to 10 μA or less. L: -0.3 to +0.7 V H: 3.0 to 9.0 V There are no limitations on the magnitude relationships between the V_{CC} and V_{IN} supply voltages.</p>
8 10 11 13	OUT4 OUT3 OUT1 OUT2		<p>Output pins. Have built-in spark killer diodes. Braking provides short braking that turns on the lower transistor.</p>
3	V _{ref}		Reference voltage (= 2.0 V).
4 5	V _{C1} V _{C2}		<p>Input pins that determine the constant-voltage regulated output level. The constant-voltage regulated output V_O (= voltage between H side output and GND) is controlled by V_O = 2.5 x V_C. There are no limitations on the magnitude relationships between the V_{CC}, V_{C1} and V_{C2} supply voltages.</p>

LB1837M

Sample Application Circuit



- No products described or contained herein are intended for use in surgical implants, life-support systems, aerospace equipment, nuclear power control systems, vehicles, disaster/crime-prevention equipment and the like, the failure of which may directly or indirectly cause injury, death or property loss.
- Anyone purchasing any products described or contained herein for an above-mentioned use shall:
 - ① Accept full responsibility and indemnify and defend SANYO ELECTRIC CO., LTD., its affiliates, subsidiaries and distributors and all their officers and employees, jointly and severally, against any and all claims and litigation and all damages, cost and expenses associated with such use:
 - ② Not impose any responsibility for any fault or negligence which may be cited in any such claim or litigation on SANYO ELECTRIC CO., LTD., its affiliates, subsidiaries and distributors or any of their officers and employees jointly or severally.
- Information (including circuit diagrams and circuit parameters) herein is for example only; it is not guaranteed for volume production. SANYO believes information herein is accurate and reliable, but no guarantees are made or implied regarding its use or any infringements of intellectual property rights or other rights of third parties.

This catalog provides information as of June, 1995. Specifications and information herein are subject to change without notice.