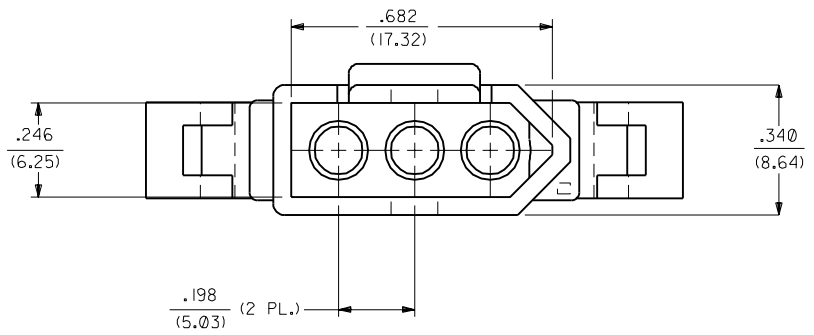
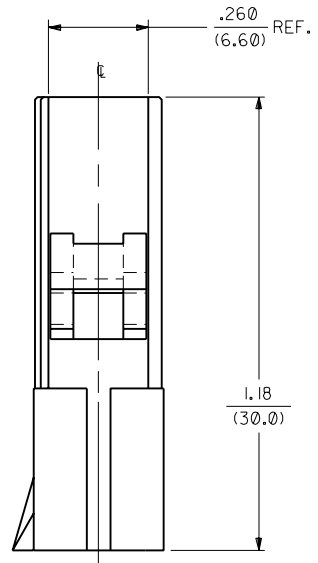
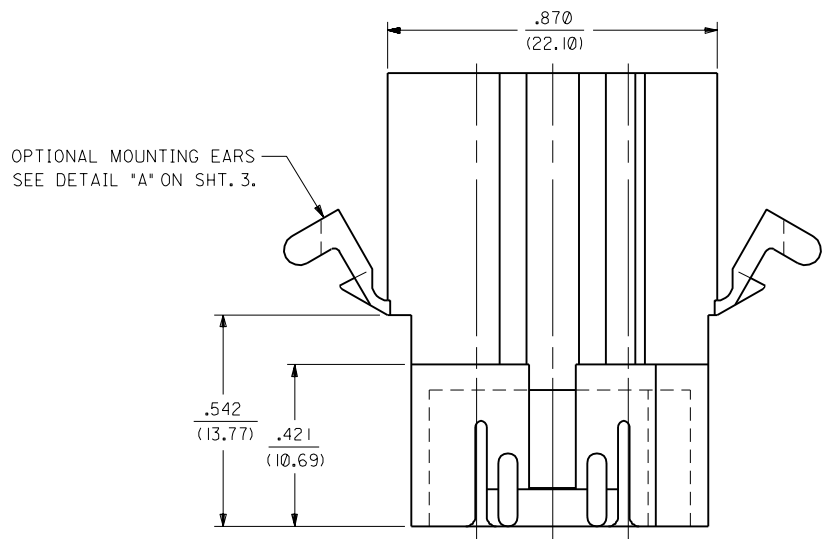


RIB FOR CIRCUIT NO. IDENTIFICATION



PLUG HOUSING

F	3	F
E	2	E
F	1	F
MFG. SH.	REV.	LTR.
		REVISIONS

F	OBSOLETE P/N UCP2002-0270 COMERCI 01/10/11
E	REVISED PER ECN #U1 1847 9-6-91 RW
D	REVISED PER ECR #U9 0353 08-01-89 RW
C	REVISED PER ECR #U0 0163 KBW 02-28-89 RW
B	REV. PER ECR U8 1350 GEP 4-15-88 RW
A	REV. & FINAL REL. PER ERO 25890 GEP 1-22-88 RW
I	REV. AND REDRAWN PER ERO 25883 GEP 12-22-87 RW

DIMENSIONS SHOWN (METRIC) INCH	
UNLESS OTHERWISE SPECIFIED TOLERANCES ANGULAR $\pm .005$ (°)	
3 PLACE	$\pm .010$
2 PLACE	$\pm .014$
1 PLACE	$\pm .036$
DRAFT WHERE APPLICABLE MUST REMAIN WITHIN DIMENSIONS	
DRWG. BY: GEP	CHK'D. BY: RW
APP'D. BY: RAS	SCALE: 4 : 1

REVISIONS ONLY ON CAD SYSTEM

TITLE: .093/(2.36) HOUSING, PLUG AND RECEPTACLE, 3 CIRCUIT

MOLEX INCORPORATED  
1151E.ILL. 60532 U.S.A.

PART NO. 42191-3  
SHEET NO. 1 OF 3  
DATE 12/22/87

SEE CHART SD-42191-3

FILE NAME: S421913X1.DWG  
THIS DRAWING CONTAINS INFORMATION THAT IS PROPRIETARY TO MOLEX INC. AND SHOULD NOT BE USED WITHOUT WRITTEN PERMISSION.

DRWG. NO. DIV. CP

PLUG		
PART NO.	ENG. NO.	
03-09-2170	42191-3P	<b>OBSOLETE</b>
03-09-2171	42191-3P1	

RECEPTACLE		
PART NO.	ENG. NO.	
03-09-1170	42191-3R	<b>OBSOLETE</b>
03-09-1171	42191-3R1	
03-09-1172	42191-3R2	<b>OBSOLETE</b>
03-09-1173	42191-3R3	

**LEGEND: PLUG**

42191-3P\*\*\*

CIRCUIT SIZE

P = PLUG

BLANK = WITH PREBENT EARS  
I = WITHOUT EARS

BLANK = NATURAL COLOR  
A=AMBER B=BLACK C=BLUE  
D=BROWN E=GRAY F=GREEN  
G=ORANGE H=RED J=YELLOW

BLANK = MATERIAL CODE A

**LEGEND: RECEPTACLE**

42191-3R\*\*\*

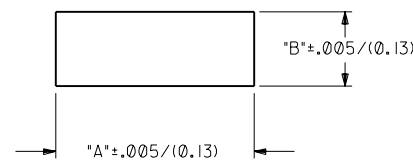
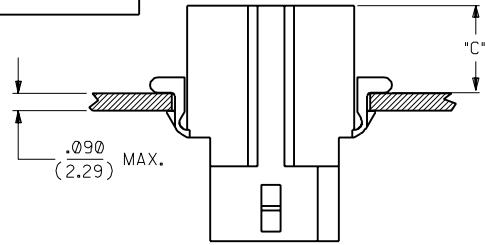
CIRCUIT SIZE

R = RECEPTACLE

BLANK = WITH PREBENT EARS, POSITIVE LOCK  
1 = WITHOUT EARS, POSITIVE LOCK  
2 = WITH PREBENT EARS, PASSIVE LOCK  
3 = WITHOUT EARS, PASSIVE LOCK

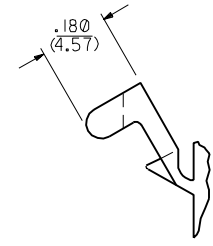
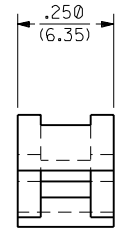
BLANK = NATURAL COLOR  
A=AMBER B=BLACK C=BLUE  
D=BROWN E=GRAY F=GREEN  
G=ORANGE H=RED J=YELLOW

BLANK = MATERIAL CODE A



RECOMMENDED PANEL MOUNTING HOLE

HOUSING	DIM. "A"	DIM. "B"	DIM. "C"
PLUG	1.025/(26.03)	.370/(9.40)	.42/(10.7)
RECEPTACLE	1.025/(26.03)	.370/(9.40)	.46/(11.7)



**DETAIL "A"**

PREBENT MOUNTING EAR  
SCALE 4:1

**NOTES:**

- MATERIAL CODES:  
A = NYLON TYPE 6/6, 94V-2
- ALL THREE CIRCUITS ACCEPT DOUBLE WIRE CRIMPS OF 18 AWG MAXIMUM. CIRCUIT NO'S. 1 AND 3 WILL EACH ALLOW ONE OF THE WIRES TO HAVE AN OVERSIZE INSULATION THICKNESS OF .062/(1.57). CIRCUIT NO. 2 REQUIRES THAT BOTH WIRES NOT EXCEED AN INSULATION THICKNESS OF .031/(0.79).
- LOCK RAMP STYLE IS OPTIONAL ON THIS SIDE OF PART. CHOICE OF EITHER A POSITIVE LOCK RAMP OR A PASSIVE LOCK RAMP IS AVAILABLE.

LTR.	REVISIONS	LTR.	REVISIONS

DIMENSIONS SHOWN (METRIC) INCH	
UNLESS OTHERWISE SPECIFIED TOLERANCES ANGULAR ± 10°	
3 PLACE ± .010	---
2 PLACE ± .014	± 0.25
1 PLACE ---	± 0.36
DRAFT WHERE APPLICABLE MUST REMAIN WITHIN DIMENSIONS	
DRWG. BY: GEP	CHK'D. BY: RW
APP'D. BY: RAS	SCALE: --:--

▽ = 0    ▼ = 0    REVISE ONLY ON CAD SYSTEM

TITLE: .093/(2.36) HOUSINGS; PLUG AND RECEPTACLE; 3 CIRCUIT

MOLEX INCORPORATED U.S.A. SHEET NO. 3 DATE 12/23/87

FILE NAME: S421913X3.DWG

THIS DRAWING CONTAINS INFORMATION THAT IS PROPRIETARY TO MOLEX INC. AND SHOULD NOT BE USED WITHOUT WRITTEN PERMISSION.