

**Memory Card Connectors Compatible with PCMCIA, Release 2.01**

**Features:**

- Meets PCMCIA (Release 2.01) / JEIDA Standards.
- .050" (1.27mm) centerline spacing.
- Receptacle mates with .017 round pins; closed entry design.
- Selective pin lengths and pin loading per PCMCIA/JEIDA spec.
- Polarized guide rails.
- Locating feature for exact termination alignment (header only).
- Low insertion force receptacle.
- SMT and through-board available.
- Vapor phase and infrared compatible.

**Contacts:**

Receptables: BeCu  
 Headers: Copper Alloy

**Plating:**

Gold on contact area only over  
 Nickel on entire contact area.  
 Tin Lead alloy tails

**Body Material:**

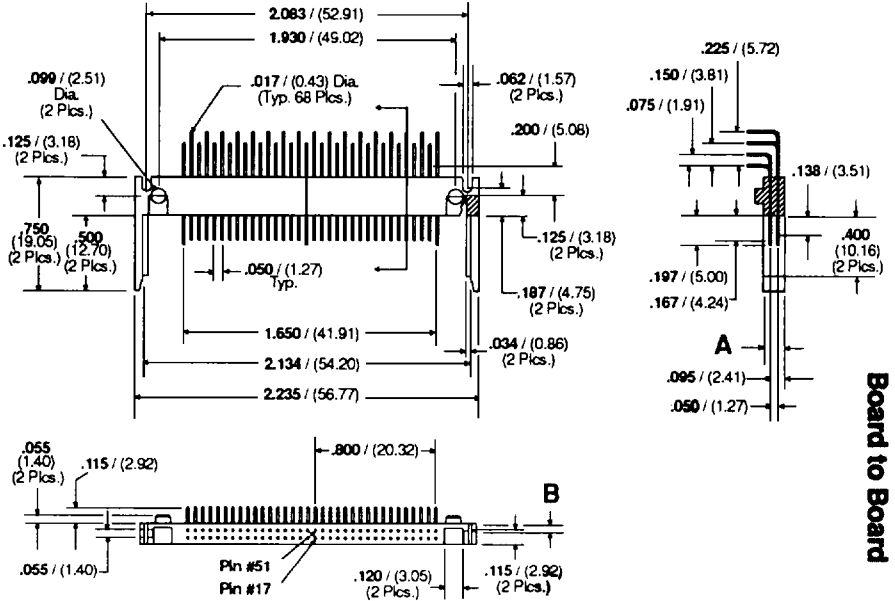
Hi-Temp housings:  
 GF LCP, U.L. Rated 94V-0

**Performance:**

- Current rating = 1 amp max.
- Dielectric withstanding = 500 VAC RMS min.
- Insulation resistance = 1,000 megohms min.
- Contact resistance = 30 milliohms max.

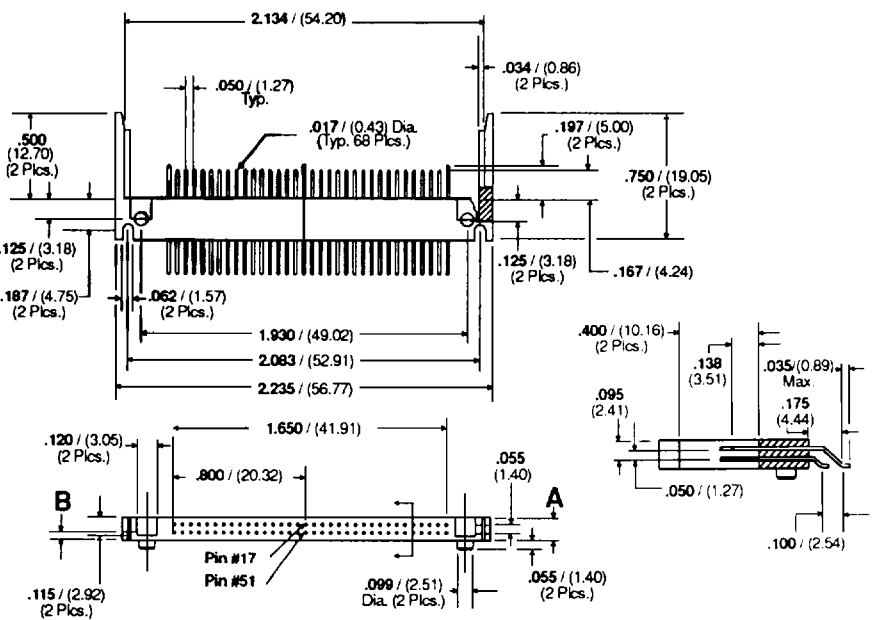
**Bottom Mount  
 Thru-Hole and Surface  
 Mount Headers Available**

**Top Mount Thru Hole Header**

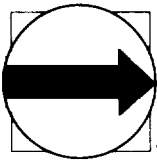


Part Number	A	B
PD068-458G	.142 (3.61)	.047 (1.19)
PD068-462G	.175 (4.45)	.080 (2.03)

**Top Mount Surface Mount Header**

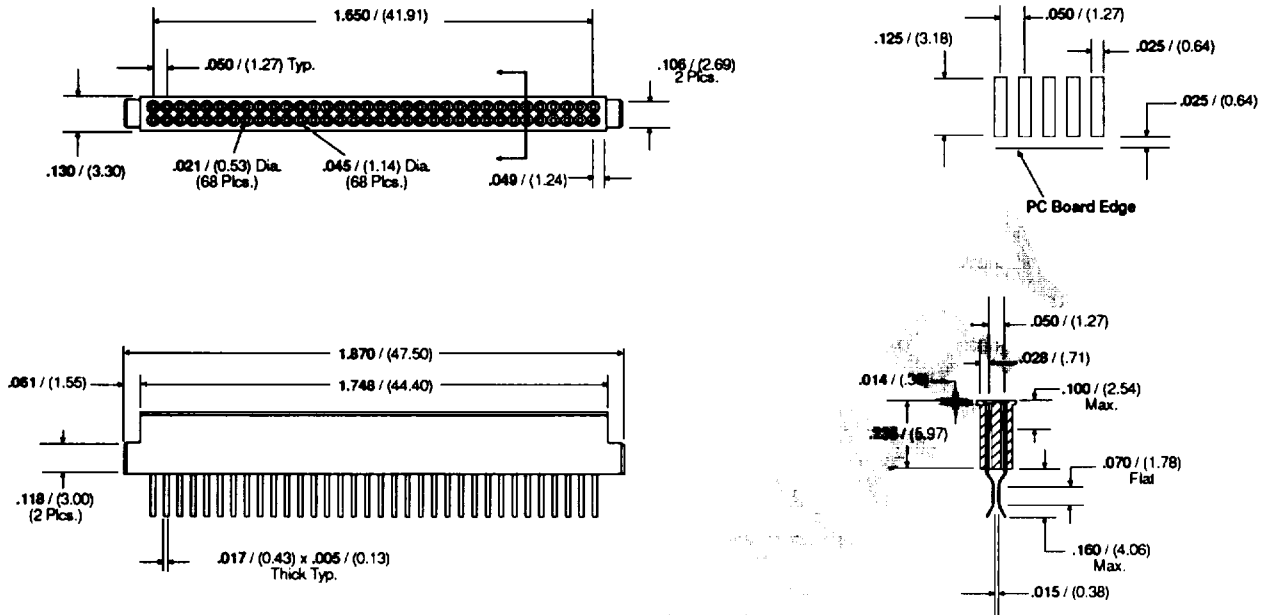


Part Number	A	B
PD068-456G	.142 (3.61)	.047 (1.19)
PD068-460G	.175 (4.45)	.080 (2.03)

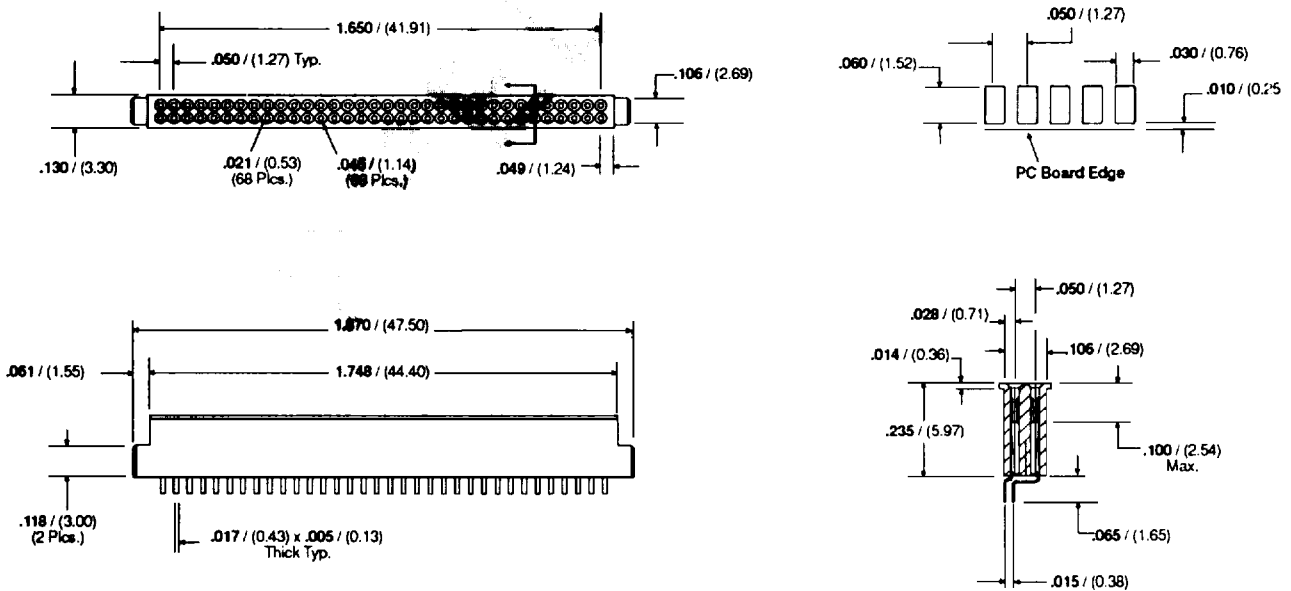


## Memory Card Connectors Compatible with PCMCIA, Release 2.01

### Card Extender - Part # BD068-464G 68 Position



### Offset Straddle Mount - Part # BD068-466G 68 Position



See previous page for features and material information.