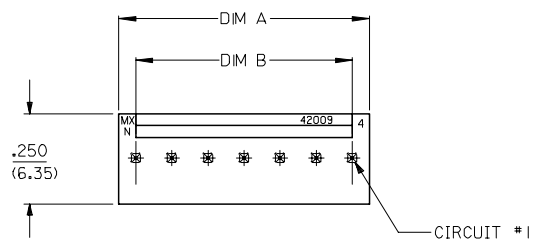


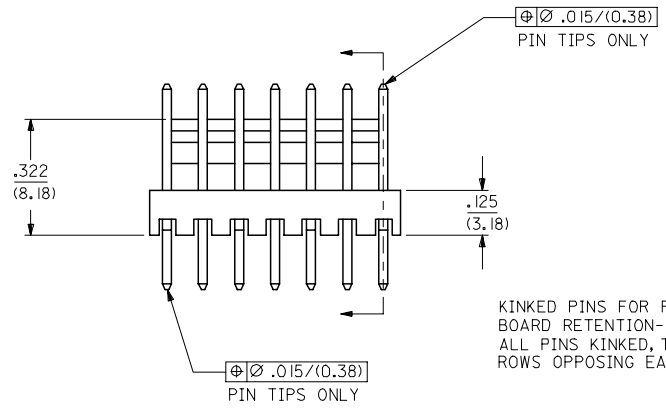
13 12 11 10 9 8 7 6 5 4 3 2 1



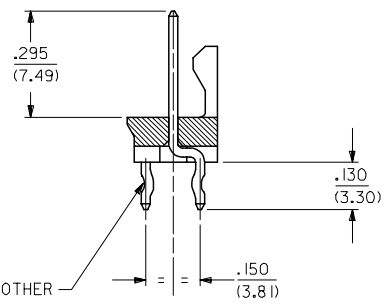
- NOTES
1. MATERIAL: INSULATOR - POLYESTER, GLASS FILLED
PIN - BRASS
 2. FINISH: TIN: .000200/(0.00508) MIN.,
OVERALL COPPER UNDERPLATE: .000100/(0.00254) MIN.
 3. PRODUCT SPECIFICATION: PS-10-07
 4. BULK PACK PER PK-43009-001
 5. THIS PART CONFORMS TO CLASS B REQUIREMENTS OF
COSMETIC SPECIFICATION PS-45499-002.

ENG. NO. DESIGNATION:
A-42009- N * - **
CKT. SIZE
VOID PIN DESIGNATION
A= #1 PIN
B= #2 PIN
C= #3 PIN
ECT.

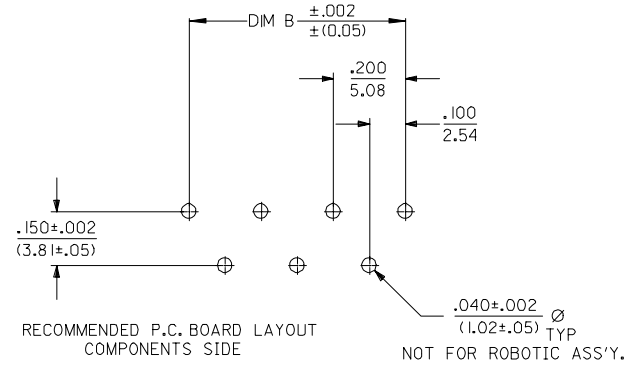
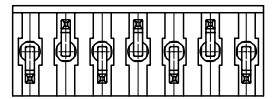
MOLDED COLOR:
BLANK = NATURAL
A = BLUE
E = GREEN
R = RED
H = BLACK



KINKED PINS FOR P.C.
BOARD RETENTION-
ALL PINS KINKED, TWO
ROWS OPPOSING EACH OTHER



10	.995/(25.27)	.900/(22.86)
9	.895/(22.73)	.800/(20.32)
8	.795/(20.19)	.700/(17.78)
7	.695/(17.65)	.600/(15.24)
6	.595/(15.11)	.500/(12.70)
5	.495/(12.57)	.400/(10.16)
4	.395/(10.03)	.300/(7.62)
3	.295/(7.49)	.200/(5.08)
2	.195/(4.95)	.100/(2.54)
CKT SIZE	DIM A	DIM B



3	I1
2	H1
1	J1
SHT. REV.	

ADD TOL. BLOCK EC NO: UCP2007-1476 DRAWN/PR/DER 2006/12/19 CHKD:ADERR 2006/12/19 APPR:FSM TH 2006/12/20 J1 REV	QUALITY SYMBOLS $\nabla=0$ $\nabla=0$	GENERAL TOLERANCES (UNLESS SPECIFIED)		DIMENSION STYLE IN/MM		SCALE 1:1	DESIGN UNITS INCH	THIRD ANGLE PROJECTION
		4 PLACES \pm --- \pm --- 3 PLACES \pm --- $\pm .010$ 2 PLACES ± 0.25 $\pm .014$ 1 PLACE ± 0.36 \pm ---	DRAWN BY EDGLEY	DATE 1986/11/29	TITLE WAFER, FRICTION LOCK ASSEMBLY			
		ANGULAR $\pm 1/2^\circ$	CHECKED BY EDGLEY	DATE 1986/11/29	MOLEX INCORPORATED			
		DRAFT WHERE APPLICABLE MUST REMAIN WITHIN DIMENSIONS	APPROVED BY EDGLEY	DATE 1986/11/29	MATERIAL NO. SEE CHART	DOCUMENT NO. SDA-42009-*	SHEET NO. 1 OF 3	

12 11 10 9 8 7 6 5 4 3 2 1

13		12		11		10		9		8		7		6		5		4		3		2		1																											
A-42009-N													A-42009-NA													A-42009-NE													A-42009-NH												
PART NO.	ENG. NO.	VOID CKT.	PART NO.	ENG. NO.	VOID CKT.	PART NO.	ENG. NO.	VOID CKT.	PART NO.	ENG. NO.	VOID CKT.	PART NO.	ENG. NO.	VOID CKT.	PART NO.	ENG. NO.	VOID CKT.	PART NO.	ENG. NO.	VOID CKT.	PART NO.	ENG. NO.	VOID CKT.	PART NO.	ENG. NO.	VOID CKT.																									
22-23-3024	A-42009-2	NONE	22-23-5026	A-42009-2A	NONE	22-23-5027	A-42009-2E	NONE	22-23-5028	A-42009-2H	NONE	22-23-5029	A-42009-2I	NONE	22-23-5030	A-42009-2J	NONE	22-23-5031	A-42009-2K	NONE	22-23-5032	A-42009-2L	NONE	22-23-5033	A-42009-2M	NONE																									
22-23-3034	A-42009-3	NONE	22-23-5036	A-42009-3A	NONE	22-23-5037	A-42009-3E	NONE	22-23-5038	A-42009-3H	NONE	22-23-5039	A-42009-3I	NONE	22-23-5040	A-42009-3J	NONE	22-23-5041	A-42009-3K	NONE	22-23-5042	A-42009-3L	NONE	22-23-5043	A-42009-3M	NONE																									
22-23-3044	A-42009-4	NONE	22-23-5046	A-42009-4A	NONE	22-23-5047	A-42009-4E	NONE	22-23-5048	A-42009-4H	NONE	22-23-5049	A-42009-4I	NONE	22-23-5050	A-42009-4J	NONE	22-23-5051	A-42009-4K	NONE	22-23-5052	A-42009-4L	NONE	22-23-5053	A-42009-4M	NONE																									
22-23-3054	A-42009-5	NONE	22-23-5056	A-42009-5A	NONE	22-23-5057	A-42009-5E	NONE	22-23-5058	A-42009-5H	NONE	22-23-5059	A-42009-5I	NONE	22-23-5060	A-42009-5J	NONE	22-23-5061	A-42009-5K	NONE	22-23-5062	A-42009-5L	NONE	22-23-5063	A-42009-5M	NONE																									
22-23-3064	A-42009-6	NONE	22-23-5066	A-42009-6A	NONE	22-23-5067	A-42009-6E	NONE	22-23-5068	A-42009-6H	NONE	22-23-5069	A-42009-6I	NONE	22-23-5070	A-42009-6J	NONE	22-23-5071	A-42009-6K	NONE	22-23-5072	A-42009-6L	NONE	22-23-5073	A-42009-6M	NONE																									
22-23-3074	A-42009-7	NONE	22-23-5076	A-42009-7A	NONE	22-23-5077	A-42009-7E	NONE	22-23-5078	A-42009-7H	NONE	22-23-5079	A-42009-7I	NONE	22-23-5080	A-42009-7J	NONE	22-23-5081	A-42009-7K	NONE	22-23-5082	A-42009-7L	NONE	22-23-5083	A-42009-7M	NONE																									
22-23-3084	A-42009-8	NONE	22-23-5086	A-42009-8A	NONE	22-23-5087	A-42009-8E	NONE	22-23-5088	A-42009-8H	NONE	22-23-5089	A-42009-8I	NONE	22-23-5090	A-42009-8J	NONE	22-23-5091	A-42009-8K	NONE	22-23-5092	A-42009-8L	NONE	22-23-5093	A-42009-8M	NONE																									
22-23-3094	A-42009-9	NONE	22-23-5096	A-42009-9A	NONE	22-23-5097	A-42009-9E	NONE	22-23-5098	A-42009-9H	NONE	22-23-5099	A-42009-9I	NONE	22-23-5100	A-42009-9J	NONE	22-23-5101	A-42009-9K	NONE	22-23-5102	A-42009-9L	NONE	22-23-5103	A-42009-9M	NONE																									
22-23-3104	A-42009-10	NONE	22-23-5106	A-42009-10A	NONE	22-23-5107	A-42009-10E	NONE	22-23-5108	A-42009-10H	NONE	22-23-5109	A-42009-10I	NONE	22-23-5110	A-42009-10J	NONE	22-23-5111	A-42009-10K	NONE	22-23-5112	A-42009-10L	NONE	22-23-5113	A-42009-10M	NONE																									
22-46-4041	A-42009-4-B	2																																																	
22-46-4042	A-42009-4-C	3																																																	
22-46-4052	A-42009-5-B	2																																																	
22-46-4053	A-42009-5-C	3																																																	
22-46-4050	A-42009-5-D	4																																																	
22-46-4051	A-42009-5-E	5																																																	
22-46-4064	A-42009-6-B	2																																																	
	A-42009-6-BC	2,3																																																	
22-46-4068	A-42009-6-D	4																																																	
22-46-4065	A-42009-6-E	5																																																	
22-46-4069	A-42009-6-F	6																																																	
22-46-4072	A-42009-7-E	5																																																	
22-46-4080	A-42009-8-D	4																																																	
22-46-4081	A-42009-8-E	5																																																	
22-46-4081	A-42009-8-E	5																																																	
22-46-4031	A-42009-3-C	3																																																	
22-46-4063	A-42009-6-DE	4,5																																																	
22-46-4062	A-42009-6-CF	3,6																																																	
22-46-4061	A-42009-6-BD	2,4																																																	
22-46-4030	A-42009-3-B	2																																																	
22-46-4066	A-42009-6-C	3																																																	
22-46-4071	A-42009-7-D	4																																																	
22-46-4067	A-42009-6-CE	3,5																																																	
22-46-4074	A-42009-7-C	3																																																	
22-46-4075	A-42009-7-F	6																																																	
22-46-4073	A-42009-7-B	2																																																	
22-46-4082	A-42009-8-H	8																																																	
22-46-4083	A-42009-8-F	6																																																	
22-46-4101	A-42009-10-1	9																																																	
22-46-4100	A-42009-10-B	2																																																	
22-46-4043	A-42009-4-D	2,5																																																	
22-46-4060	A-42009-6-BE	2,4																																																	

MOLDDED COLOR: _____
 BLANK = NATURAL
 A = BLUE
 E = GREEN
 R = RED
 H = BLACK

VOID PIN DESIGNATION
 A# #1 PIN
 B# #2 PIN
 C# #3 PIN
 ECT.

DIMENSIONS SHOWN UNLESS NOTED OTHERWISE
 UNLESS OTHERWISE SPECIFIED
 3 RADIUS
 2 RADIUS
 1 RADIUS

PART NO. 542009X2
 TITLE WAFER FRICTION LOCK ASSEMBLY
 DATE 9/11/87
 DESIGNED BY SD A-42009-4
 DRAWN BY KK
 CHECKED BY KK
 APPROVED BY KK

42009