

PLEASE CHECK WWW.MOLEX.COM FOR LATEST PART INFORMATION

Part Number: [0470191602](#)
Status: **Active**
Overview: [sim smart card](#)
Description: 2.54mm (.100") Pitch SIM Card Connector, 6 Circuits, Housing Height 1.60mm (.063"), Lead Free

Documents:

[Drawing \(PDF\)](#) [RoHS Certificate of Compliance \(PDF\)](#)
[Product Specification PS-47019-001 \(PDF\)](#)

General

Product Family	Memory Card Sockets
Series	47019
Button Type	N/A
Comments	Housing Height: 1.60mm (.063")
Component Type	Header/Socket (Host)
Overview	sim smart card
Product Name	SIM
Type	N/A

Physical

Card Detection Switch	No
Circuits (Loaded)	6
Circuits (maximum)	6
Color - Resin	Black
Durability (mating cycles max)	3,000
Ejector Button Side	No Ejector Button Present
Entry Angle	90° Angle (Side Entry), Vertical (Top Entry)
Keying to Mating Part	None
Material - Metal	Phosphor Bronze
Material - Plating Mating	Gold
Material - Plating Termination	Gold
Material - Resin	High Temperature Thermoplastic
PCB Mounting Side	Normal
PCB Retention	None
Packaging Type	Embossed Tape on Reel
Pitch - Mating Interface (in)	0.100 In
Pitch - Mating Interface (mm)	2.54 mm
Pitch - Term. Interface (in)	0.100 In
Pitch - Term. Interface (mm)	2.54 mm
Plating min: Mating (µin)	15
Plating min: Mating (µm)	0.38
Plating min: Termination (µin)	2
Plating min: Termination (µm)	0.05
Ports	1
Temperature Range - Operating	-30°C to +85°C
Termination Interface: Style	Surface Mount

Electrical

Current - Maximum per Contact	0.5A
Shielded	No
Voltage - Maximum	15V DC
Voltage Key	N/A

Solder Process Data

Duration at Max. Process Temperature (seconds)	2
------------------------------------------------	---

EU RoHS

ELV and RoHS Compliant
REACH SVHC
 Not Reviewed
Halogen-Free Status

China RoHS



Halogen-Free

Need more information on product environmental compliance?

Email productcompliance@molex.com
 For a multiple part number RoHS Certificate of Compliance, [click here](#)

Please visit the [Contact Us](#) section for any non-product compliance questions.

Search Parts in this Series

[47019Series](#)

Mates With

[Standard SIM Card](#)

Lead-free Process Capability	Reflow Capable (SMT only)
Max. Cycles at Max. Process Temperature	1
Process Temperature max. C	255

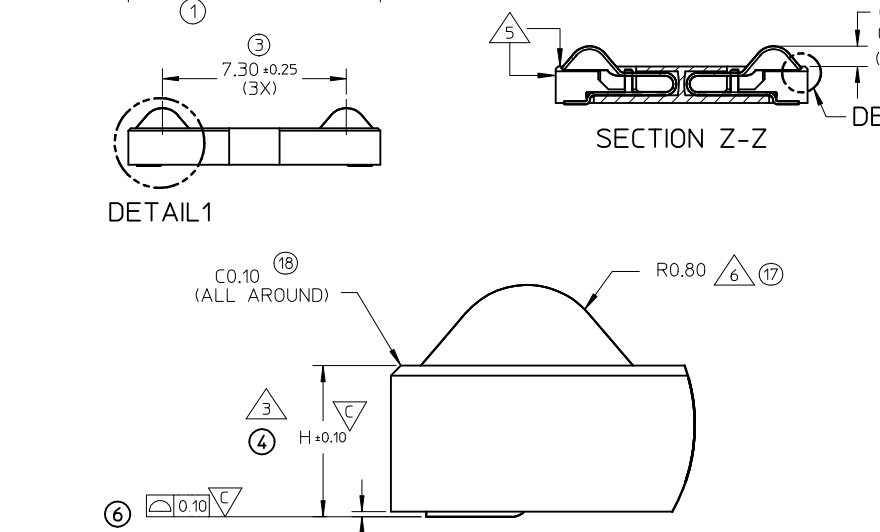
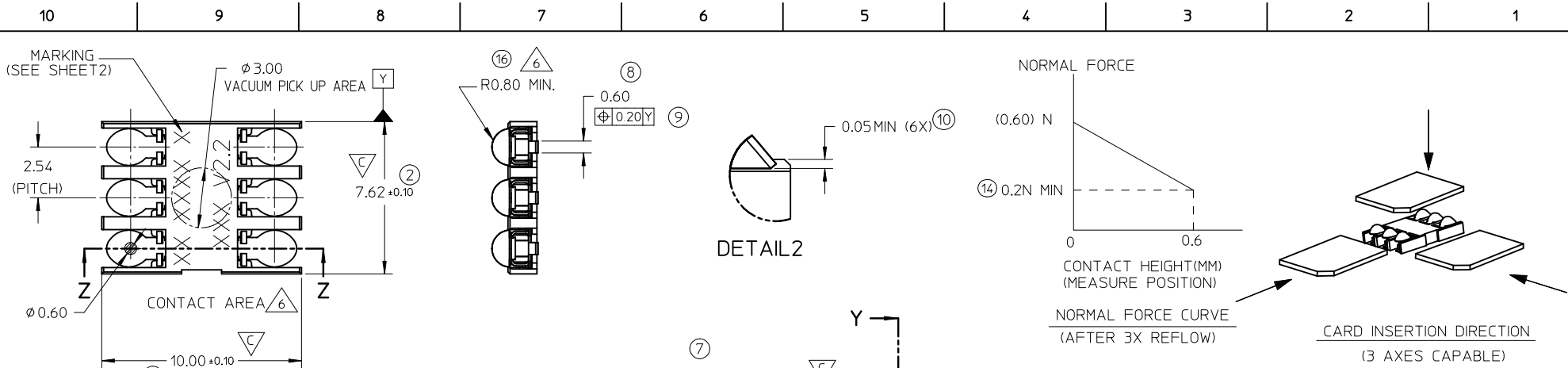
Material Info

Reference - Drawing Numbers

Packaging Specification	PK-47019-001
Product Specification	PS-47019-001
Sales Drawing	SD-47019-002

This document was generated on 05/26/2010

PLEASE CHECK WWW.MOLEX.COM FOR LATEST PART INFORMATION

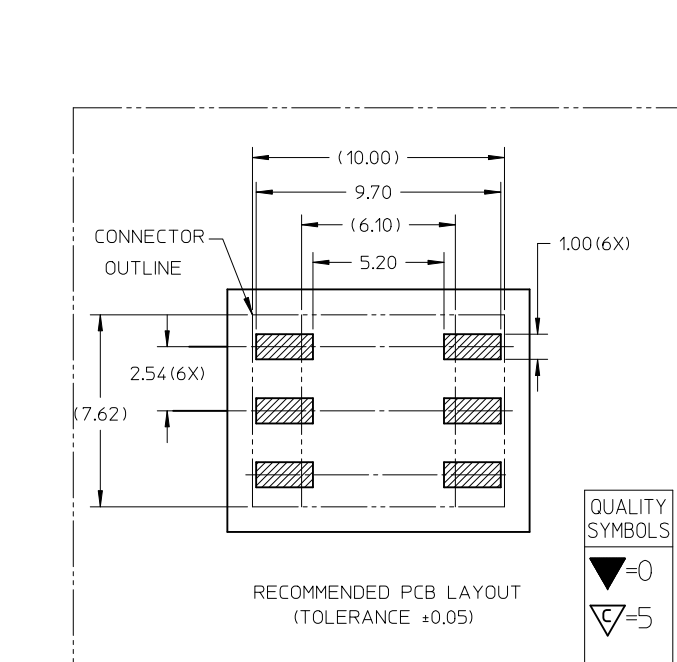
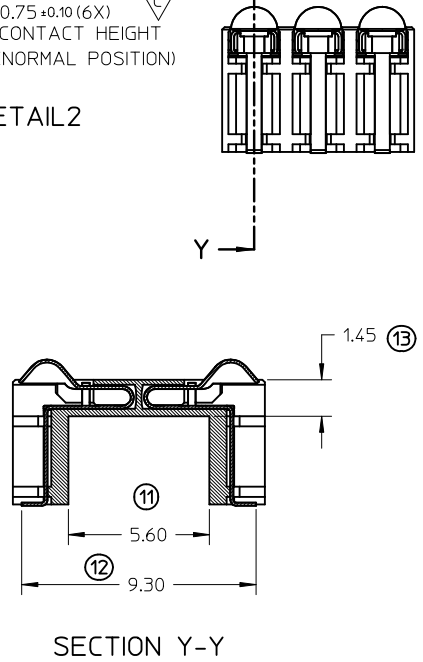


NOTES:

1 MATERIAL:
 1-1 HOUSING : LCP 30% GLASS FILL, UL94 V-0,COLOR BLACK
 1-2 TEMINAL : PHOSPHOR BRONZE 0.12MM REF THICKNESS

2 PLATING:TERMINAL:
 2-1 SIM SIDE (CONTACT AREA): 0.38 MICROMETER MIN GOLD
 2-1 SOLDER TAIL : GOLD FLASH 0.05 MICROMETER MIN
 2-3 UNDERPLATING : 2 MICROMETER NICKEL OVERALL

3 H DIMENSION MINIMUM=1.50,MAXIMUM=5.00(SEE CHART ON SHEET2)
 4 NO SHARP EDGES INTERFACING WITH THE PCB OR SIM CARD
 5 CONTACT MUST NOT EXTENDED BEYOND HOUSING EDGE DURING DEFLECTION AND MUST LOWER THAN HOUSING LEVEL AFTER 3 TIMES REFLOW
 6 MAINTAIN IN CONTACT AREA



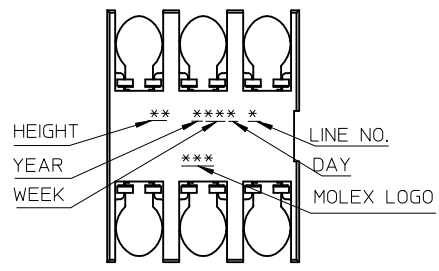
RELEASED EC NO: 58122000-03555 DRWN: JL11039 CHKD: LANDY APPR: WFDENG	2010/03/10 2010/03/10 2010/04/02	DESCRIPTION	QUALITY SYMBOLS	GENERAL TOLERANCES (UNLESS SPECIFIED)		DIMENSION STYLE		SCALE	DESIGN UNITS	THIRD ANGLE PROJECTION	
			▽=0 ▽=0 ▽=0	mm	INCH	MM ONLY	NTS	METRIC			
			4 PLACES	± ---	± ---	DRAWN BY	DATE	TITLE			
			3 PLACES	± ---	± ---	KHLIM	2009/12/18	6 CKT SCALABLE SIM CONNECTOR			
			2 PLACES	± 0.10	± ---	CHECKED BY	DATE	MOLEX INCORPORATED			
			1 PLACE	± 0.2	± ---	JXYONG	2010/01/07				
			ANGULAR ± 2 °			APPROVED BY	DATE	DOCUMENT NO. SD-47019-002			
						WFDENG	2010/03/29				
			DRAFT WHERE APPLICABLE MUST REMAIN WITHIN DIMENSIONS			MATERIAL NO.	DATE	SHEET NO. 1 OF 2			
						SEE TABLE		THIS DRAWING CONTAINS INFORMATION THAT IS PROPRIETARY TO MOLEX INCORPORATED AND SHOULD NOT BE USED WITHOUT WRITTEN PERMISSION			

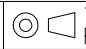
10	
9	
8	
7	
6	
5	
4	
3	
2	
1	

PART NUMBER	DIM H
470191502	1.5
470191602	1.6
470191702	1.7
470191802	1.8

HEIGHT	YEAR	WEEK	DAY	LINE NO.	MOLEX LOGO		
15--50	0--9	01--52	1--7	1--	MSH	MCH	MCD
Example 20	Example 0-2010	Example 13	Example 1	Example 2	PRODUCE IN SHANGHAI	PRODUCE IN DONG GUAN	PRODUCE IN CHENG DU

 PRODUCTION TOOL PART PRINTED DATE CODE



RELEASED EC NO: 58122000-00355 DRWN: JLU39 2010/03/10 CHKD: LANDY 2010/03/10 APPR: WFDENG 2010/04/02	QUALITY SYMBOLS	GENERAL TOLERANCES (UNLESS SPECIFIED)		DIMENSION STYLE	SCALE	DESIGN UNITS	THIRD ANGLE PROJECTION		
	$F_A=0$	mm	INCH	MM ONLY	NTS	METRIC			
	$F_C=0$	4 PLACES ± ---	± ---	DRAWN BY	DATE	TITLE			
	$F_P=0$	3 PLACES ± ---	± ---	KHLIM	2009/12/18	6 CKT SCALABLE SIM CONNECTOR			
	2 PLACES ± 0.10	± ---	CHECKED BY	DATE	MOLEX INCORPORATED				
	1 PLACE ± 0.2	± ---	JXYONG	2010/01/07	MATERIAL NO. SD-47019-002				
	ANGULAR ± 2 °		APPROVED BY	DATE	SHEET NO. 2 OF 2				
	DRAFT WHERE APPLICABLE MUST REMAIN WITHIN DIMENSIONS		WFDENG	2010/03/29	THIS DRAWING CONTAINS INFORMATION THAT IS PROPRIETARY TO MOLEX INCORPORATED AND SHOULD NOT BE USED WITHOUT WRITTEN PERMISSION				
			SEE TABLE						