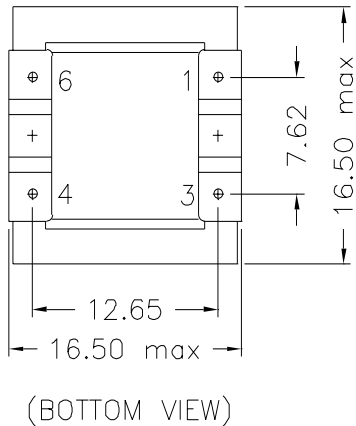
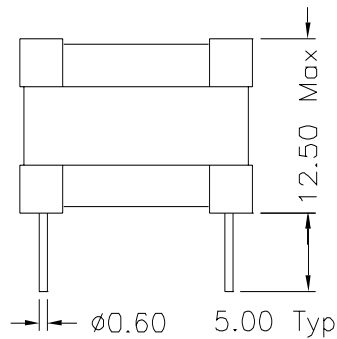
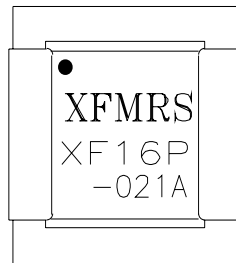
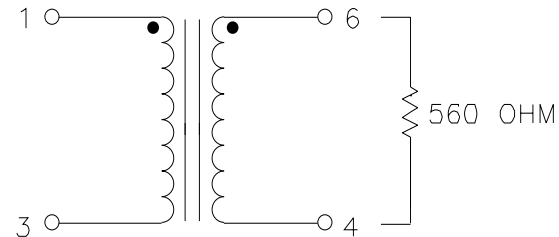


1. Mechanical Dimensions:



2. Schematic:



3. Electrical Specifications:

TURN RATIO: 1:1 $\pm 1\%$ (PIN1-3 : PIN6-4).

DCR (PIN1-3): 65 $\pm 8\%$ OHMS.

DCR (PIN6-4): 65 $\pm 8\%$ OHMS.

OCL (PIN1-3) 7.0H Min. @1Hz, 1.0V PARALLEL.

Leakage L: (Pins 1-3) 5mH Max 1KHz, 1.0V Series (Short 6-4)

INSERTION LOSS: 1.15dB Typ. @1KHz,1.0V.

RETURN LOSS: 20dB Typ 300-4000Hz (REF. 600 OHMS).

FREQ. RESPONSE: ± 0.20 dB 300-4000Hz (REF. 1KHz).

HI-POT: 3750VAC (PIN1-6).

HI-POT: 2000VAC (PIN1-Core).

DOC. REV: A/1

XFMRS Inc	Title: MODEM TRANSFORMER		
	UNLESS OTHERWISE SPECIFIED TOLERANCES: .xx ± 0.20 Dimensions in MM	P/N: XF16P-021A	REV. A
	DWN.	李清儿	Jan-26-99
	CHK.	孙小悦	Jan-26-99
	APP.	Joe Huff	Jan-26-99