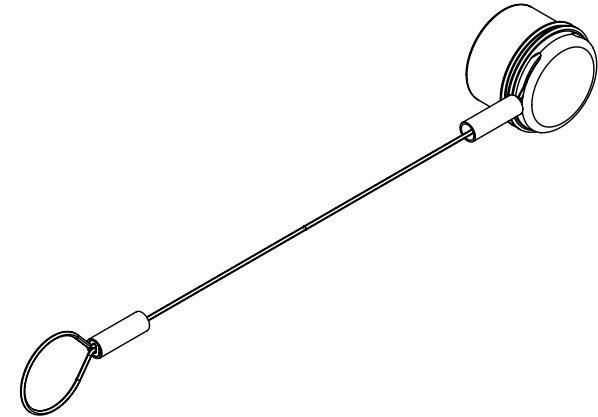
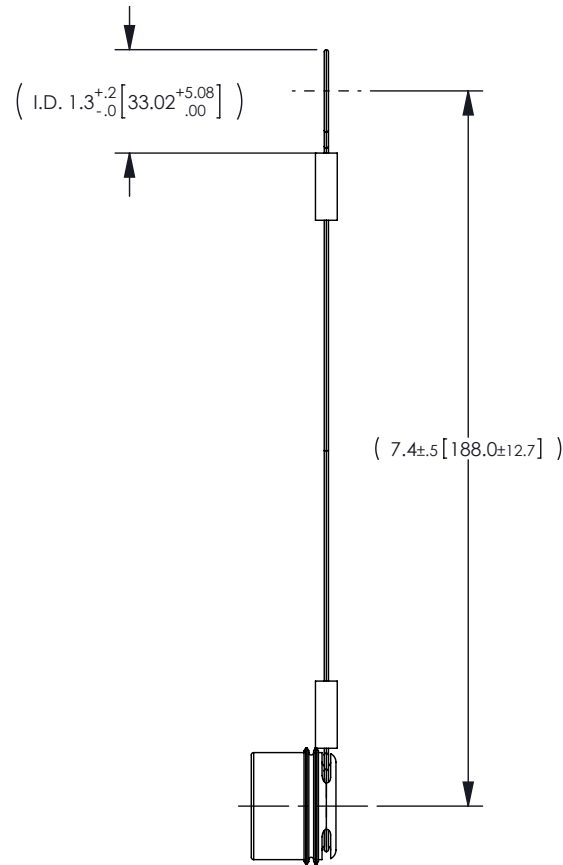


NOTES: UNLESS OTHERWISE SPECIFIED

1. MATERIAL SPECIFICATIONS:
 BOOT AND CAP: SANTOPRENE 101-55
 LANYARD AND CRIMP SLEEVE: STAINLESS STEEL
 SHRINK TUBING: POLYOLEFIN
2. REPLACEMENT ENVIRONMENTAL RUBBER CAP AND LANYARD FOR SMPTE 304 PLUG
3. FITS 7765-3-3 AND 7765-4-3, FIBER TRI-LOC SMPTE 304 PLUGS ALREADY EQUIPPED WITH ENVIRONMENTAL BOOT

REV	DESCRIPTION	BY DATE	APPD
B	REVISED PER ER26608	JDS 09/13/10	PSM



CATALOG P/N: 7760-000-00706Z

PER ASME Y14.5M-1994 UNLESS OTHERWISE SPECIFIED: DIMENSIONS ARE IN INCHES [MM] TOLERANCES: DECIMAL: .X [X.X] ± .2 [5] .XX [X.XX] ± .05 [1.3] .XXX [X.XXX] ± .XXX ANGLES: ± 2° SCALE: 1:2				 by WINCHESTER <small>ELECTRONICS</small> Winchester Electronics Corporation 62 Barnes Industrial Road North Wallingford, Connecticut 06492						
CUSTOMER SALES DRAWING				THIRD ANGLE 		FIBER TRI-LOC PLUG RUBBER CAP AND LANYARD				
DRAWN	DATE	APPROVED	DATE	APPROVED	DATE	A	SD7760-000-00706Z	SHT 1	OF 1	REV B
JJN	02/22/10	WPM	02/22/10	JF	02/22/10					