

# FL6300A

## Quasi-Resonant Current Mode PWM Controller for Lighting

### Features

- High-Voltage Startup
- Quasi-Resonant Operation
- Cycle-by-Cycle Current Limiting
- Peak-Current-Mode Control
- Leading-Edge Blanking (LEB)
- Internal Minimum  $t_{OFF}$
- Internal 5ms Soft-Start
- Over-Power Compensation
- GATE Output Maximum Voltage
- Auto-Recovery Over-Current Protection (FB Pin)
- Auto-Recovery Open-Loop Protection (FB Pin)
- $V_{DD}$  Pin and Output Voltage (DET Pin) OVP Latched
- Frequency Operation Below 100KHz

### Applications

- General LED Lighting
- Industrial, Commercial, and Residential Fixtures
- Outdoor Lighting: Street, Roadway, Parking, Construction, and Ornamental LED Lighting Fixtures

### Description

The FL6300A general lighting power controller includes a highly integrated PWM controller and provides several features to enhance the performance of flyback converters in medium- to high-power lumens applications.

The FL6300A is applied on quasi-resonant flyback converters where maximum operating frequency is below 100KHz. A built-in HV startup circuit can provide more startup current to reduce the startup time of the controller. Once the  $V_{DD}$  voltage exceeds the turn-on threshold voltage, the HV startup function is disabled to reduce power consumption. An internal valley voltage detector ensures that the power system operates at quasi-resonant operation over a wide-range of line voltage and load conditions, as well as reducing switching loss to minimize switching voltage on the drain of the power MOSFET.

To minimize standby power consumption and improve light-load efficiency, a proprietary green-mode function provides off-time modulation to decrease switching frequency and perform extended valley voltage switching to keep to a minimum switching voltage. The operating frequency is limited by minimum  $t_{OFF}$  time, which is 38 $\mu$ s to 8 $\mu$ s. FL6300A also provides many protection functions. Pulse-by-pulse current limiting ensures the fixed-peak current limit level, even when a short circuit occurs. Once an open-circuit failure occurs in the feedback loop, the internal protection circuit disables PWM output immediately. As long as  $V_{DD}$  drops below the turn-off threshold voltage, the controller also disables PWM output. The gate output is clamped at 18V to protect the power MOS from high gate-source voltage conditions. The minimum  $t_{OFF}$  time limit prevents the system frequency from being too high. If the DET pin triggers over-voltage protection (OVP), internal over-temperature protection (OTP) is triggered and the power system enters latch-mode until AC power is removed.

### Ordering Information

Part Number	Operating Temperature Range	Package	Packing Method
FL6300AMY	-40°C to +125°C	8-Lead, Small Outline Package (SOP)	Tape & Reel

### Application Diagram

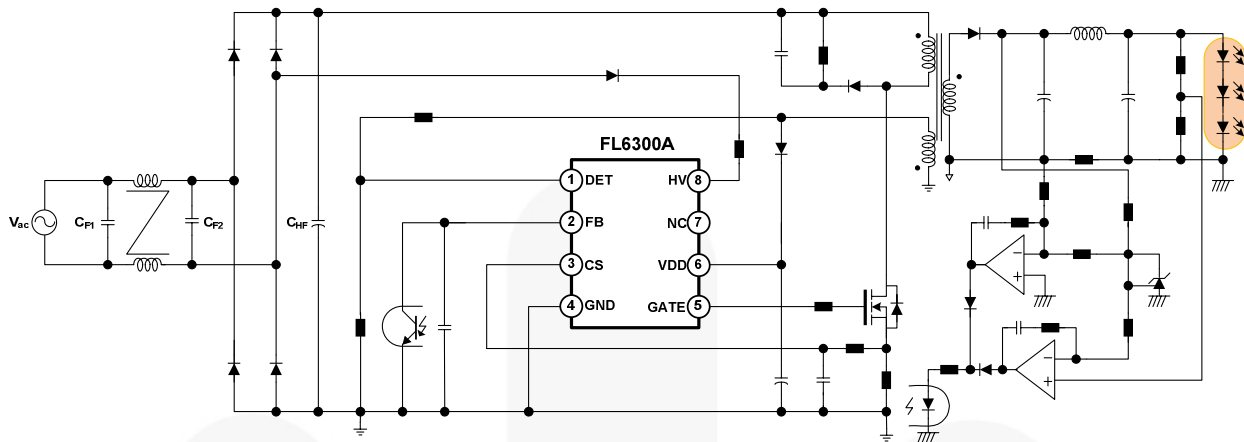


Figure 1. Typical Application Circuit for Flyback Converter

### Internal Block Diagram

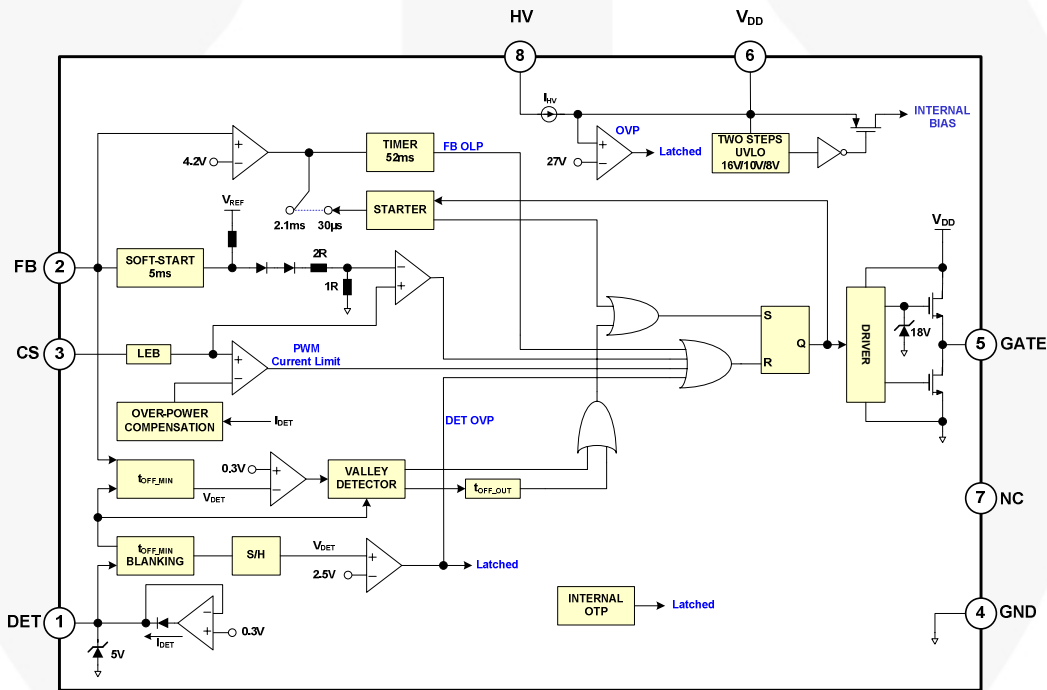
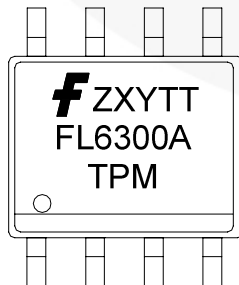


Figure 2. Functional Block Diagram

### Marking Information



- F**: Fairchild Logo
- Z**: Plant Code
- X**: Year Code
- Y**: Week Code
- TT**: Die Run Code
- T**: Package Type (M = SOP)
- P**: Y = Green Package
- M**: Manufacture Flow Code

Figure 3. Marking Diagram

## Pin Configuration

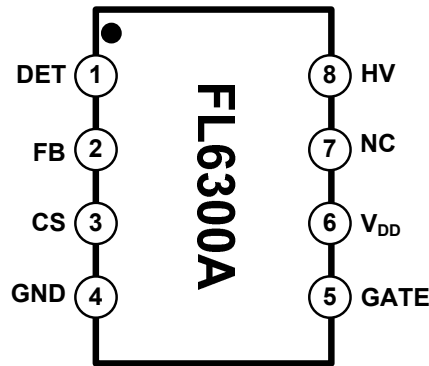


Figure 4. Pin Assignments

## Pin Definitions

Pin #	Name	Description
1	DET	<p>This pin is connected to an auxiliary winding of the transformer via resistors of the divider for the following purposes:</p> <ul style="list-style-type: none"> <li>Generates a zero-current detection (ZCD) signal once the secondary-side switching current falls to zero.</li> <li>Produces an offset voltage to compensate the threshold voltage of the peak current limit to provide a constant power limit. The offset is generated in accordance with the input voltage when PWM signal is enabled.</li> <li>Detects the valley voltage of the switching waveform to achieve the valley voltage switching and minimize the switching losses.</li> </ul> <p>A voltage comparator and a 2.5V reference voltage develop an output OVP protection. The ratio of the divider determines what output voltage to stop gate, as an optical coupler and secondary shunt regulator are used.</p>
2	FB	<p>The feedback pin should to be connected to the output of the error amplifier for achieving the voltage control loop. The FB pin should be connected to the output of the optical coupler if the error amplifier is equipped at the secondary-side of the power converter.</p> <p>For primary-side control applications, FB is applied to connect a RC network to the ground for feedback-loop compensation.</p> <p>The input impedance of this pin is a 5k<math>\Omega</math> equivalent resistance. A one-third (1/3) attenuator connected between the FB and the PWM circuit is used for the loop-gain attenuation. FL6300A performs an open-loop protection (OLP) once the FB voltage is higher than a threshold voltage (around 4.2V) for more than 55ms.</p>
3	CS	Input to the comparator of the over-current protection. A resistor senses the switching current and the resulting voltage is applied to this pin for the cycle-by-cycle current limit.
4	GND	The power ground and signal ground. A 0.1 $\mu$ F decoupling capacitor placed between V <sub>DD</sub> and GND is recommended.
5	GATE	Totem-pole output generates the PWM signal to drive the external power MOSFET. The clamped gate output voltage is 18V.
6	V <sub>DD</sub>	Power supply. The threshold voltages for startup and turn-off are 16V and 10V, respectively. The startup current is less than 20 $\mu$ A and the operating current is lower than 4.5mA.
7	NC	No connect
8	HV	High-voltage startup

## Absolute Maximum Ratings

Stresses exceeding the absolute maximum ratings may damage the device. The device may not function or be operable above the recommended operating conditions and stressing the parts to these levels is not recommended. In addition, extended exposure to stresses above the recommended operating conditions may affect device reliability. The absolute maximum ratings are stress ratings only.

Symbol	Parameter	Min.	Max.	Unit
V <sub>DD</sub>	DC Supply Voltage		30	V
V <sub>HV</sub>	HV		500	V
V <sub>H</sub>	GATE	-0.3	25.0	V
V <sub>L</sub>	V <sub>FB</sub> , V <sub>CS</sub> , V <sub>DET</sub>	-0.3	7.0	V
P <sub>D</sub>	Power Dissipation		400	mW
T <sub>J</sub>	Operating Junction Temperature		+150	°C
T <sub>STG</sub>	Storage Temperature Range	-55	+150	°C
T <sub>L</sub>	Lead Temperature (Soldering 10 Seconds)		+270	°C
ESD	Human Body Model, JEDEC:JESD22-A114		3.0	KV
	Charged Device Model, JEDEC:JESD22-C101		1.5	

### Notes:

1. Stresses beyond those listed under Absolute Maximum Ratings may cause permanent damage to the device.
2. All voltage values, except differential voltages, are given with respect to GND pin.

## Recommended Operating Conditions

The Recommended Operating Conditions table defines the conditions for actual device operation. Recommended operating conditions are specified to ensure optimal performance to the datasheet specifications. Fairchild does not recommend exceeding them or designing to Absolute Maximum Ratings.

Symbol	Parameter	Min.	Max.	Unit
T <sub>A</sub>	Operating Ambient Temperature	-40	+125	°C

## Electrical Characteristics

Unless otherwise specified,  $V_{DD}=10\sim 25V$ ,  $T_A=-40^{\circ}C\sim 125^{\circ}C$  ( $T_A=T_J$ ).

Symbol	Parameter	Conditions	Min.	Typ.	Max.	Unit
<b>V<sub>DD</sub> Section</b>						
V <sub>OP</sub>	Continuously Operating Voltage				25	V
V <sub>DD-ON</sub>	Turn-On Threshold Voltage		15	16	17	V
V <sub>DD-PWM-OFF</sub>	PWM Off Threshold Voltage		9	10	11	V
V <sub>DD-OFF</sub>	Turn-Off Threshold Voltage		7	8	9	V
I <sub>DD-ST</sub>	Startup Current	V <sub>DD</sub> =V <sub>DD-ON</sub> -0.16V GATE Open		10	20	μA
I <sub>DD-OP</sub>	Operating Current	V <sub>DD</sub> =15V, f <sub>S</sub> =60KHz, C <sub>L</sub> =2nF		4.5	5.5	mA
I <sub>DD-GREEN</sub>	Green-Mode Operating Supply Current (Average)	V <sub>DD</sub> =15V, f <sub>S</sub> =2KHz, C <sub>L</sub> =2nF			3.5	mA
I <sub>DD-PWM-OFF</sub>	Operating Current at PWM-Off Phase	V <sub>DD</sub> =V <sub>DD-PWM-OFF</sub> - 0.5V	70	80	90	μA
V <sub>DD-OVP</sub>	V <sub>DD</sub> Over-Voltage Protection (Latch-Off)		26	27	28	V
t <sub>VDD-OVP</sub>	V <sub>DD</sub> OVP Debounce Time		100	150	200	μs
I <sub>DD-LATCH</sub>	V <sub>DD</sub> OVP Latch-Up Holding Current	V <sub>DD</sub> =5V		42		μA
<b>HV Startup Current Source Section</b>						
V <sub>HV-MIN</sub>	Minimum Startup Voltage on Pin HV				50	V
I <sub>HV</sub>	Supply Current Drawn from Pin HV	V <sub>AC</sub> =90V(V <sub>DC</sub> =120V) V <sub>DD</sub> =0V	1.5		4.0	mA
I <sub>HV-LC</sub>	Leakage Current After Startup	HV=500V, V <sub>DD</sub> =V <sub>DD-OFF</sub> +1V		1	20	μA
<b>Feedback Input Section</b>						
A <sub>V</sub>	Input-Voltage to Current Sense Attenuation	A <sub>V</sub> =ΔV <sub>CS</sub> /ΔV <sub>FB</sub> , 0<V <sub>CS</sub> <0.9	1/2.75	1/3.00	1/3.25	V/V
Z <sub>FB</sub>	Input Impedance		3	5	7	KΩ
I <sub>OZ</sub>	Bias Current	FB=V <sub>OZ</sub>		1.2	2.0	mA
V <sub>OZ</sub>	Zero Duty Cycle Input Voltage		0.8	1.0	1.2	V
V <sub>FB-OLP</sub>	Open-Loop Protection Threshold Voltage		3.9	4.2	4.5	V
t <sub>D-OLP</sub>	Debounce Time for Open-Loop/Overload Protection		46	52	62	ms
t <sub>SS</sub>	Internal Soft-Start Time			5		ms

Continued on the following page...

## Electrical Characteristics (Continued)

Unless otherwise specified,  $V_{DD}=10\sim 25V$ ,  $T_A=-40^{\circ}C \sim 125^{\circ}C$  ( $T_A=T_J$ ).

Symbol	Parameter	Conditions	Min.	Typ.	Max.	Unit
<b>DET Pin OVP and Valley Detection Section</b>						
$V_{DET-OVP}$	Comparator Reference Voltage		2.45	2.50	2.55	V
$A_v$	Open-Loop Gain <sup>(3)</sup>			60		dB
Bw	Gain Bandwidth <sup>(3)</sup>			1		MHz
$V_{V-HIGH}$	Output High Voltage		4.5			V
$V_{V-LOW}$	Output Low Voltage				0.5	V
$t_{DET-OVP}$	Output OVP (Latched) Debounce Time		100	150	200	$\mu s$
$I_{DET-SOURCE}$	Maximum Source Current	$V_{DET}=0V$			1	mA
$V_{DET-HIGH}$	Upper Clamp Voltage	$I_{DET}=-1mA$			5	V
$V_{DET-LOW}$	Lower Clamp Voltage	$I_{DET}=1mA$	0.1	0.3		V
$t_{VALLEY-DELAY}$	Delay Time from Valley Signal Detected to Output Turn-On <sup>(3)</sup>			200		ns
$t_{OFF-BNK}$	Leading-Edge-Blanking Time for DET when PWM MOS Turns Off <sup>(3)</sup>			4		$\mu s$
$t_{TIME-OUT}$	Time-Out After $t_{OFF-MIN}$			9		$\mu s$
<b>Oscillator Section</b>						
$t_{ON-MAX}$	Maximum On-Time		38	45	54	$\mu s$
$t_{OFF-MIN}$	Minimum Off-Time	$V_{FB} \geq V_N$ ,		8		$\mu s$
		$V_{FB} = V_G$		38		
$V_N$	Beginning of Green-On Mode at FB Voltage Level		1.95	2.10	2.25	V
$V_G$	Beginning of Green-Off Mode at FB Voltage Level		1.0	1.2	1.4	V
$\Delta V_{FBG}$	Green-Off Mode $V_{FB}$ Hysteresis Voltage		0.05	0.10	0.20	V
$t_{STARTER}$	Start Timer (Time-Out Timer)	$V_{FB} < V_G$	1.8	2.1	2.4	ms
		$V_{FB} > V_{FB-OLP}$	25	30	45	$\mu s$
<b>Output Section</b>						
$V_{OL}$	Output Voltage Low	$V_{DD}=15V$ , $I_O=150mA$			1.5	V
$V_{OH}$	Output Voltage High	$V_{DD}=12V$ , $I_O=150mA$	7.5			V
$t_R$	Rising Time			145	200	ns
$t_F$	Falling Time			55	120	ns
$V_{CLAMP}$	Gate Output Clamping Voltage		16.7	18.0	19.3	V

Continued on the following page...

## Electrical Characteristics (Continued)

Unless otherwise specified,  $V_{DD}=10\sim 25V$ ,  $T_A=-40^{\circ}C \sim 125^{\circ}C$  ( $T_A=T_J$ ).

Symbol	Parameter	Conditions	Min.	Typ.	Max.	Unit
Current Sense Section						
$t_{PD}$	Delay to Output		20	150	200	ns
$V_{LIMIT}$	Limit Voltage on CS Pin for Over-Power Compensation	$I_{DET} < 74.41\mu A$	0.82	0.85	0.88	V
		$I_{DET}=550\mu A$	0.380	0.415	0.450	
$V_{SLOPE}$	Slope Compensation <sup>(3)</sup>	$t_{ON}=45\mu s$		0.3		V
		$t_{ON}=0\mu s$		0.1		
$t_{BNK}$	Leading-Edge-Blanking Time (MOS Turns ON)		525	625	725	ns
$V_{CS-H}$	$V_{CS}$ Clamped High Voltage once CS Pin Floating	CS Pin Floating	4.5		5.0	V
$t_{CS-H}$	Delay Time Once CS Pin Floating	CS Pin Floating		150		$\mu s$
Internal Over-Temperature Protection Section						
$T_{OTP}$	Internal Threshold Temperature for OTP <sup>(3)</sup>			+140		$^{\circ}C$
$T_{OTP-HYST}$	Hysteresis Temperature for Internal OTP <sup>(3)</sup>			+15		$^{\circ}C$

**Note:**

- This parameter, although guaranteed by design, is not tested in production.

## Typical Performance Characteristics

Graphs are normalized at  $T_A=25^\circ\text{C}$ .

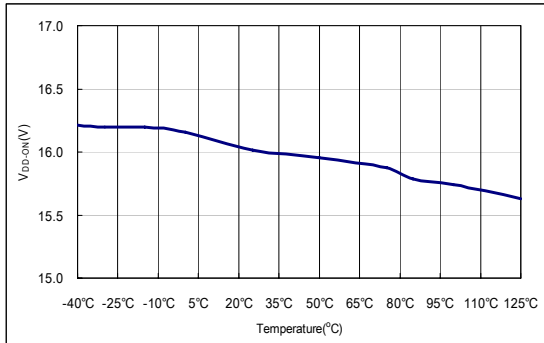


Figure 5. Turn-On Threshold Voltage

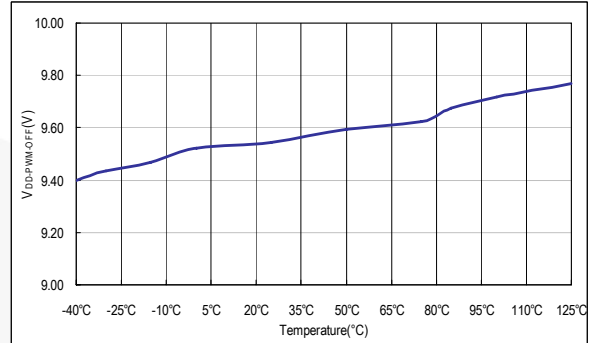


Figure 6. PWM-Off Threshold Voltage

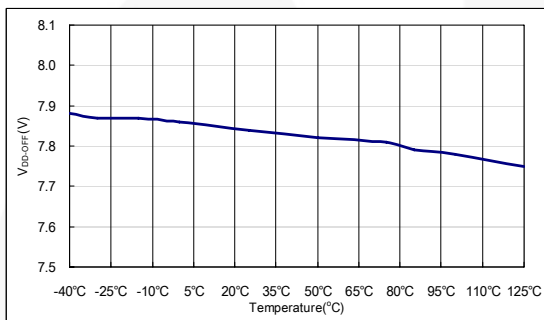


Figure 7. Turn-Off Threshold Voltage

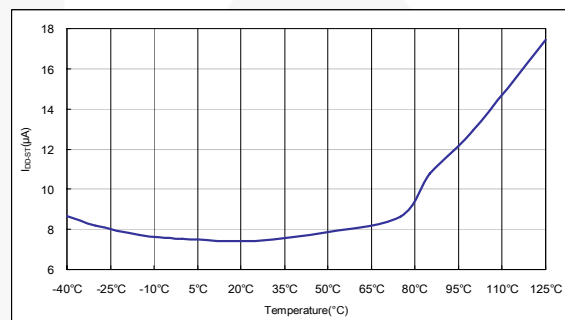


Figure 8. Startup Current

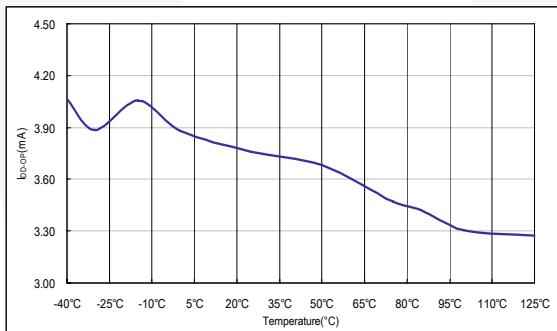


Figure 9. Operating Current

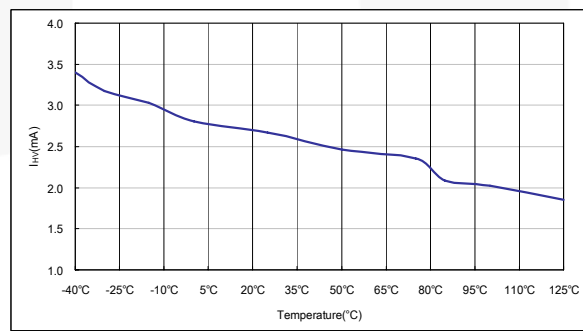


Figure 10. Supply Current Drawn From HV Pin

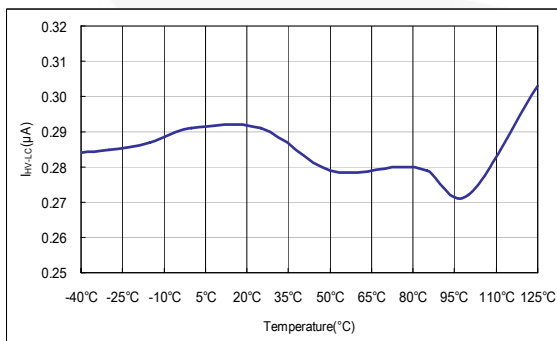


Figure 11. Leakage Current After Startup

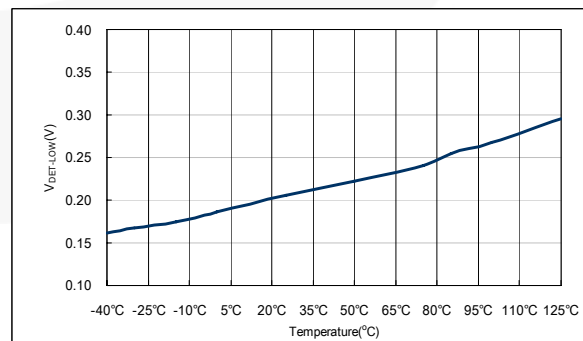


Figure 12. Lower Clamp Voltage



### Typical Performance Characteristics (Continued)

These characteristic graphs are normalized at  $T_A = 25^\circ\text{C}$ .

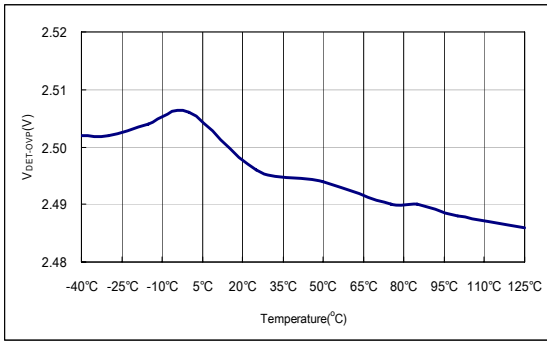


Figure 13. Comparator Reference Voltage

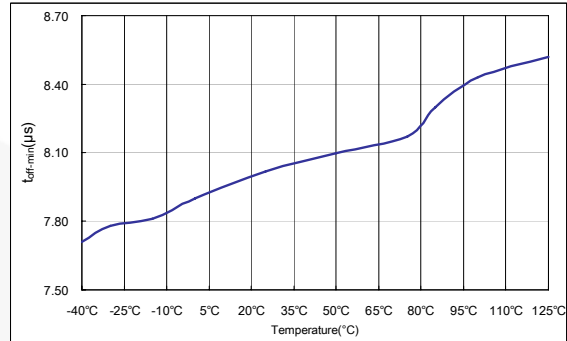


Figure 14. Minimum Off Time ( $V_{FB} > V_N$ )

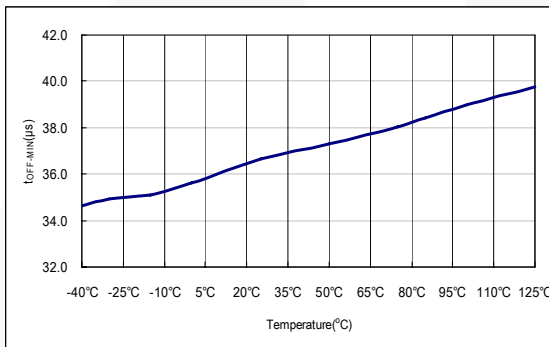


Figure 15. Minimum Off Time ( $V_{FB} = V_G$ )

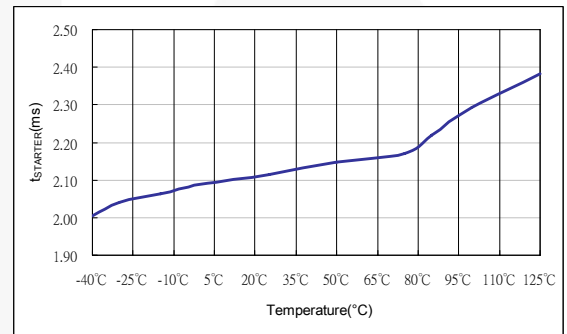


Figure 16. Start Timer ( $V_{FB} < V_G$ )

## Operation Description

The FL6300A PWM controller integrates features to enhance the performance of flyback converters. An internal valley voltage detector ensures Quasi-Resonant (QR) operation across a wide range of line voltage.

### Startup Current

For startup, the HV pin is connected to the line input or bulk capacitor through an external diode and resistor,  $R_{HV}$ , which are recommended as 1N4007 and 100k $\Omega$ . Typical startup current drawn from the HV pin is 1.2mA and it charges the hold-up capacitor through the diode and resistor. When the  $V_{DD}$  voltage level reaches  $V_{DD-ON}$ , the startup current switches off. At this point, the  $V_{DD}$  capacitor only supplies the FL6300A to maintain  $V_{DD}$  until the auxiliary winding of the main transformer provides the operating current.

### Valley Detection

The DET pin is connected to an auxiliary winding of the transformer via resistors of the divider to generate a valley signal once the secondary-side switching current discharges to zero. It detects the valley voltage of the switching waveform to achieve the valley voltage switching. This ensures QR operation, minimizes switching losses, and reduces EMI. Figure 17 shows divider resistors  $R_{DET}$  and  $R_A$ .  $R_{DET}$  is recommended as 150k $\Omega$  to 220k $\Omega$  to achieve valley voltage switching. When  $V_{AUX}$  (in Figure 17) is negative, the DET pin voltage is clamped to 0.3V.

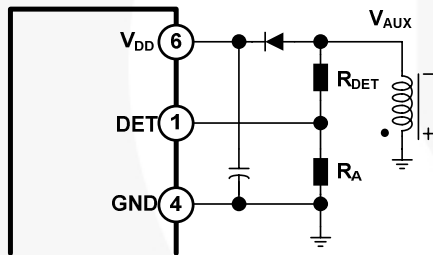


Figure 17. Valley Detect Section

The internal timer (minimum  $t_{OFF}$ ) prevents gate retriggering within 8 $\mu$ s after the gate signal going-LOW transition. The minimum  $t_{OFF}$  limit prevents system frequency being too high. Figure 18 shows a typical drain voltage waveform with first valley switching.

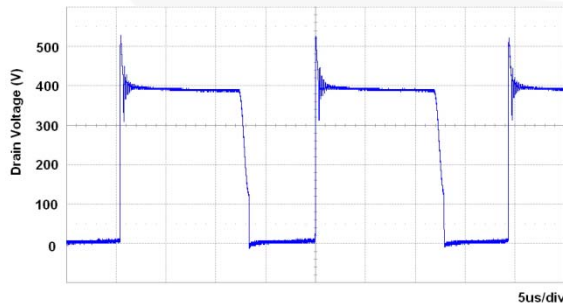


Figure 18. First Valley Switching

### Green-Mode Operation

The proprietary green mode provides off-time modulation to linearly decrease the switching frequency under light-load conditions.  $V_{FB}$ , which is derived from the voltage feedback loop, is taken as the reference. In Figure 19, once  $V_{FB}$  is lower than  $V_N$ ,  $t_{OFF-MIN}$  increases linearly with lower  $V_{FB}$ . The valley voltage detection signal does not start until  $t_{OFF-MIN}$  finishes. Therefore, the valley-detect circuit is active until  $t_{OFF-MIN}$  finishes, which decreases the switching frequency and provides extended valley voltage switching. However, in very light-load condition, it might fail to detect the valley voltage after the  $t_{OFF-MIN}$  expires. Under this condition, an internal  $t_{TIME-OUT}$  signal initiates a new cycle after a 9 $\mu$ s delay. Figure 20 and Figure 21 show the two conditions.

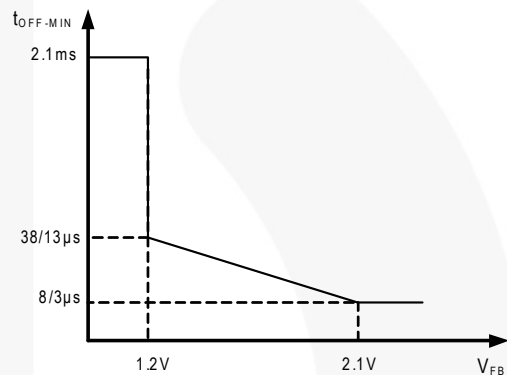


Figure 19.  $V_{FB}$  vs.  $t_{OFF-MIN}$  Curve

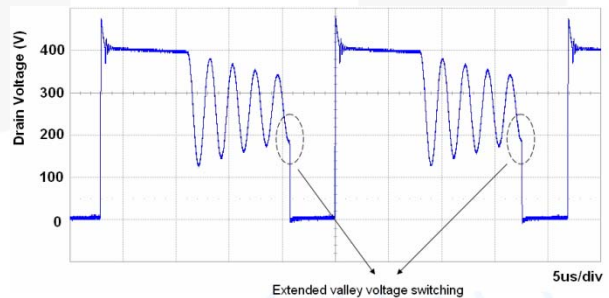


Figure 20. QR Operation in Extended Valley Voltage Detection Mode

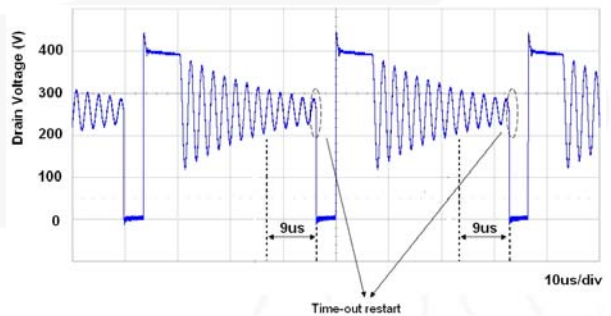


Figure 21. Internal  $t_{TIME-OUT}$  Initiates New Cycle After Failure to Detect Valley Voltage

### Current Sensing and PWM Current Limiting

Peak-current-mode control is utilized to regulate output voltage and provide pulse-by-pulse current limiting. The switch current is detected by a sense resistor into the CS pin. The PWM duty cycle is determined by this current-sense signal and  $V_{FB}$ . When the voltage on CS reaches around  $V_{LIMIT}=(V_{FB}-1.2)/3$ , the switch cycle is terminated immediately.  $V_{LIMIT}$  is internally clamped to a variable voltage around 0.85V for output power limit.

### Leading-Edge Blanking (LEB)

Each time the power MOSFET switches on, a turn-on spike occurs on the sense resistor. To avoid premature termination of the switching pulse, lead-edge blanking time is built in. During the blanking period, the current limit comparator is disabled; it cannot switch off the gate driver.

### Under-Voltage Lockout (UVLO)

The turn-on, PWM-off, and turn-off thresholds are fixed internally at 16/10/8V, respectively. During startup, the startup capacitor must be charged to 16V through the startup resistor to enable the IC. The hold-up capacitor continues to supply  $V_{DD}$  until energy can be delivered from the auxiliary winding of the main transformer.  $V_{DD}$  must not drop below 10V during this startup process. This UVLO hysteresis window ensures that hold-up capacitor is adequate to supply  $V_{DD}$  during startup.

### Gate Output

The BiCMOS output stage is a fast totem-pole gate driver. Cross conduction has been avoided to minimize heat dissipation, increase efficiency, and enhance reliability. The output driver is clamped by an internal 18V Zener diode to protect power MOSFET transistors against undesired over-voltage gate signals.

### Over-Power Compensation

To compensate for the variation of a wide AC input range, the DET pin produces an offset voltage to compensate the threshold voltage of the peak current limit for a constant-power limit. The offset is generated in accordance with the input voltage when PWM signal is enabled. This results in a lower current limit at high-line inputs than low-line inputs. At fixed-load condition, the CS limit is higher when the value of  $R_{DET}$  is higher.  $R_{DET}$  also affects the H/L line constant power limit.

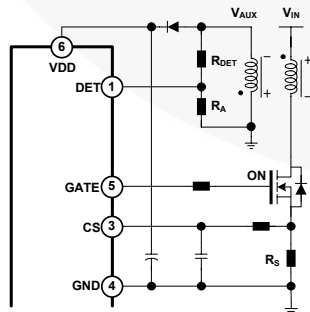


Figure 22. H/L Line Constant Power Limit Compensated by DET Pin

### $V_{DD}$ Over-Voltage Protection

$V_{DD}$  over-voltage protection prevents damage due to abnormal conditions. Once the  $V_{DD}$  voltage is over the  $V_{DD}$  over-voltage protection voltage ( $V_{DD-OVP}$ ) and lasts for  $t_{VDDOVP}$ , the PWM pulse is disabled until the  $V_{DD}$  voltage drops below the UVLO, then starts again.

### Output Over-Voltage Protection

The output over-voltage protection works by the sampling voltage, as shown in Figure 23, after switch-off sequence. A 4 $\mu$ s blanking time ignores the leakage inductance ringing. A voltage comparator and a 2.5V reference voltage develop an output OVP protection. The ratio of the divider determines the sampling voltage of the stop gate, as an optical coupler and secondary shunt regulator are used. If the DET pin OVP is triggered, the power system enters latch-mode until AC power is removed.

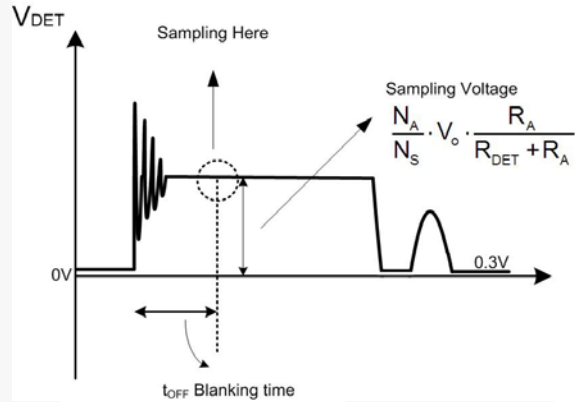


Figure 23. Voltage Sampled After 4 $\mu$ s Blanking Time After Switch-Off Sequence

### Short-Circuit and Open-Loop Protection

The FB voltage increases every time the output of the power supply is shorted or overloaded. If the FB voltage remains higher than a built-in threshold for longer than  $t_{D-OLP}$ , PWM output is turned off. As PWM output is turned-off, the supply voltage  $V_{DD}$  begins decreasing.

When  $V_{DD}$  goes below the PWM-off threshold of 10V,  $V_{DD}$  decreases to 8V, then the controller is totally shut down.  $V_{DD}$  is charged up to the turn-on threshold voltage of 16V through the startup resistor until PWM output is restarted. This protection feature continues as long as the overloading condition persists. This prevents the power supply from overheating due to overloading.

Physical Dimensions

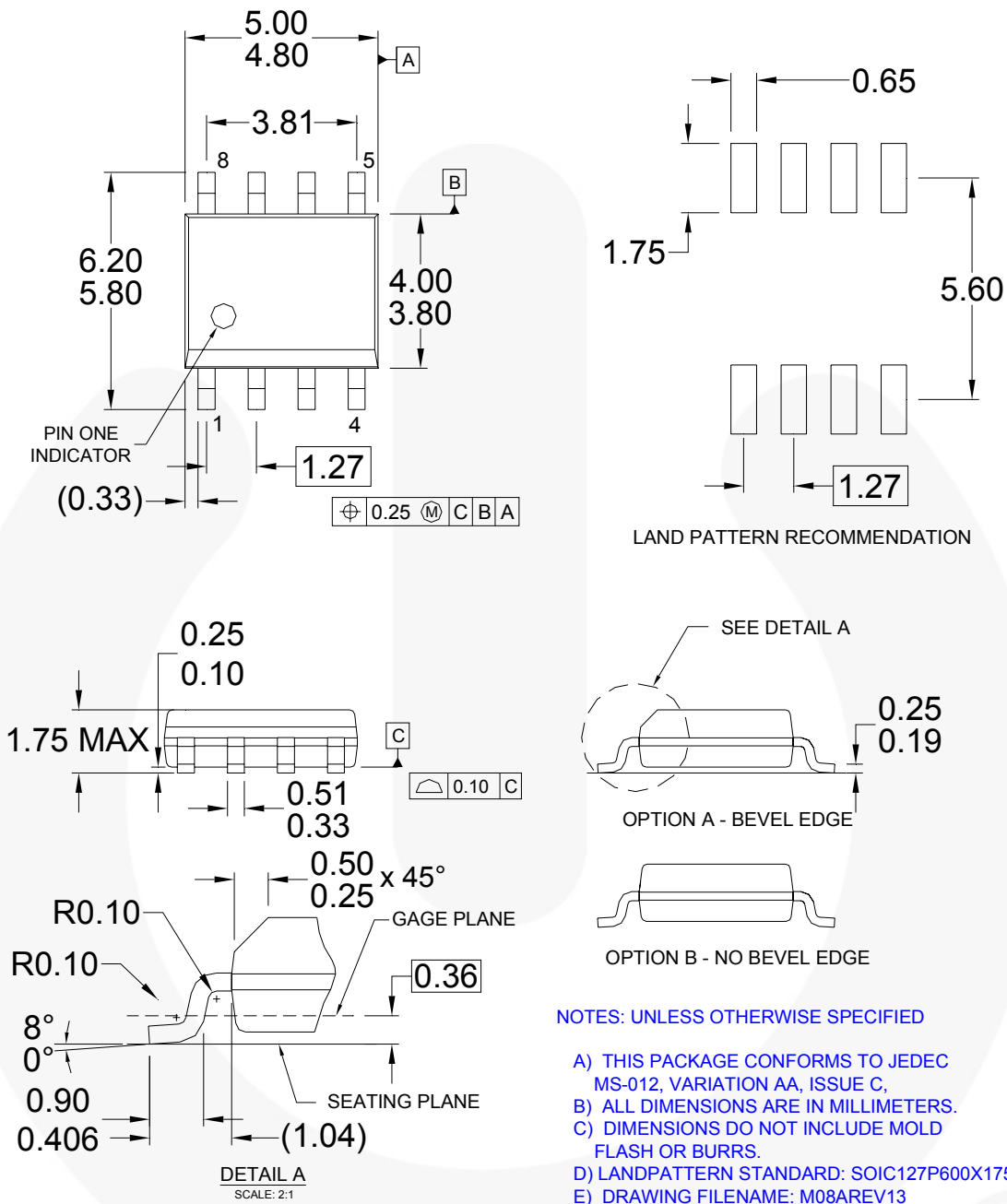


Figure 24. 8-Pin Small Outline Package (SOP)






Package drawings are provided as a service to customers considering Fairchild components. Drawings may change in any manner without notice. Please note the revision and/or date on the drawing and contact a Fairchild Semiconductor representative to verify or obtain the most recent revision. Package specifications do not expand the terms of Fairchild's worldwide terms and conditions, specifically the warranty therein, which covers Fairchild products.

Always visit Fairchild Semiconductor's online packaging area for the most recent package drawings:  
<http://www.fairchildsemi.com/packaging/>.



**TRADEMARKS**

The following includes registered and unregistered trademarks and service marks, owned by Fairchild Semiconductor and/or its global subsidiaries, and is not intended to be an exhaustive list of all such trademarks.

- |   |   |   |   |
|---|---|---|---|
| AccuPower™  | F-PFST™   | PowerTrench®  | The Power Franchise®  |
| Auto-SPM™   | FRFET®  | PowerXS™  | The Right Technology for Your Success™  |
| Build it Now™   | Global Power Resource™  | Programmable Active Droop™  | <b>the power franchises</b>   |
| CorePLUS™   | Green FPS™  | QFET®   | TinyBoost™  |
| CorePOWER™  | Green FPS™ e-Series™  | QST™  | TinyBuck™   |
| CROSSVOLT™  | Gmax™   | Quiet Series™   | TinyCalc™   |
| CTL™  | GTO™  | RapidConfigure™   | TinyLogic®  |
| Current Transfer Logic™   | IntelliMAX™   |  ™ | TINYOPTO™   |
| DEUXPEED®   | ISOPLANAR™  | Saving our world, 1mW/W/kW at a time™   | TinyPower™  |
| Dual Cool™  | MegaBuck™   | SignalWise™   | TinyPWM™  |
| EcoSPARK®   | MICROCOUPLER™   | SmartMax™   | TinyWire™   |
| EfficientMax™   | MicroFET™   | SMART START™  | TriFault Detect™  |
| ESBC™   | MicroPak™   | SPM®  | TRUECURRENT™*   |
|  ™ | MicroPak2™  | STEALTH™  | μSerDes™  |
| Fairchild®  | MillerDrive™  | SuperFET®   |  ™ |
| Fairchild Semiconductor®  | MotionMax™  | SuperSOT™.3   | UHC®  |
| FACT Quiet Series™  | Motion-SPM™   | SuperSOT™.6   | Ultra FRFET™  |
| FACT®   | OptoHIT™  | SuperSOT™.8   | UniFET™   |
| FAST®   | OPTOLOGIC®  | SupreMOS®   | VCM™  |
| FastvCore™  | OPTOPLANAR®   | SyncFET™  | VisualMax™  |
| FETBench™   |  ™ | Sync-Lock™  | XS™   |
| FlashWriter®*   | PDP SPM™  |  ™ |   |
| FPST™   | Power-SPM™  |   |   |

\* Trademarks of System General Corporation, used under license by Fairchild Semiconductor.

**DISCLAIMER**

FAIRCHILD SEMICONDUCTOR RESERVES THE RIGHT TO MAKE CHANGES WITHOUT FURTHER NOTICE TO ANY PRODUCTS HEREIN TO IMPROVE RELIABILITY, FUNCTION, OR DESIGN. FAIRCHILD DOES NOT ASSUME ANY LIABILITY ARISING OUT OF THE APPLICATION OR USE OF ANY PRODUCT OR CIRCUIT DESCRIBED HEREIN; NEITHER DOES IT CONVEY ANY LICENSE UNDER ITS PATENT RIGHTS, NOR THE RIGHTS OF OTHERS. THESE SPECIFICATIONS DO NOT EXPAND THE TERMS OF FAIRCHILD'S WORLDWIDE TERMS AND CONDITIONS, SPECIFICALLY THE WARRANTY THEREIN, WHICH COVERS THESE PRODUCTS.

**LIFE SUPPORT POLICY**

FAIRCHILD'S PRODUCTS ARE NOT AUTHORIZED FOR USE AS CRITICAL COMPONENTS IN LIFE SUPPORT DEVICES OR SYSTEMS WITHOUT THE EXPRESS WRITTEN APPROVAL OF FAIRCHILD SEMICONDUCTOR CORPORATION.

As used herein:

- Life support devices or systems are devices or systems which, (a) are intended for surgical implant into the body or (b) support or sustain life, and (c) whose failure to perform when properly used in accordance with instructions for use provided in the labeling, can be reasonably expected to result in a significant injury of the user.
- A critical component in any component of a life support, device, or system whose failure to perform can be reasonably expected to cause the failure of the life support device or system, or to affect its safety or effectiveness.

**ANTI-COUNTERFEITING POLICY**

Fairchild Semiconductor Corporation's Anti-Counterfeiting Policy. Fairchild's Anti-Counterfeiting Policy is also stated on our external website, [www.fairchildsemi.com](http://www.fairchildsemi.com), under Sales Support.

Counterfeiting of semiconductor parts is a growing problem in the industry. All manufacturers of semiconductor products are experiencing counterfeiting of their parts. Customers who inadvertently purchase counterfeit parts experience many problems such as loss of brand reputation, substandard performance, failed applications, and increased cost of production and manufacturing delays. Fairchild is taking strong measures to protect ourselves and our customers from the proliferation of counterfeit parts. Fairchild strongly encourages customers to purchase Fairchild parts either directly from Fairchild or from Authorized Fairchild Distributors who are listed by country on our web page cited above. Products customers buy either from Fairchild directly or from Authorized Fairchild Distributors are genuine parts, have full traceability, meet Fairchild's quality standards for handling and storage and provide access to Fairchild's full range of up-to-date technical and product information. Fairchild and our Authorized Distributors will stand behind all warranties and will appropriately address any warranty issues that may arise. Fairchild will not provide any warranty coverage or other assistance for parts bought from Unauthorized Sources. Fairchild is committed to combat this global problem and encourage our customers to do their part in stopping this practice by buying direct or from authorized distributors.

**PRODUCT STATUS DEFINITIONS**

**Definition of Terms**

Datasheet Identification	Product Status	Definition
Advance Information	Formative / In Design	Datasheet contains the design specifications for product development. Specifications may change in any manner without notice.
Preliminary	First Production	Datasheet contains preliminary data; supplementary data will be published at a later date. Fairchild Semiconductor reserves the right to make changes at any time without notice to improve design.
No Identification Needed	Full Production	Datasheet contains final specifications. Fairchild Semiconductor reserves the right to make changes at any time without notice to improve the design.
Obsolete	Not In Production	Datasheet contains specifications on a product that is discontinued by Fairchild Semiconductor. The datasheet is for reference information only.

Rev. I51