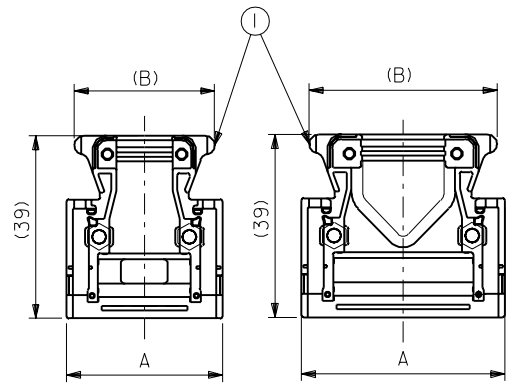
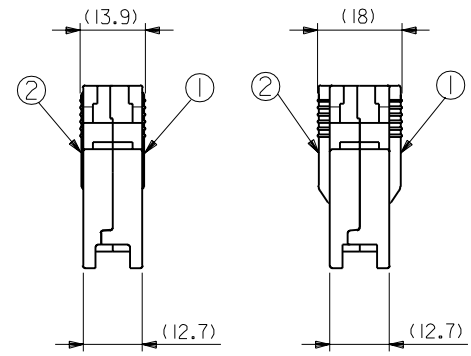


DWG. NO. SD-54331-**** I



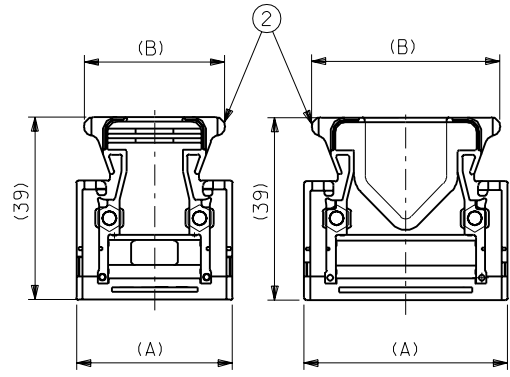
14,20,26 極形状
(SCALE:1-1)

36.50 極形状
(SCALE:1-1)



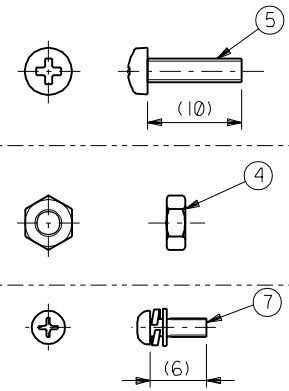
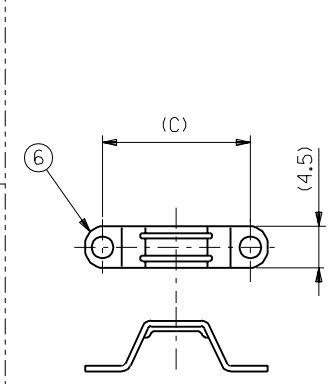
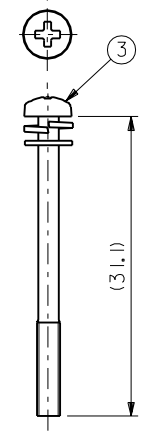
CIRCUIT 14,20,26 極形状
(SCALE:1-1)

CIRCUIT 36.50 極形状
(SCALE:1-1)



14,20,26 極形状
(SCALE:1-1)

36.50 極形状
(SCALE:1-1)



No.	DESCRIPTION	MATERIAL	QUANTITY	NOTES
①	CABLE COVER (A)	ALUMINUM DIE CAST	1	NI PLATING
②	CABLE COVER (B)	ALUMINUM DIE CAST	1	NI PLATING
③	CROSS RECESSED HEAD SCREW	STEEL	2	M2.5
④	HEXAGON NUT	STEEL	2	M2.5
⑤	CROSS RECESSED HEAD SCREW	STEEL	2	M2.5X10
⑥	CRAMP	SPCC-SD	1	t=0.6
⑦	CROSS RECESSED HEAD SCREW	STEEL	2	M2X6

ø 16 MAX.	58546-0680	58545-0680	58548-5000	23	60.48	63.78	54331-0681	68
	58546-0500	58545-0500			49.05	52.35	54331-0501	50
	58546-0360	58545-0360			40.16	43.46	54331-0361	36
ø 12 MAX.	58546-0260	58545-0260	58548-2000	15.8	33.81	37.11	54331-0261	26
	58546-0200	58545-0200			30	33.3	54331-0201	20
ø 8 MAX.	58546-0140	58545-0140	58548-1400	12	26.19	29.49	54331-0141	14
ケーブル外覆仕上り径 CABLE DIA.	CABLE COVER (B)	CABLE COVER (A)	CRAMP	C	B	A	製品番号 ENG.No.	極数 CKT

注)
NOTE.

1.ねじ締め付ナトルク : ケース用 (M2.5x10) : 5~5.5Kgf・cm
 Recommended screw tightening torque (For case ass'y)
 ケーブルクランプ用 (M2x6) : 3~3.5Kgf・cm
 (For cable cramp)
 リセプタクル固定用 (M2.5x31.1) : 3~3.5Kgf・cm
 (For fixed with receptacle conn.)

角度 ANGLE	±3°	公差 TOLERANCES	記号 LTR	変更内容 REVISION RECORD	DR. 日付 DATE	CHK. 日付 DATE	APP'D BY 承認者	CHK'D BY 検査者	材料 MATERIAL	SCALE 2-1
30°以上 OVER	+0.3								SEE TABLE	DRAWN BY M.ISOGAYA CHK'D BY S. Ishimaru / Y. Ota
10°以上 30°未満 UNDER	+0.25									
10°未満 UNDER	+0.2									

材料 MATERIAL: SEE TABLE

仕上げ FINISH: #

適用電線範囲 WIRE RANGE: #

被覆外径 INS. RANGE: #

DWG. NO. SD-54331-**** I

REV E

モレックス MOLEX-JAPAN CO.,LTD. 日本モレックス株式会社

REVISE ONLY ON CAD SYSTEM

TITLE 名称: 1.27mm PITCH 1/0 CONN. CABLE HS'G ASS'Y (SCREW LOCK TYPE)